



**EASYMEG**

**Horizontal  
Installation  
Instructions**

**ABET LAMINATI**

Thank you for choosing EASY MEG!

EASY MEG is part of the MEG (Material Exterior Grade) product family by ABET LAMINATI. It is a product suitable for facade cladding, designed to facilitate the installation of planks on medium to large surfaces.

These instructions contain all the information you need to use the product to achieve a professional result correctly and safely. Please read this information carefully before you start using the product.

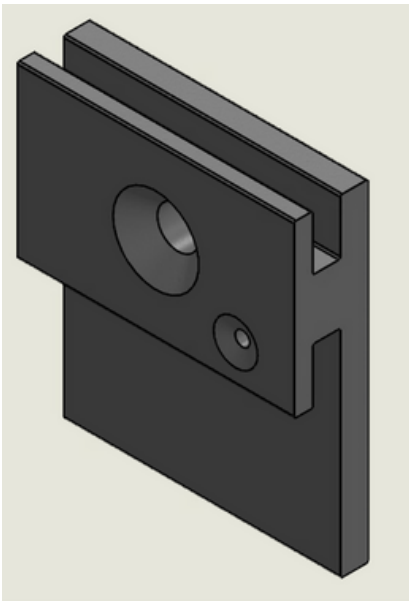
For the latest product and technical information, visit [www.abetlaminati.com](http://www.abetlaminati.com).

## **Attention**

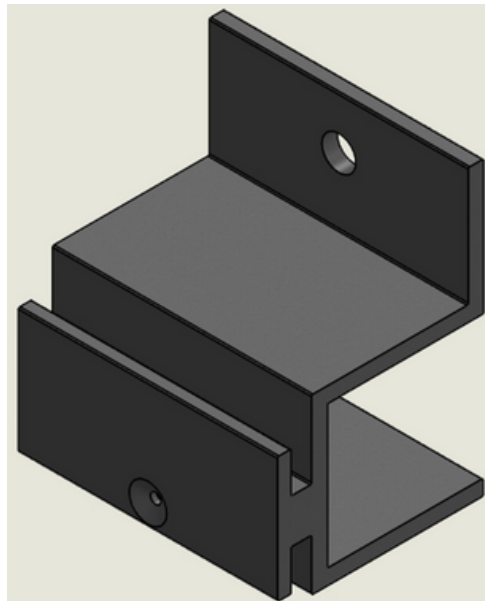
The product is for professional installers. Any use other than that declared is considered inappropriate. ABET provides general guidance and all testing, regulatory and design data for informational purposes only and recommends that clients, architects and project managers seek independent advice from a certified professional and/or engineer regarding application and installation as well as compliance with design requirements, codes, laws and applicable regulations and testing standards. Please check local building codes and design requirements to ensure proper use of the product. This document is designed to provide general recommendations only.

## Packaging Contents

1. Planks - Dimensions: 120" x 8.189" x 0.315"
2. Anodized Aluminum Clip
  - a. Flush Clip - Dimensions: (1.18" x 1.41")
  - b. 1" Standoff Clip - Dimensions: (1.68" x 1.5")
3. Fastening Screws
  - a. Wood Screws - Dimensions: (#8-15 x 1" Flat Countersunk Head Phillips Drive Sharp Point or Equivalent
  - b. Metal Screws - Dimensions: (#8-18 x 1" Phillips Drive Flat Head – 410 Stainless Steel Self Drilling) or Equivalent
4. Positioning Tool Set Thickness: (1/16") or 1 mm
5. Set Point Nail: #17 x 1" wire nail



Flush Clip (2a)



1" Stand Off Clip (2b)

## **Accessories (Not Included in Packaging)**

1. Lateral or Corner Flashings\*
2. Color Matched Screws\*\*

\*All flashings and trims are provided by others and are available upon request

\*\*Color Matched Screws are provided by others and are available upon request

## **Additional Requirements**

1. Substructure
  - a. Wood - EPDM Rubber Weatherproofing Material is recommended
  - b. Extruded Structural Aluminum - Minimum 0.09-inches 6005 T5 or equivalent
  - c. Steel - Minimum 16-Gauge G90 Galvanized or equivalent

**2. Peel Coat must be removed from BOTH sides of the plank prior to installation.**

## General Installation Instructions

### 1. Ventilation Requirements

- a. ABET requires the cavity depth between the wall or insulation and the cladding to be 1" (25mm) to allow for ambient air flow and proper moisture wicking.

### 2. Substructure

- a. EASY MEG can be installed on various types of substructures:
  - Wood** - ABET recommends the use of EPDM Weather proofing material at least the width of the vertical furring.
  - Extruded Aluminum** - Minimum 0.09" 6005 T5 or equivalent
  - Steel** - Minimum 16-Gauge G90 Galvanized or equivalent
- b. Substructure spacing should not exceed 24" on center
- c. Furrings should have a minimum width of 1-3/16" to accommodate one flush clip.

### 3. Clip

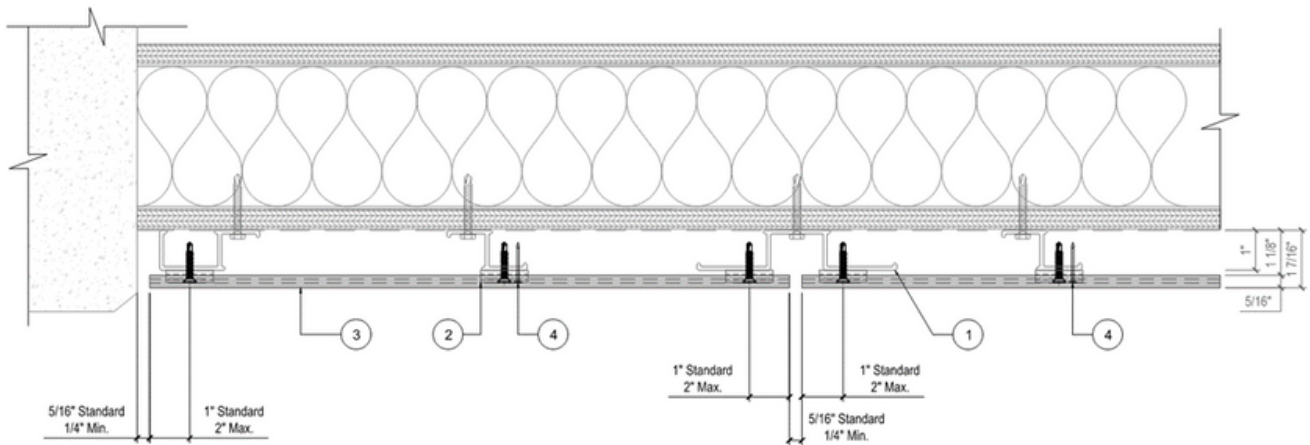
- a. Distance between clips cannot exceed 24" on center
- b. First row of clips should be positioned with a level or laser tool
- c. When using the flush clip, the first row should be mounted with the backflange point upward. On all subsequent rows the clips should be mounted with the back flange facing downward.
- d. Use the Positioning Tool when mounting clips to ensure the (1/16") space between the clip and plank is maintained to allow for hygrothermal expansion and contraction of the plank.

#### **4. Screws**

- a. The screws that are provided in the EASY MEG Packaging are for wood sub framing. If you are not using wood sub framing please provide adapted screws based on the material being used.
- b. Please contact: [sales@abetlaminati.com](mailto:sales@abetlaminati.com) for any questions concerning screws.

#### **5. Top Closing**

- a. Measure the length and width of the area to be covered and field cut the planks down to the proper sizes accordingly.
- b. Field Drill planks to allow for through fastening with a color matched screw. Holes should be drilled 1" away from the edge of the panel and spaced to a Maximum of 24" O.C. All holes should be drilled to 5/16" EXCEPT for the centermost hole which should be drilled at 7/32" to create a fixed point.
- c. To maintain that the planks remain flush and plumb a shim may be needed between the plank and furring. (Shims provided by Installer)
- d. If adding a coping trim, Abet requires that a 3/8" gap off the face of the plank be maintained to allow for proper ventilation
- e. Please Reference Detail Set for more information.



### Fixing Details (Plan View)

\*Please Reference the EASY MEG Horizontal Detail Set for Complete Details\*

1.Substructure

2. Anodized Aluminum Flush Clip

3. EASY MEG Plank

4.Set Point Nail at Center Clip on Top of Plank

a. One Required Per Plank (not to exceed one per plank)

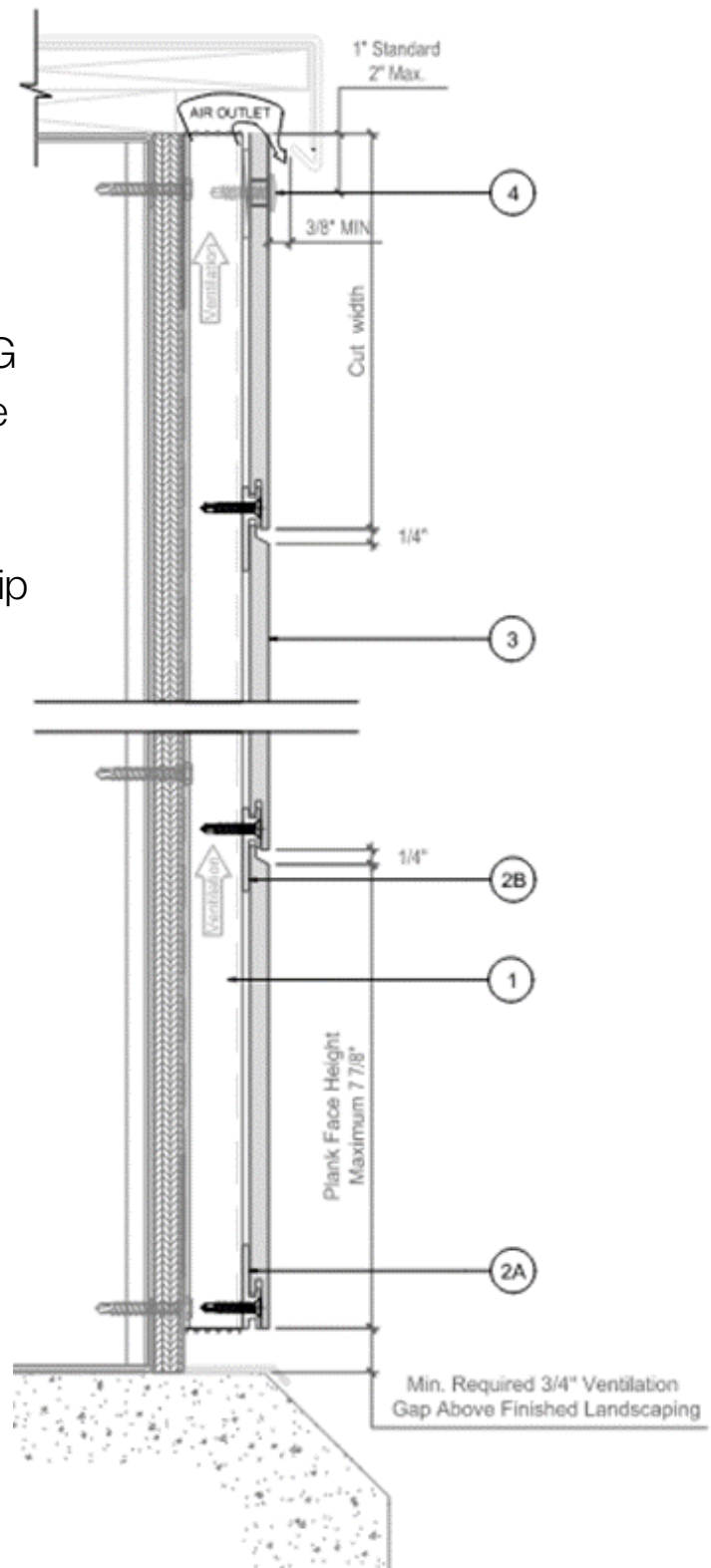
### Installation Requirements:

- Ventilation Gap minimum of 1" (25mm)
- Vertical Joint Gap minimum of 5/16" (8mm)
- Clip Spacing Maximum of 24" O.C.
- Edge Clearance: Maximum of 2" from Edge of Plank to Center of Clip

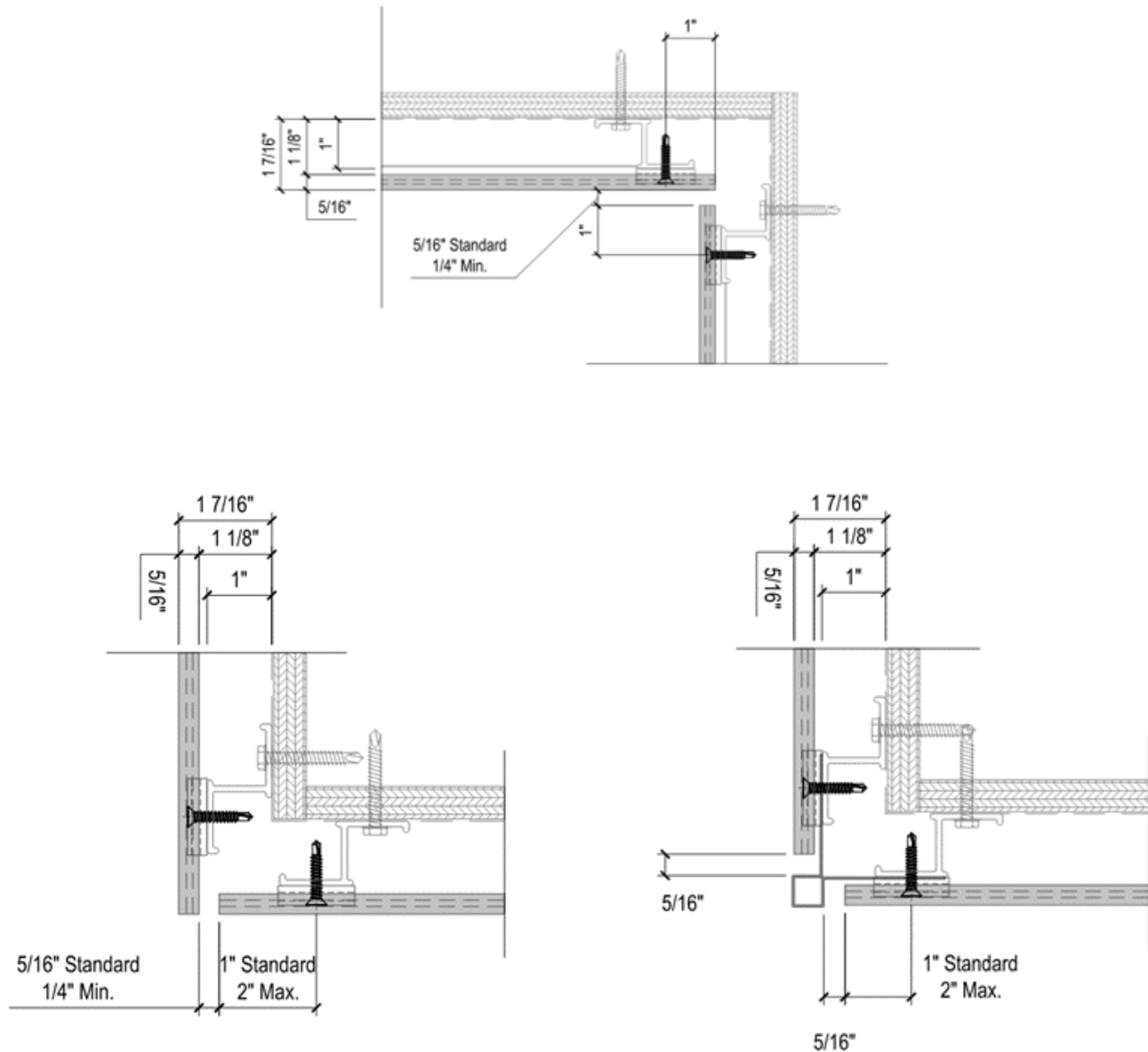
### Fixing Details (Section View)

\*Please Reference the EASY MEG Horizontal Detail Set for Complete Details\*

1. Substructure
2. Anodized Aluminum Flush Clip
  - a. First Clip Installed with Back Flange Facing Upward
  - b. Remaining Clips Installed with Back Flange Facing Downward
3. EASY MEG Plank
4. Color Matched Screw
  - a. Not Included in Packaging, Available Upon Request



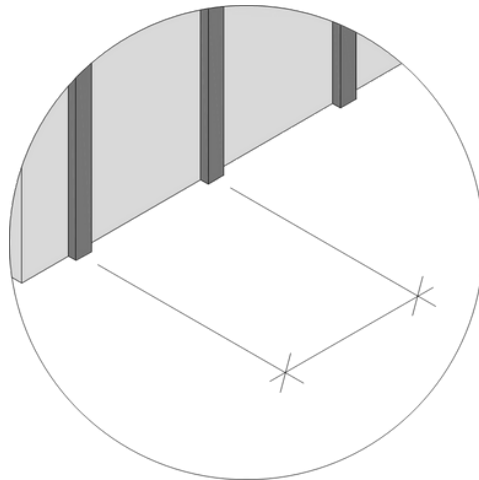
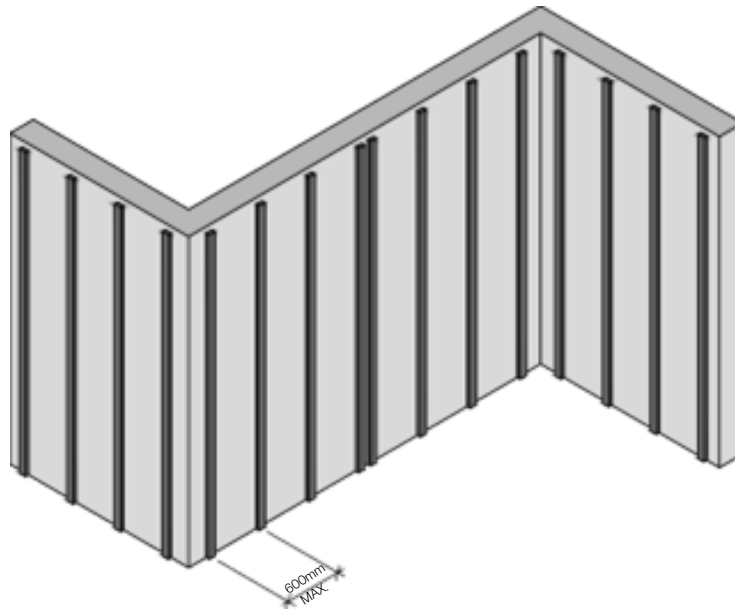




Corner Details (Plan View)

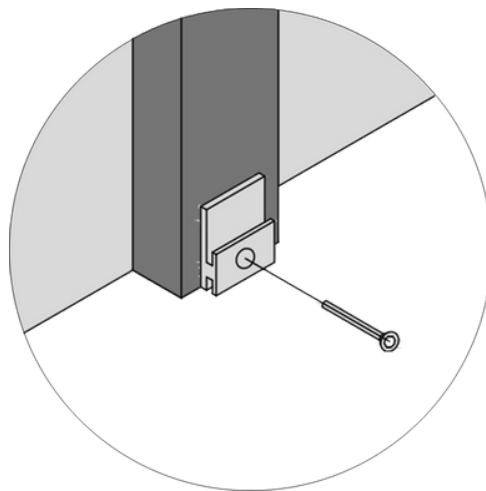
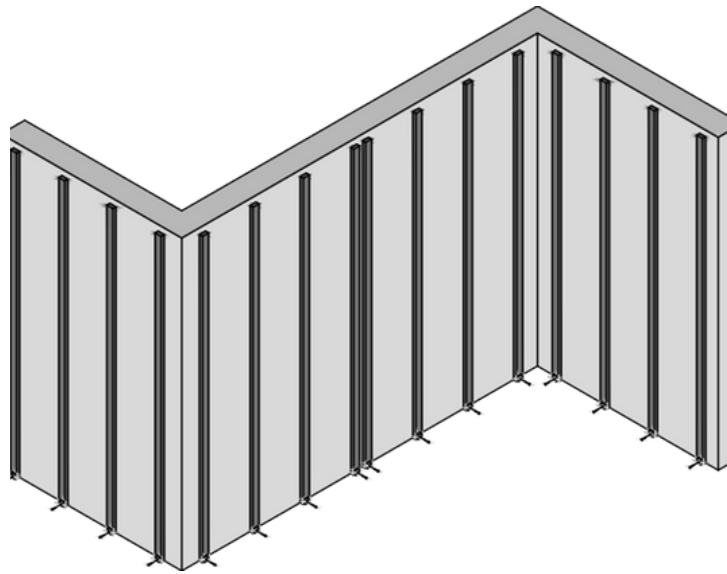
- Building Corners can be made with free side planks or with a protective/decorative flashing.
- Flashings are not included in the EASY MEG Packaging, but are available upon request.

## Step 1



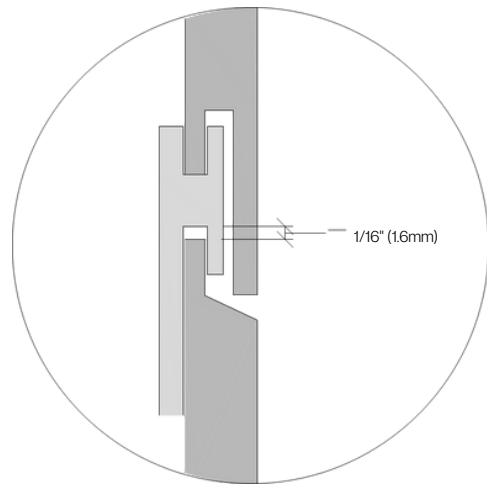
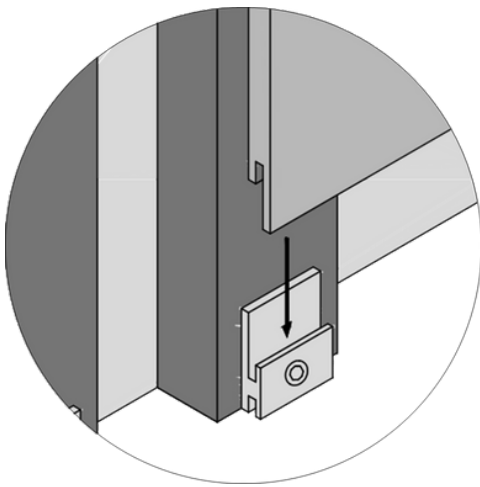
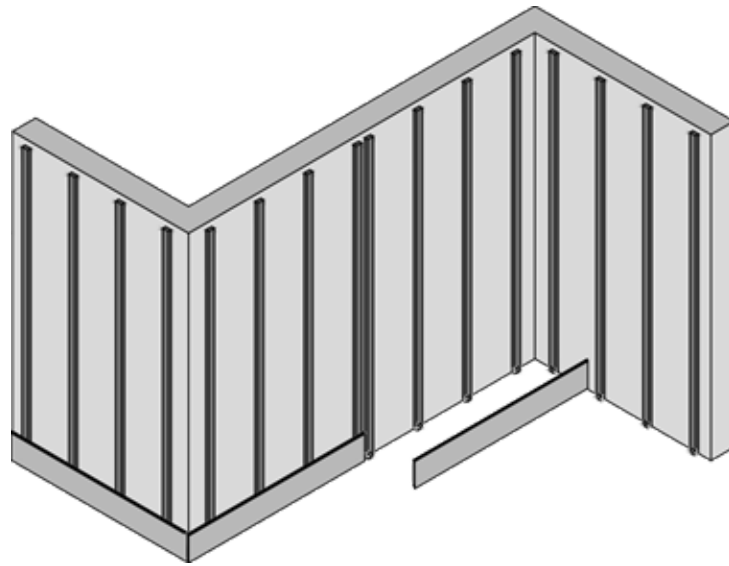
- Install vertical subgirts @24" (600 mm) on center maximum.

## Step 2



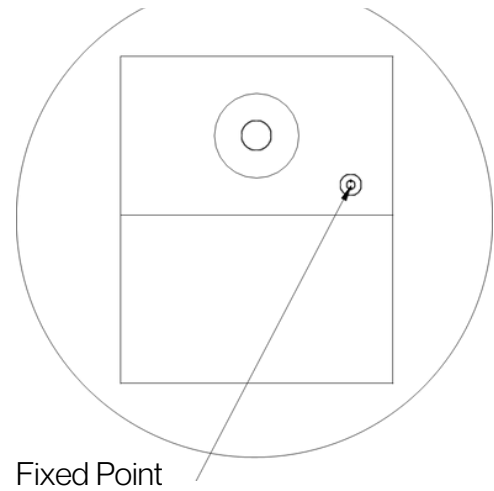
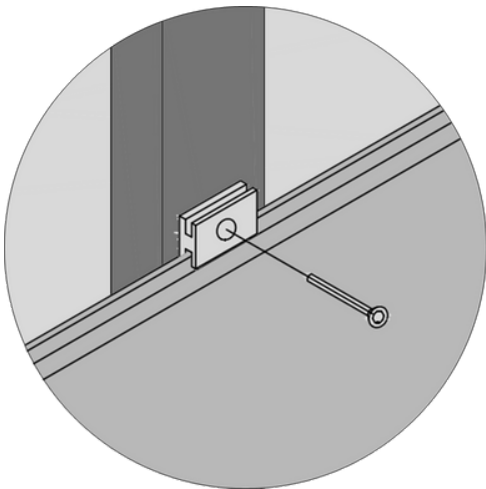
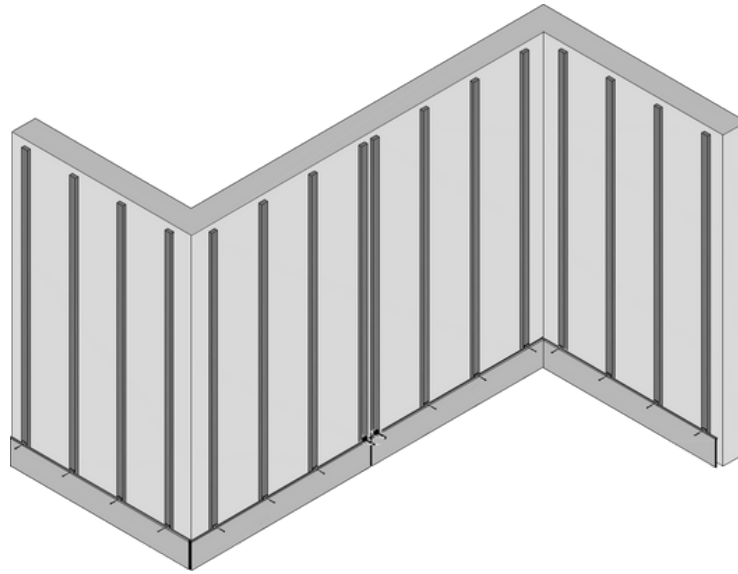
- Install the first row of clips with the back flange facing upward.
- Using a laser level or spirit level install the clips at the bottom of the wall a minimum of 3/4" above the finished landscaping to ensure unobstructed air flow.

### Step 3



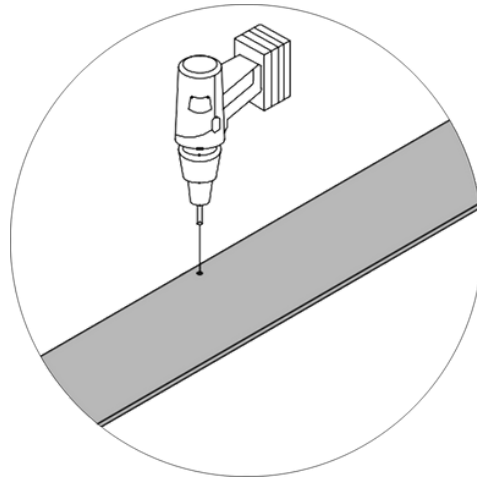
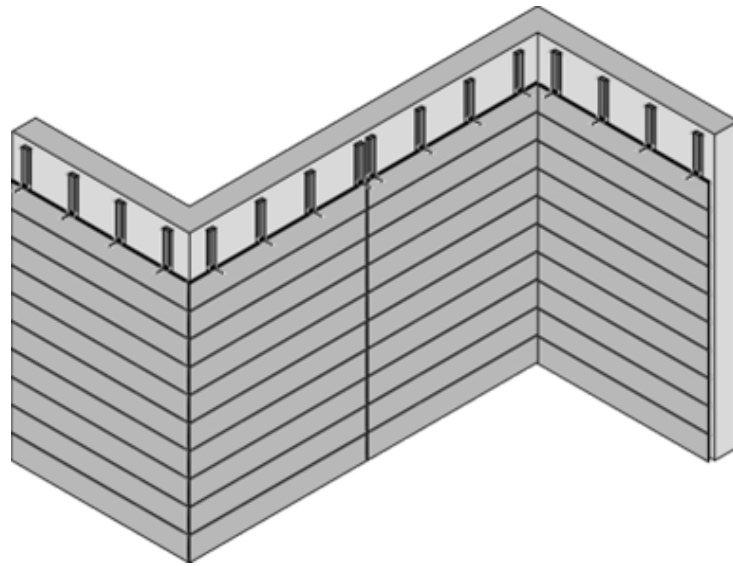
- Remove peel coat from both sides of the plank before installing on the wall.
- Slide/Sit the first row of EASY MEG Planks into the first row of installed clips. Using a laser level or spirit level verify the first row is installed level.
- The EASY MEG Closed Joint System is designed to allow for expansion and contraction of the planks. Use the positioning tool to allow for 1/16" (1.6mm) of space between the top edge of the plank and the clip.

## Step 4



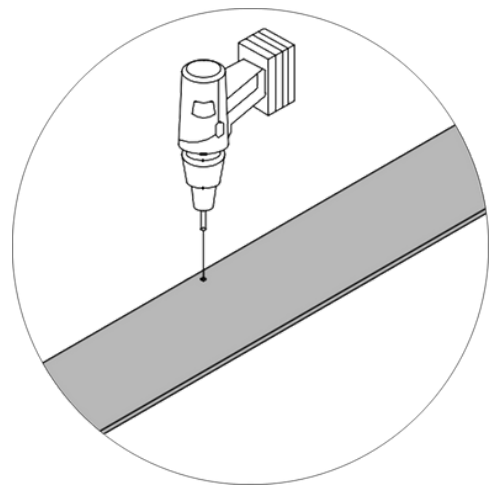
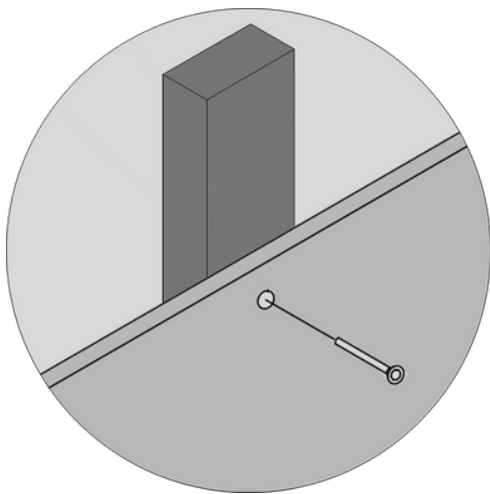
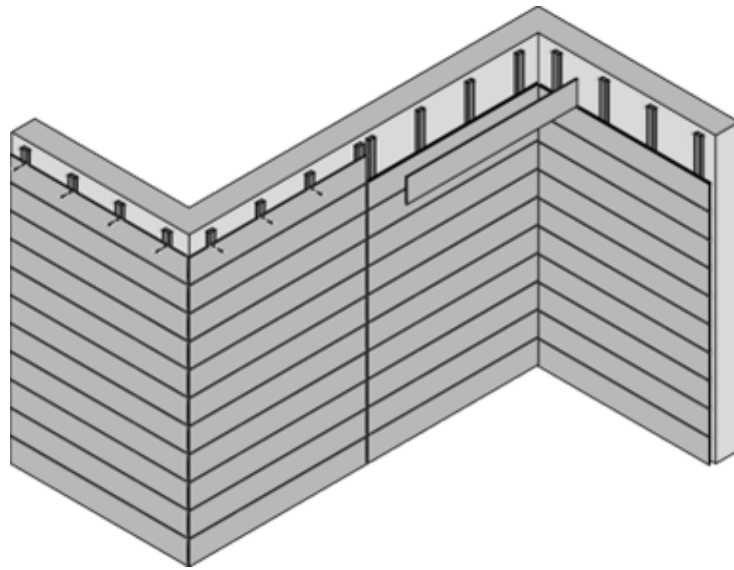
- All clips should be installed with the back flange facing downward.
- Fasten the clips of the second row with a screw suitable for the substrate.
- The spacing of the clips is 24" (600mm) maximum.
- At the center most clip on each plank, drill a hole through the top flange of the plank using the pre-drilled hole on the clip. Insert the set point nail to create a fixed point.

## Step 5



- Continue to install the EASY MEG planks with the same methodology until the desired surface is covered.
- Planks can be field cut at termination locations.
- Planks must be cut face down
- When drilling planks, make sure to have sacrificial material underneath to prevent panel blowout.

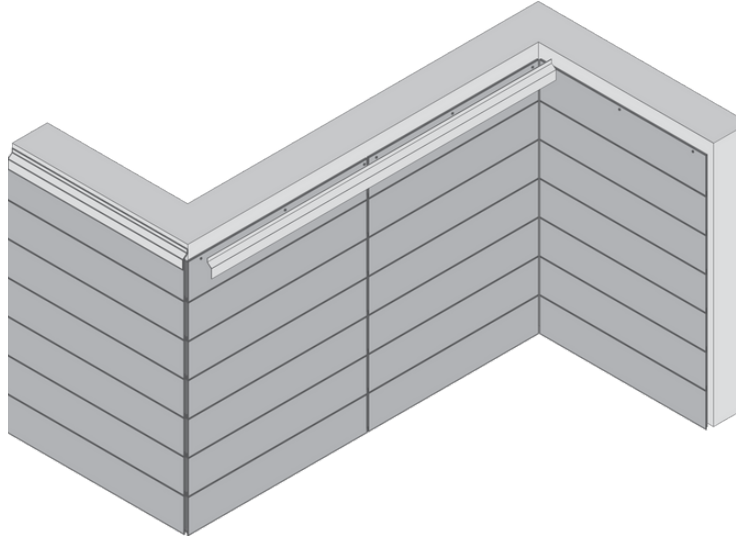
## Step 6



### Top Termination Drilling Guidelines:

- Drill 1 fixed point hole  $7/32"$  (5.5mm) at the center of the plank.
- The remaining holes are to be drilled as floating holes  $5/16"$  (8mm).
- This is to allow for proper expansion and contraction of the plank.
- Shim as necessary to keep plank plumb to the wall.

## Closing Flashing



- If installing a top flashing or coping leave 1" vertical air space above top plank and 3/8" spacing off the face of the plank to allow for proper ventilation.
- Bottom Flashings can be used with the system but must be perforated to allow for air flow into the system.
- ABET can provide flashings upon request for your project.



## **Disclaimer**

### **Article 1 - Object**

1.1 The present guarantee for MEG and MEG F1 products by Abet Laminati S.p.A. (the «MEG Warranty»), is additional to the provisions of the 'General Conditions of Sale and Guarantee Abet', of which the MEG Warranty constitutes an attachment and which are fully applicable to MEG / MEG F1 products, except as expressly herein expected for these products. The terms and expressions conventionally defined in the 'General Conditions of Sale and Warranty Abet' have the same meaning also in the MEG Warranty, unless otherwise indicated.

1.2 With the MEG Guarantee, Abet guarantees the resistance of the panels produced in laminated material called MEG and MEG F1 (the «MEG Products») to the elements, with this being the behaviour of the laminates in relation to surface degradation, colour fading and reduction of mechanical properties due to exposure to atmospheric agents (sunlight, rain, frost, etc. 1.3 The MEG Warranty will have a duration of 10 years from the date of delivery to the Customer of the MEG Products and will be valid according to the terms, conditions and methods indicated above.

### **Article 2 - Applicability of the MEG Warranty**

2.1 The MEG Guarantee applies to the MEG Products that are defective with reference to the standards set by the reference standard UNI EN 348: 2016-6, the Technical Manual of the MEG Products (the «Manual») and the MEG Product Information Sheet, (the «Card») both delivered to the Customer together with the MEG Products, and in any case available at [www.abetlaminati.com](http://www.abetlaminati.com).

2.2 The MEG Warranty will only be valid for the MEG Products installed by following the storage, processing, assembly and maintenance instructions outlined in the {MEG Product Information Sheet.}.

2.3 If the MEG Products are to be installed in Countries other than Italy, the Customer is obliged to check applicable local regulations. In the event that a defect appears to be covered by this MEG Warranty but which is caused by failure to comply with the aforementioned legislation, then the MEG Warranty will not be applicable. In addition, if the MEG Products are installed in compliance with local regulations but these regulations do not conform to the guidelines in the MEG Product Information Sheet, then the MEG Warranty will also not be applicable.

2.4 The defects of the MEG Products must be proven by an accredited external third party (a well-known conformity assessment body and / or a consultant recognised world-wide as an expert in the HPL sector) at the expense of the Customer. To this end, the Customer will be required to consent, that is, in the event that the MEG Products have been assembled on the property of third parties, to ensure that it is consented by them, to Abet or to the person appointed by Abet, to inspect the Products MEG in question as well as to examine the drawings and documents related to the construction project and the methods of installation of the MEG Products in order to promptly assess the request for compensation based on the MEG Warranty.

2.5 The MEG Warranty is applicable on the condition that the defects are reported in writing, providing a clear and detailed description of the defects in question, within 30 days of their discovery. The Purchase Order sent to Abet or an authorised dealer or distributor of the MEG Products and the relevant invoices of the MEG Products must be attached, under penalty of validity of the MEG Warranty.

2.6 If the existence of the defects reported is confirmed without prejudice to the provisions of Article 4 of this MEG Warranty, Abet shall have the right to choose between the replacement of defective MEG Products and the reimbursement of the amount paid by the Customer. In the event that Abet chooses to replace the MEG products but the chromatic reference and / or the finish are no longer available, Abet has the right to propose others as similar as possible to the original decoration and / or finish, even if not exactly the same.

2.7 The replacement of the defective MEG Products does not, in any case, extend the original warranty period outlined in point 1.3 (i.e. 10 year from the date of first delivery).

### **Article 3 - Exclusion of the MEG Warranty**

3.1 The MEG Warranty does not cover:

(i) the physiological effects of the ageing process of the MEG products, such as, by way of nonexhaustive example, a slow discolouration or a slight variation in the brightness of the colour;

(ii) MEG Products mounted horizontally or on inclined surfaces (except for use in outdoor roofs) when exposed directly to atmospheric agents and / or sunlight and in the absence of proper ventilation and drainage on the back of the panels of the MEG products;  
any material damage to persons or property deriving from the fall of MEG Products panels due to the fixing or installation system or damage from vandalism, negligence, abuse, war, natural disasters, terrorist acts and force majeure;  
any damage to parts of the building on which MEG Products have been installed, such as, but not limited to, extensions of roofs, cornices, windows and seals of windows, doors, posters, billboards, lights, surroundings of the building and any other type of accessory connected to the building;

reimbursement of decoration costs of any kind, roofing materials and / or other materials for facades, dismantling and reinstallation of blinds, awnings and / or awnings, lights, signs, scaffolding for window cleaning and other similar costs of any kind, including, but not limited to, the cost of dismantling, repairing and / or reinstalling a load-bearing structure and / or other building parts.

# **ABET LAMINATI**

N48W373031 E Wisconsin Avenue

Oconomowoc, WI 53066

262.567.4427

[us.abetlaminati.com](http://us.abetlaminati.com)

Copyright 2021

© Abet Laminati S.p.A.

All rights reserved

# **ABET LAMINATI**