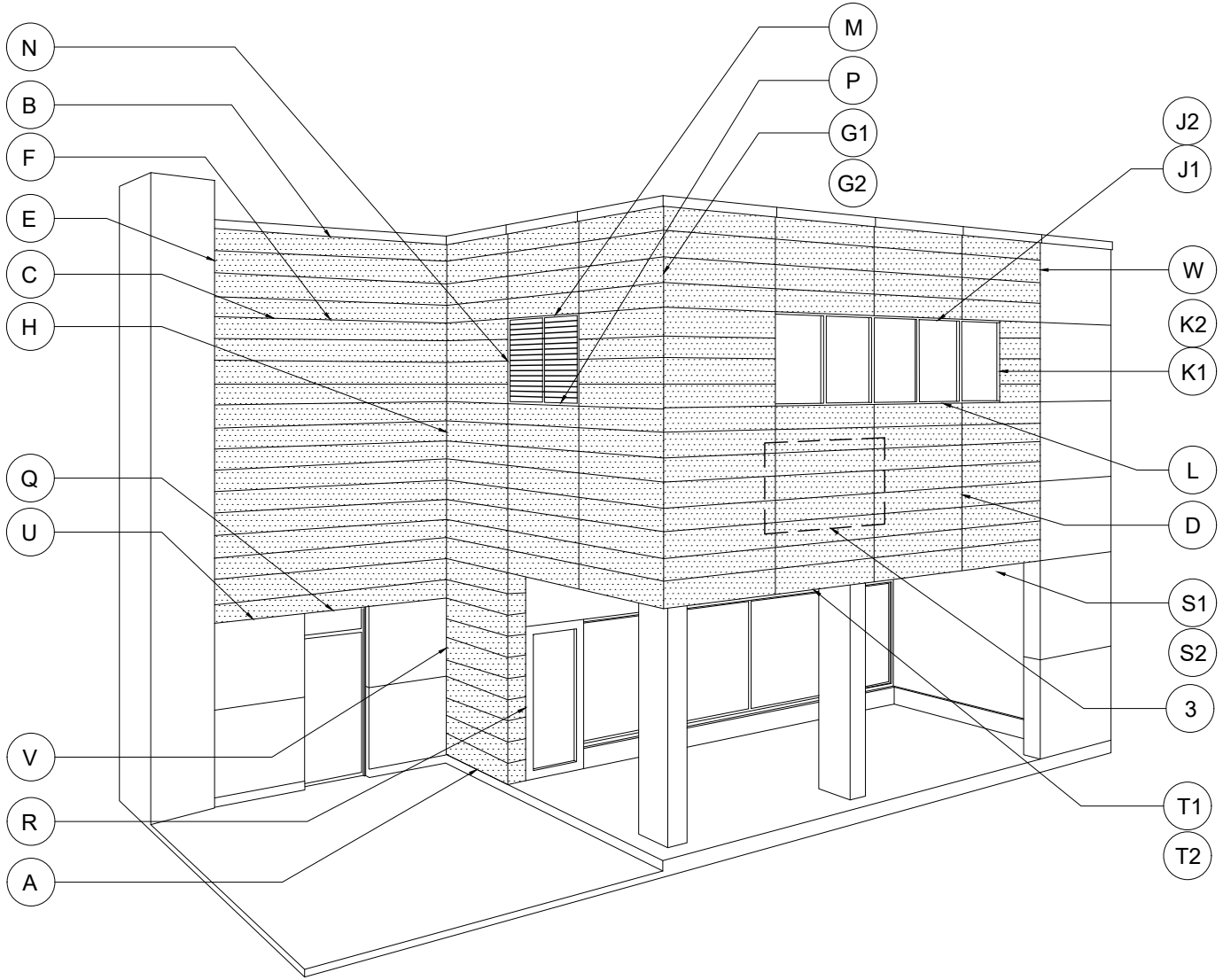


1" STANDOFF - PLANK SYSTEM HORIZONTAL APPLICATION



EASYMEG



STANDARD DETAIL CREATION

06/15/2023

REV.

ISSUANCE

DATE

DETAIL NAME:

DWG. BY: ACE

CHK. BY: ACE

PG. NO: OF 28

LEGEND DETAILS

- ① 5/16" [8mm] THK., ABET EASY MEG PLANK
- | | |
|-------------------------------------|--------------------------------|
| <u>Standard Sizes:</u> | <u>Thickness Available:</u> |
| * 8.189" x 120"
[208mm x 3050mm] | * 5/16" [8mm]
* 3/8" [10mm] |
- ② SET POINT NAIL -
ONLY 1 PER PLANK AT CENTER CLIP
- ③ 1" STANDOFF CLIP (6005-T5 ALUM. CLIP)
- ④ 4" LONG Z FURRING (0.90" - 6005-T5 Alum.) OR
EQUIVALENT
- ⑤ SFS SX3-D16, COLOR MATCHED FASTENER
- ⑥ XB02 - PERFORATED SILL FLASHING (OPTIONAL)
- ⑦ WALL STRUCTURE/MATERIAL (BY OTHERS)
- ⑧ 1/8" SHIM (BY OTHERS)
- ⑨ INSULATION (BY OTHERS)
- ⑩ AIR/VAPOUR BARRIER (BY OTHERS)
- ⑪ SUBSTRATE (BY OTHERS)
- ⑫ STRUCTURAL FRAMING (BY OTHERS)
- ⑬ CONCRETE (BY OTHERS)
- ⑭ METAL TRIMS/FLASHING/CAP (BY OTHERS)
- ⑮ FASTENER (BY OTHERS)
- ⑯ WOOD FURRING (BY OTHERS)
- ⑰ EPDM GASKET (BY OTHERS)

TABLE OF CONTENTS

<u>Page No:</u>	<u>Details:</u>
00	DETAIL LOCATOR
01	TABLE OF CONTENTS
02	PARTIAL PANEL ELEVATION (0)
03	BOTTOM TERMINATION (A)
04	TOP TERMINATION DETAIL (B)
05	HORIZONTAL JOINT DETAIL (C)
06	VERTICAL JOINT DETAIL (D)
07	VERTICAL TERMINATION DETAIL (E)
08	PLAN MIDDLE SUPPORT DETAIL (F)
09	OUTSIDE CORNER DETAIL (Option 1) (G1)
10	OUTSIDE CORNER DETAIL (Option 2) (G2)
11	VERTICAL INSIDE CORNER DETAIL (H)
12	WINDOW HEAD DETAIL (Option 1) (J1)
13	WINDOW HEAD DETAIL (Option 2) (J2)
14	WINDOW JAMB DETAIL (Option 1) (K1)
15	WINDOW JAMB DETAIL (Option 2) (K2)
16	WINDOW SILL DETAIL (L)
17	LOUVER HEAD DETAIL (M)
18	LOUVER JAMB DETAIL (N)
19	LOUVER SILL DETAIL (P)
20	H.M. DOOR HEAD DETAIL (Q)
21	H.M. DOOR JAMB DETAIL (R)
22	PANEL/SOFFIT TRANSITION DETAIL (1) (S1)
23	PANEL/SOFFIT TRANSITION DETAIL (2) (S2)
24	PANEL/FASCIA TRANSITION DETAIL (1) (T1)
25	PANEL/FASCIA TRANSITION DETAIL (2) (T2)
26	VERTICAL TRANSITION DETAIL (U)
27	VERTICAL TRANSITION DETAIL (V)
28	HORIZONTAL TRANSITION DETAIL (W)

EASYMEG



STANDARD DETAIL CREATION

06/15/2023

REV.

ISSUANCE

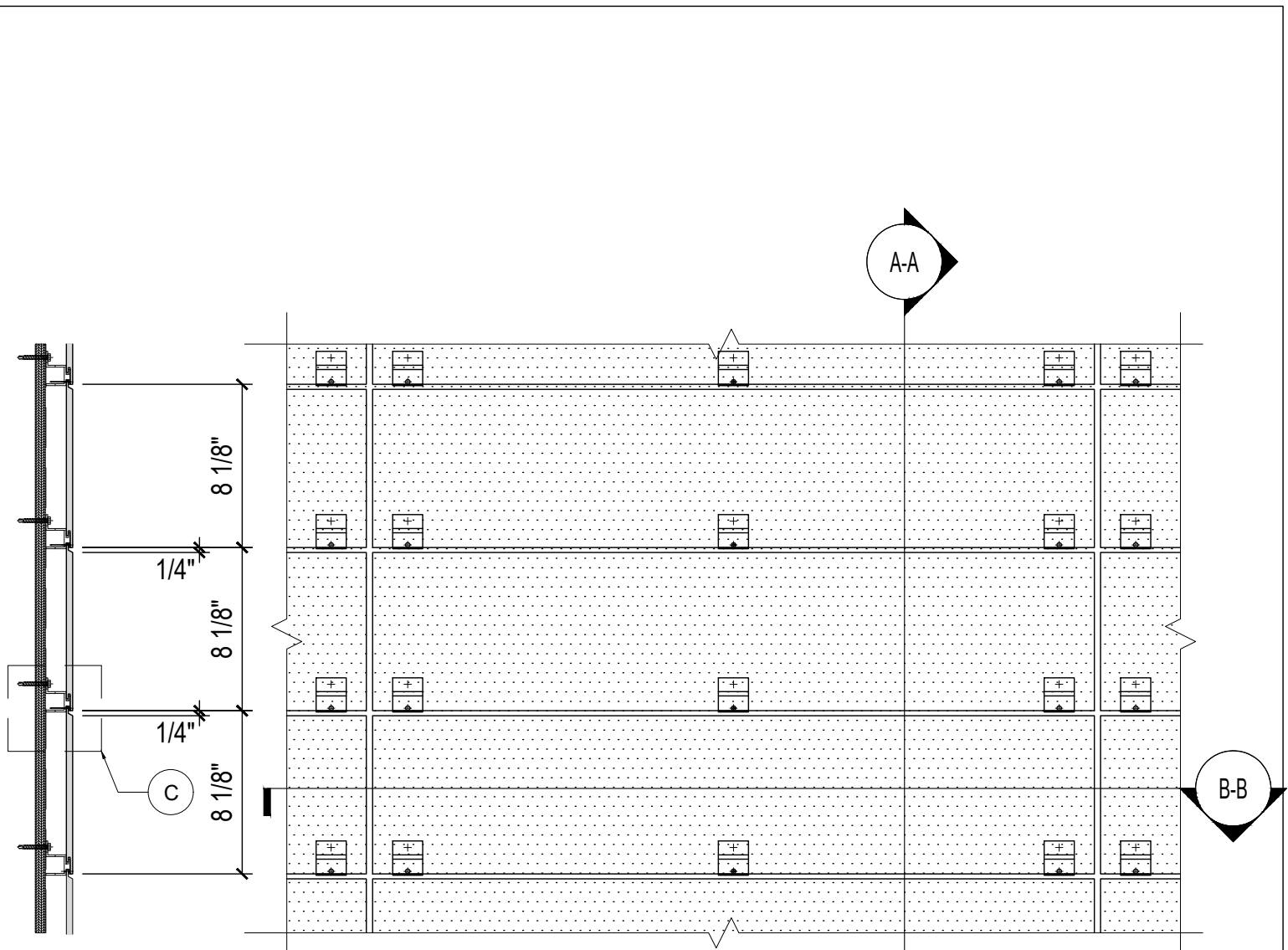
DATE

DETAIL NAME:

DWG. BY: ACE

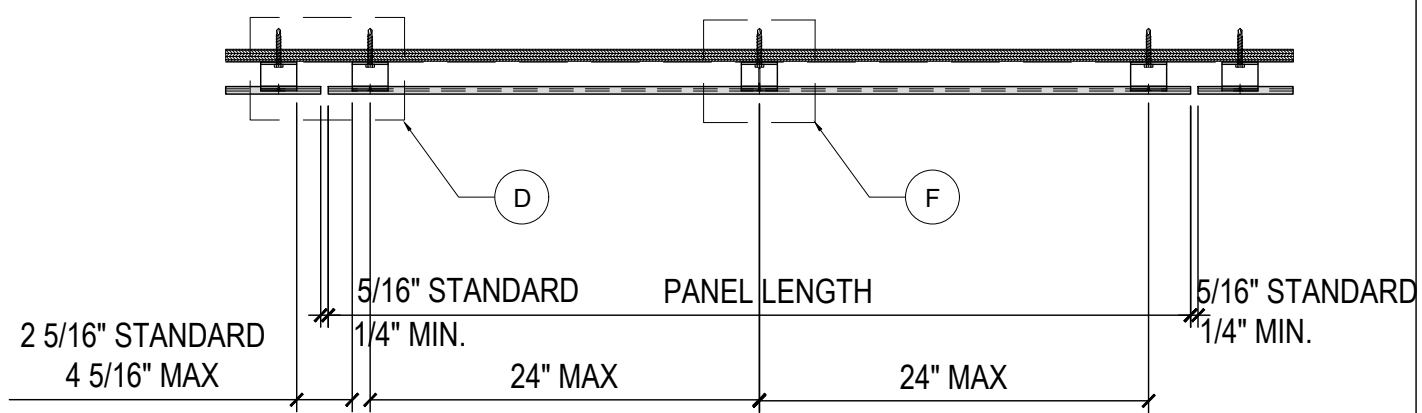
CHK. BY: ACE

PG. NO: 1 OF 28



A-A

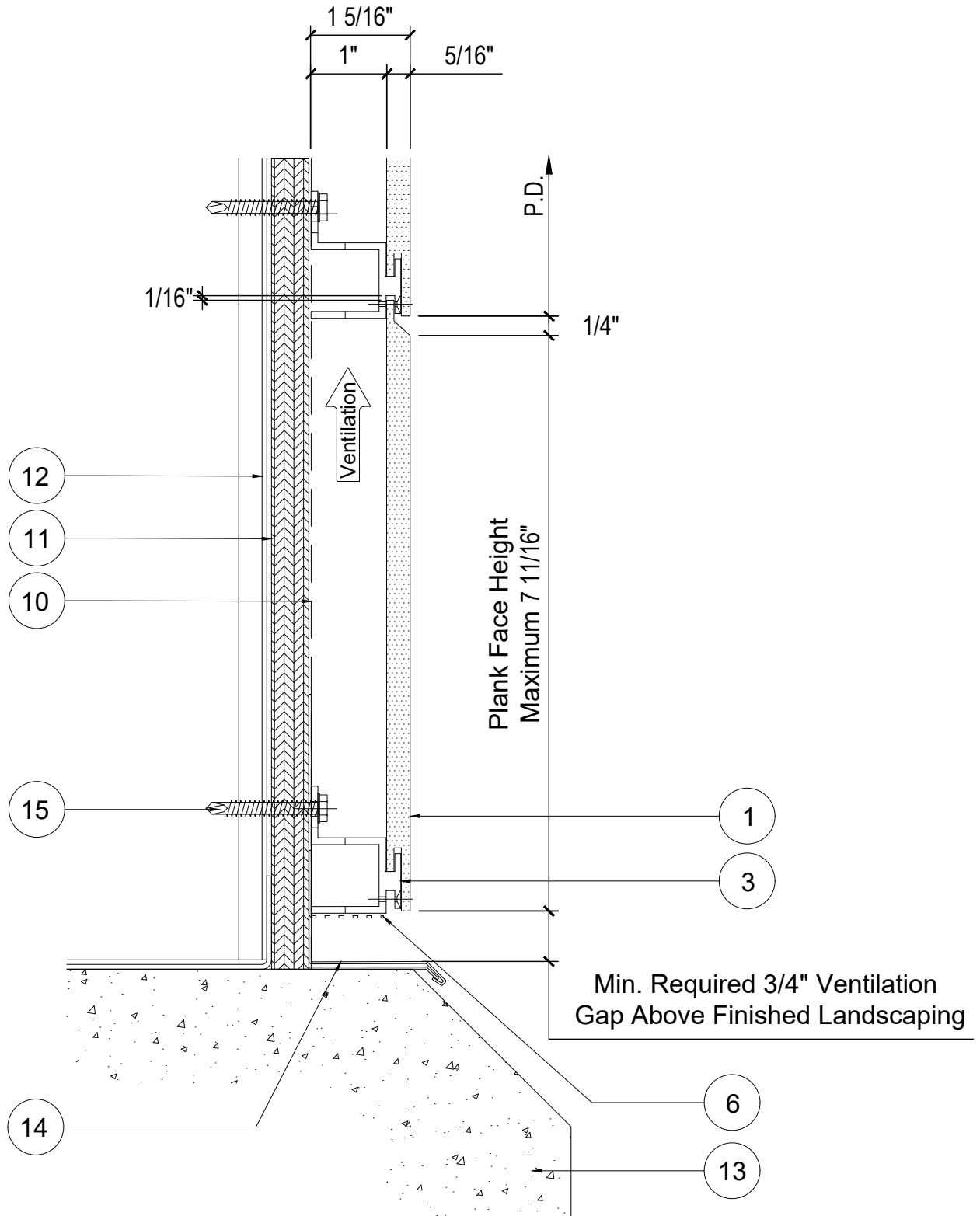
ELEVATION SEGMENT



B-B

EASYMEG

		DETAIL NAME: ELEVATION SEGMENT HORIZONTAL APPLICATION	
△	STANDARD DETAIL CREATION	06/15/2023	
REV.	ISSUANCE	DATE	DWG. BY: ACE CHK. BY: ACE PG. NO: 3 OF 28



EASMEG



STANDARD DETAIL CREATION

06/15/2023

REV.

ISSUANCE

DATE

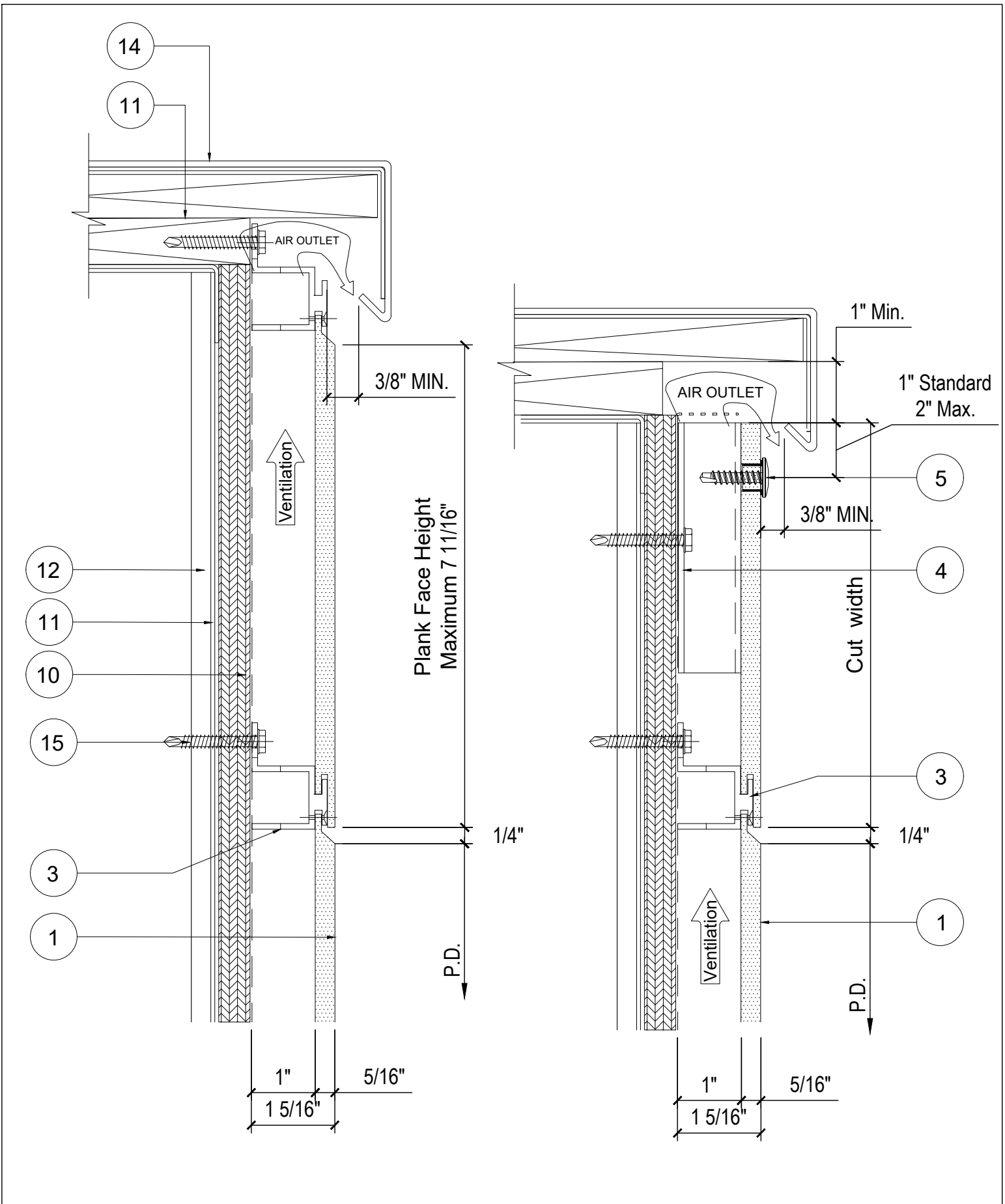
DETAIL NAME:

**BOTTOM TERMINATION
DETAIL (A)**

DWG. BY: ACE

CHK. BY: ACE

PG. NO: 3 OF 28



EASYMEG



STANDARD DETAIL CREATION

06/15/2023

REV.

ISSUANCE

DATE

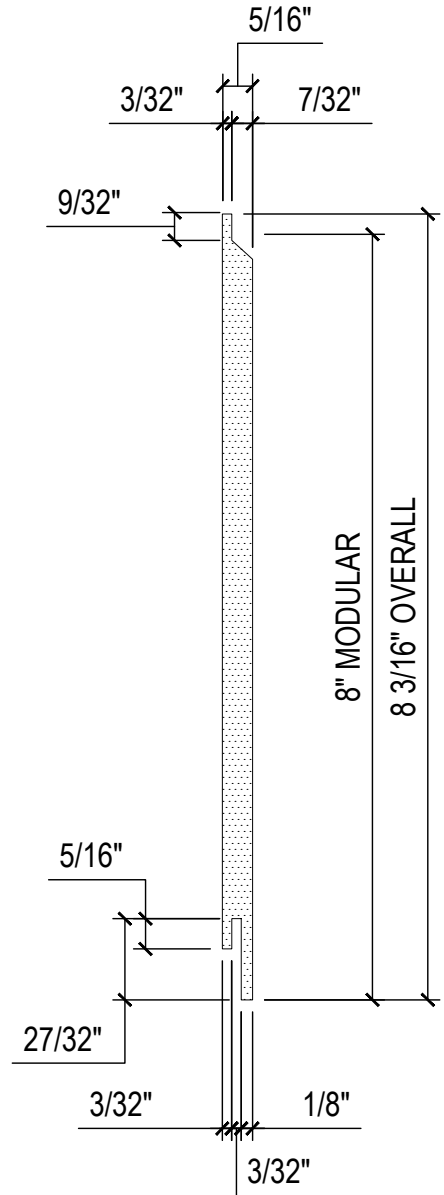
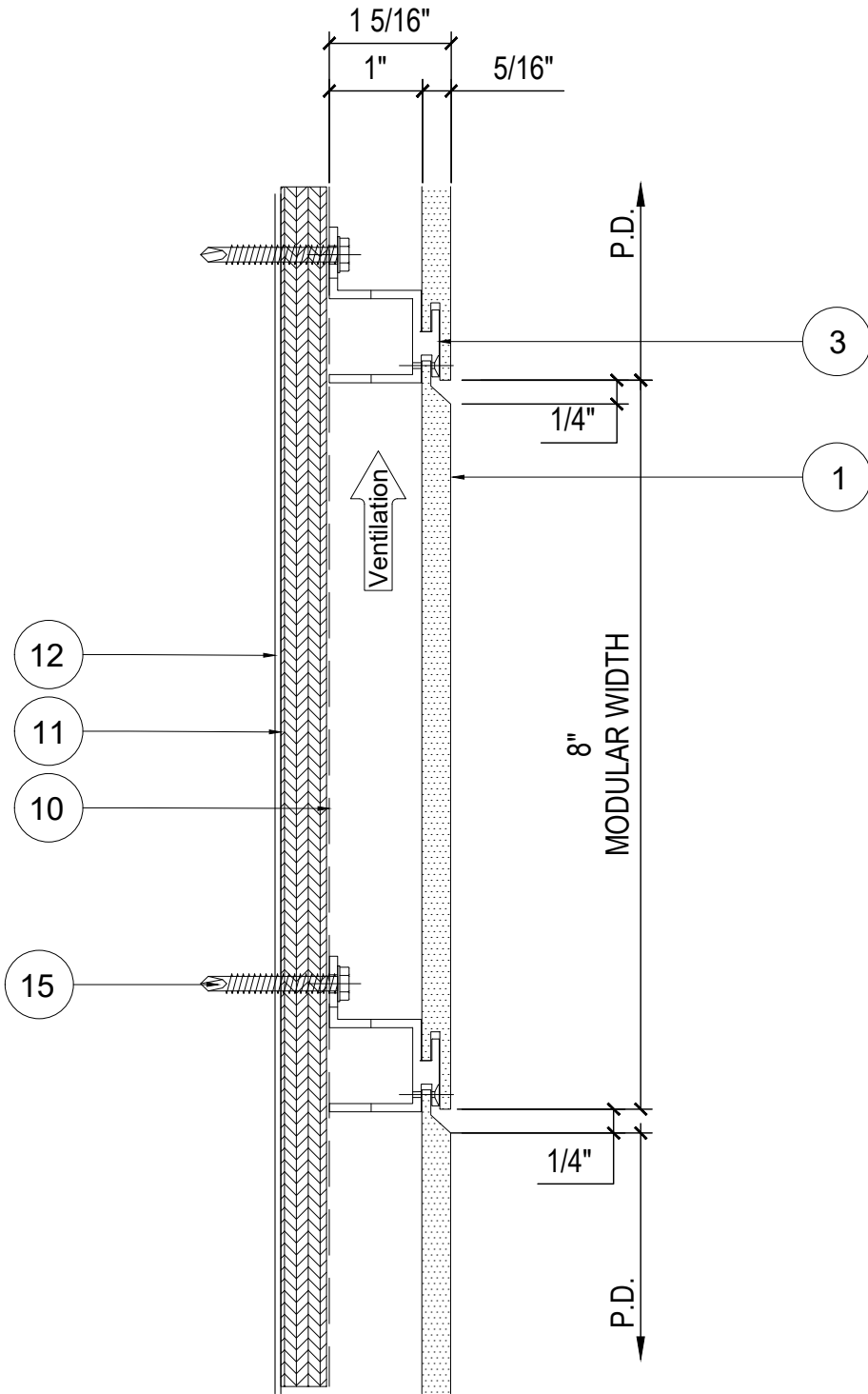
DETAIL NAME:

**TOP TERMINATION
DETAIL (B)**

DWG. BY: ACE

CHK. BY: ACE

PG. NO: 4 OF 28



TYPICAL PANEL PROFILE

EASYMEG



STANDARD DETAIL CREATION

06/15/2023

REV.

ISSUANCE

DATE

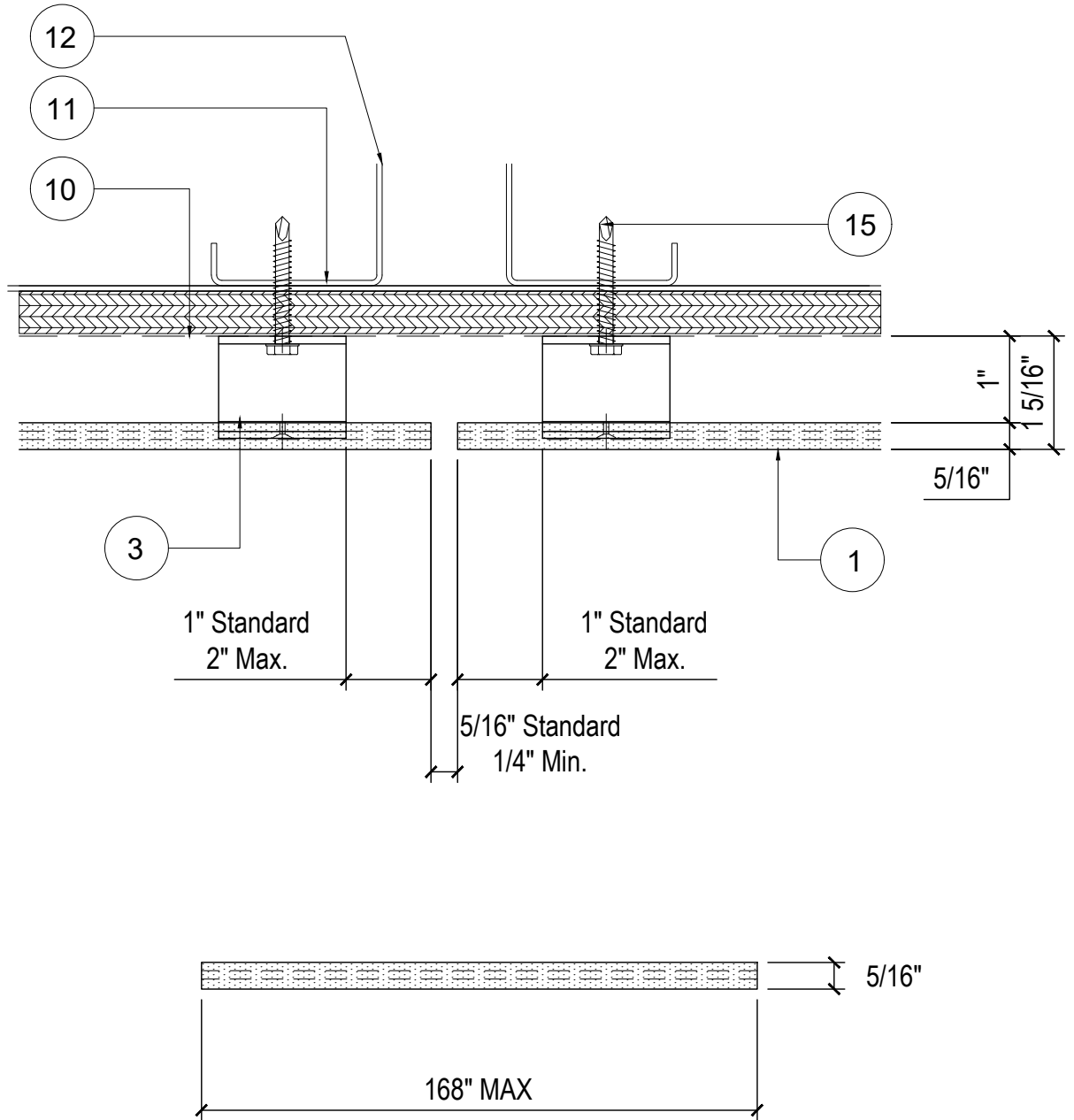
DETAIL NAME:

TYPICAL HORIZONTAL
JOINT DETAIL (C)

DWG. BY: ACE

CHK. BY: ACE

PG. NO: 5 OF 28



EASYMEG



STANDARD DETAIL CREATION

06/15/2023

REV.

ISSUANCE

DATE

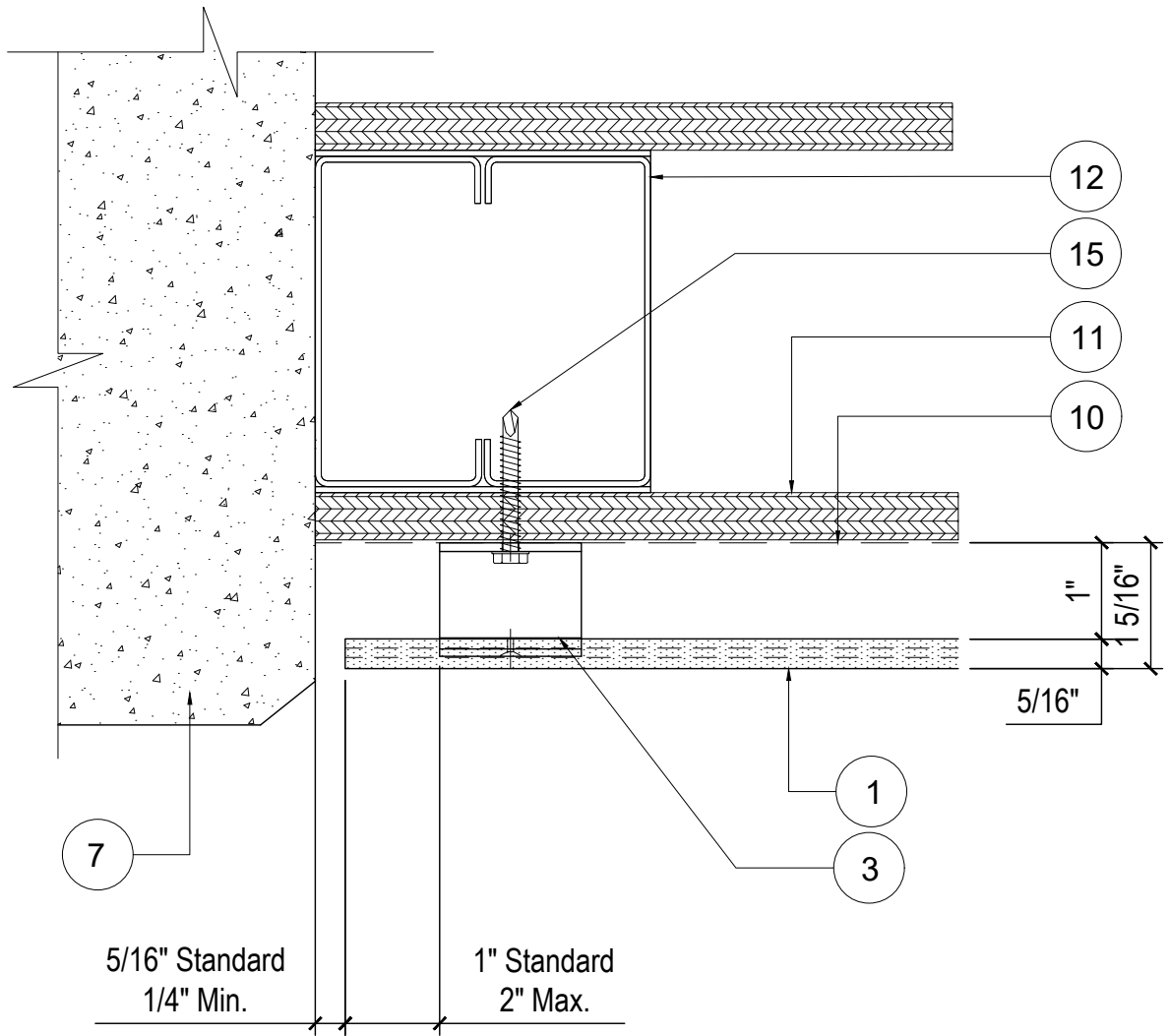
DETAIL NAME:

**TYPICAL VERTICAL
JOINT DETAIL (D)**

DWG. BY: ACE

CHK. BY: ACE

PG. NO: 6 OF 28



EASYMEG



STANDARD DETAIL CREATION

06/15/2023

REV.

ISSUANCE

DATE

DETAIL NAME:

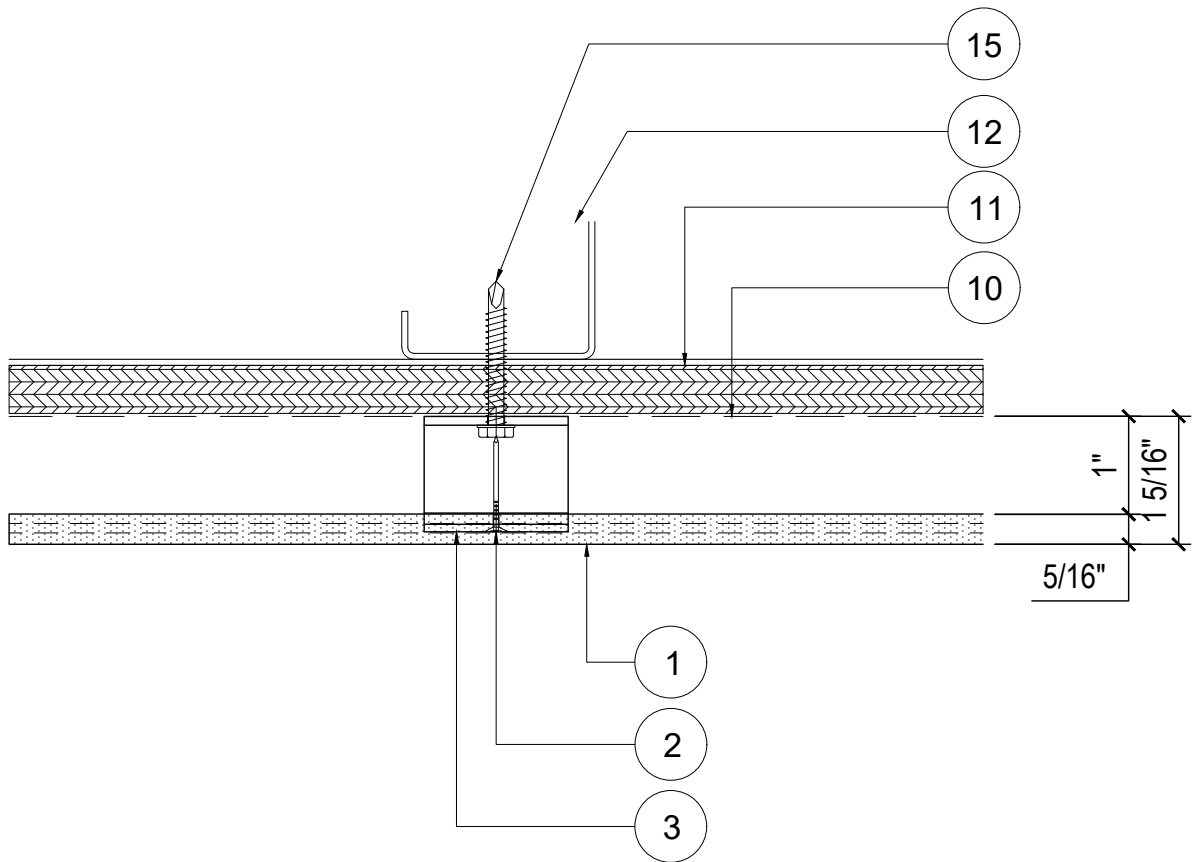
**VERTICAL TERMINATION
DETAIL (E)**

DWG. BY: ACE

CHK. BY: ACE

PG. NO: 7 OF 28

SET POINT NAIL IS USED AT THE CENTERMOST CLIP ON THE PLANK
 ONLY 1 SET POINT NAIL IS TO BE USED PER PLANK



EASMEG



STANDARD DETAIL CREATION

06/15/2023

REV.

ISSUANCE

DATE

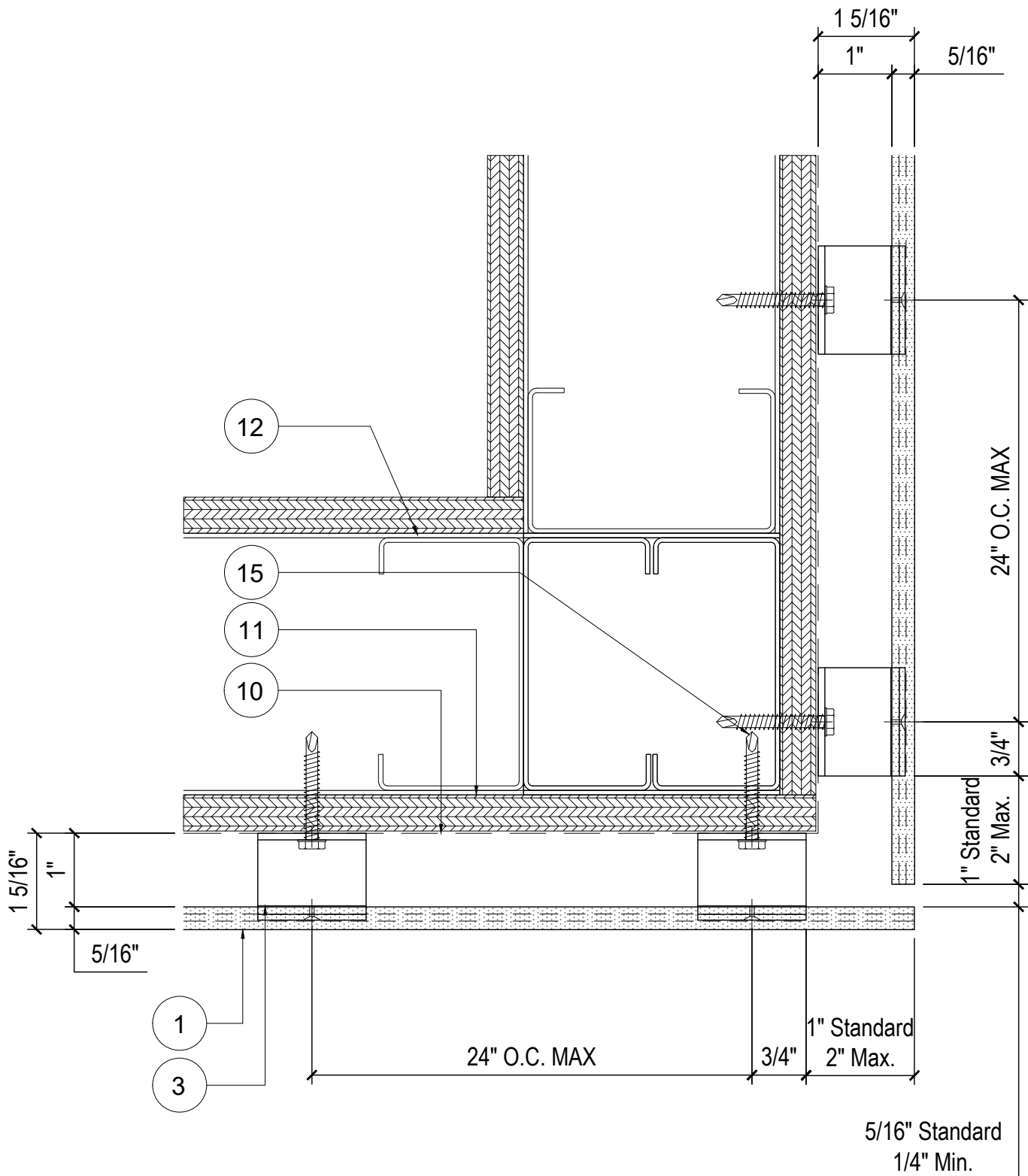
DETAIL NAME:

PLAN MIDDLE SUPPORT
 DETAIL (F)

DWG. BY: ACE

CHK. BY: ACE

PG. NO: 8 OF 28



EASYMEG



STANDARD DETAIL CREATION

06/15/2023

REV.

ISSUANCE

DATE

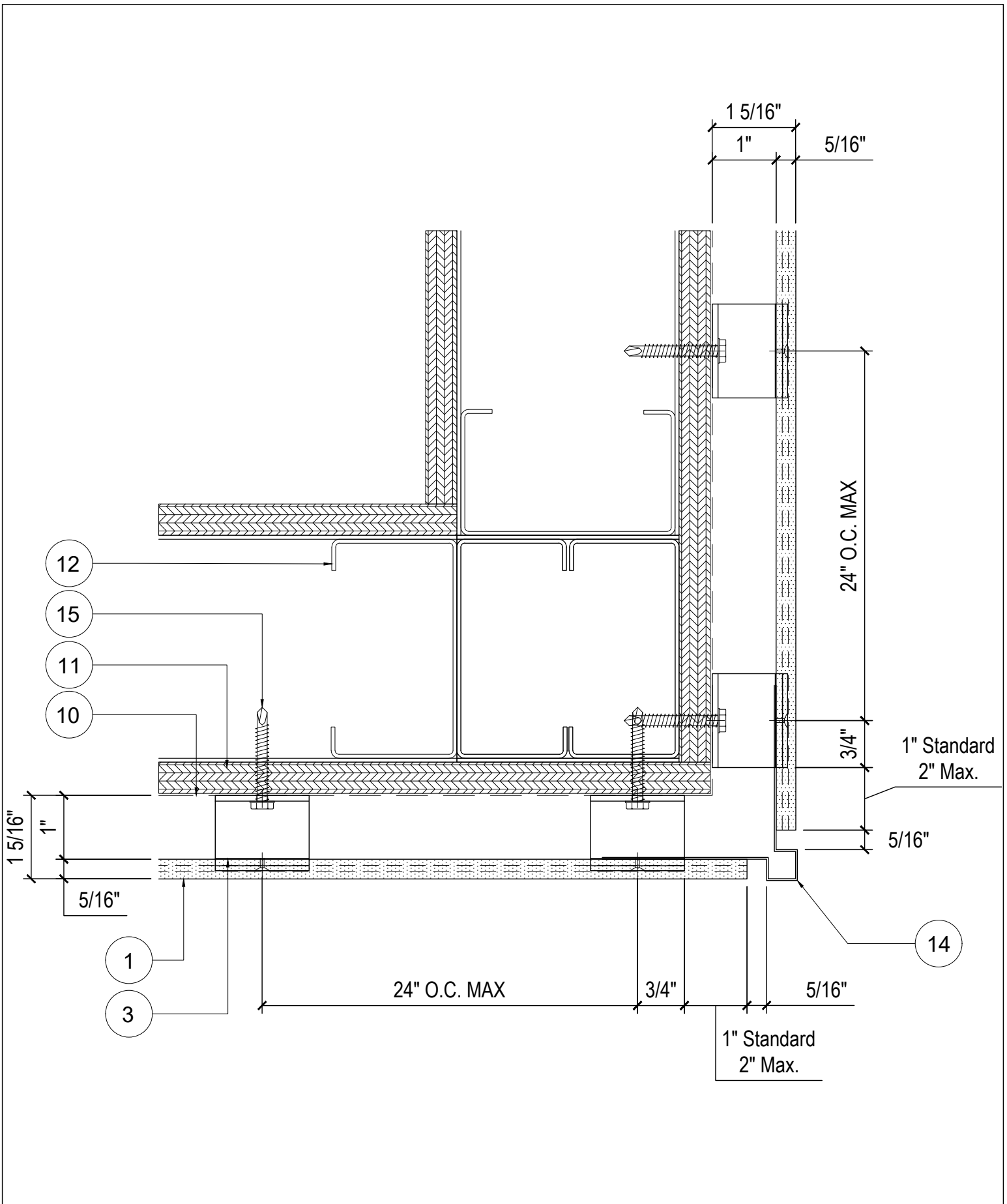
DETAIL NAME:

**VERTICAL OUTSIDE
CORNER DETAIL (G1)**

DWG. BY: ACE

CHK. BY: ACE

PG. NO: 9 OF 28



EASYMEG



STANDARD DETAIL CREATION

06/15/2023

REV.

ISSUANCE

DATE

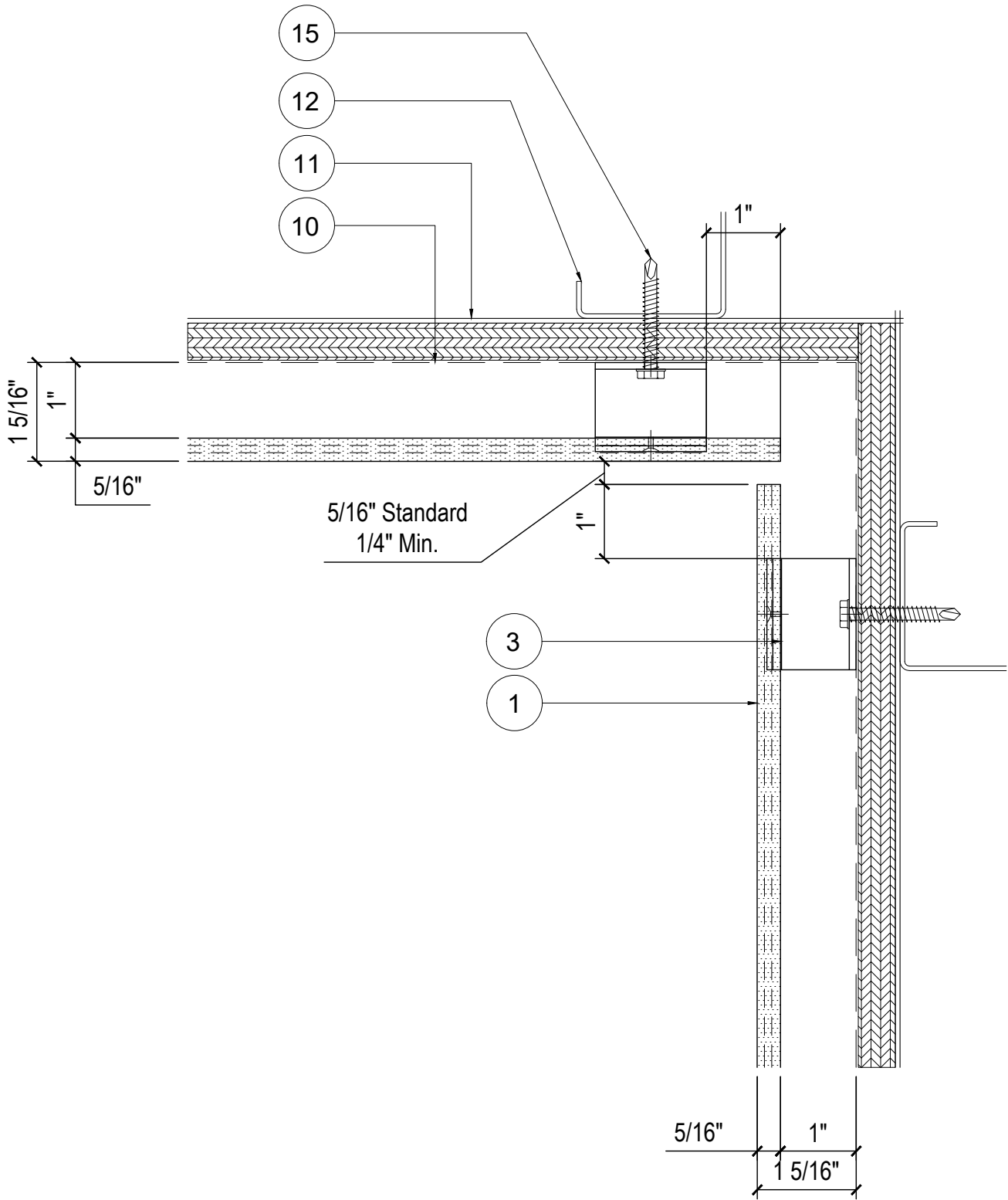
DETAIL NAME:

**VERTICAL OUTSIDE
CORNER DETAIL G2)**

DWG. BY: ACE

CHK. BY: ACE

PG. NO: 10 OF 28



EASYMEG



STANDARD DETAIL CREATION

06/15/2023

REV.

ISSUANCE

DATE

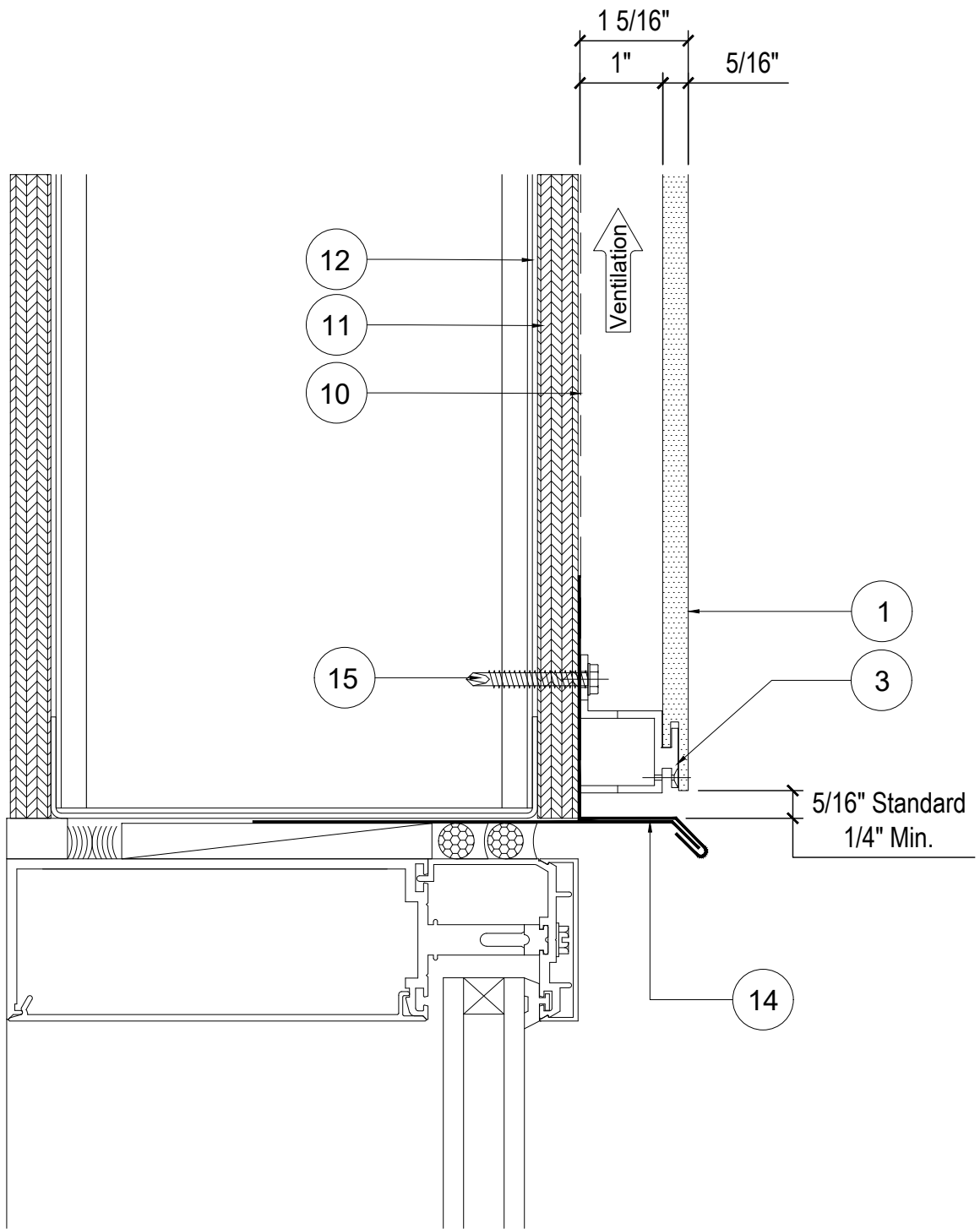
DETAIL NAME:

**VERTICAL INSIDE
CORNER DETAIL (H)**

DWG. BY: ACE

CHK. BY: ACE

PG. NO: 11 OF 28



EASYMEG



STANDARD DETAIL CREATION

06/15/2023

REV.

ISSUANCE

DATE

DETAIL NAME:

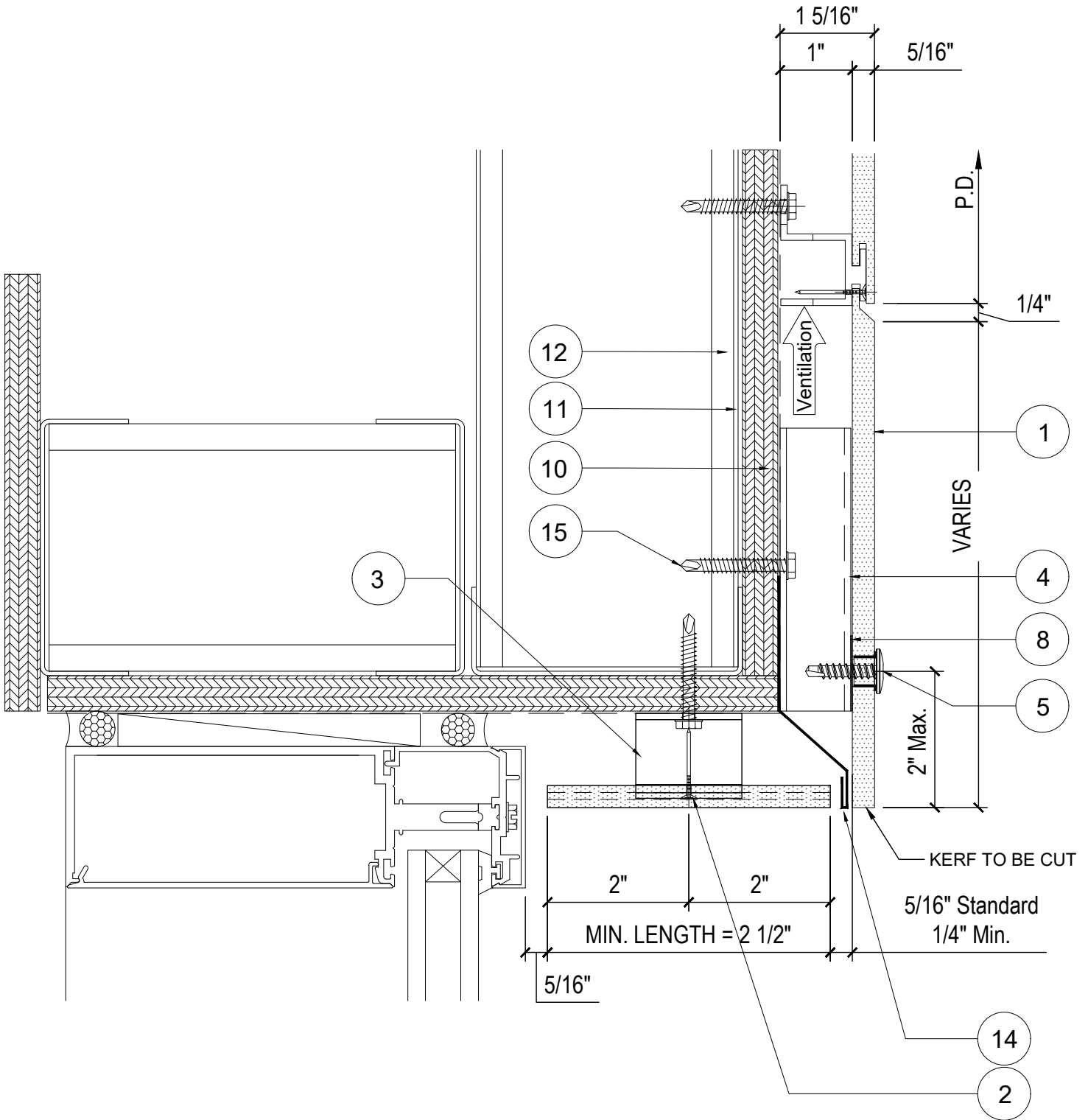
WINDOW HEAD
DETAIL (J1)

DWG. BY: ACE

CHK. BY: ACE

PG. NO: 12 OF 28

MIN LENGTH = 2 1/2" - 2" TO ALLOW FOR COVERAGE OF CLIP + 1/4" OVERAGE ON EACH SIDE
 PANEL LENGTH > 4" 2 CLIPS ARE REQUIRED



EASMEG



STANDARD DETAIL CREATION

06/15/2023

REV.

ISSUANCE

DATE

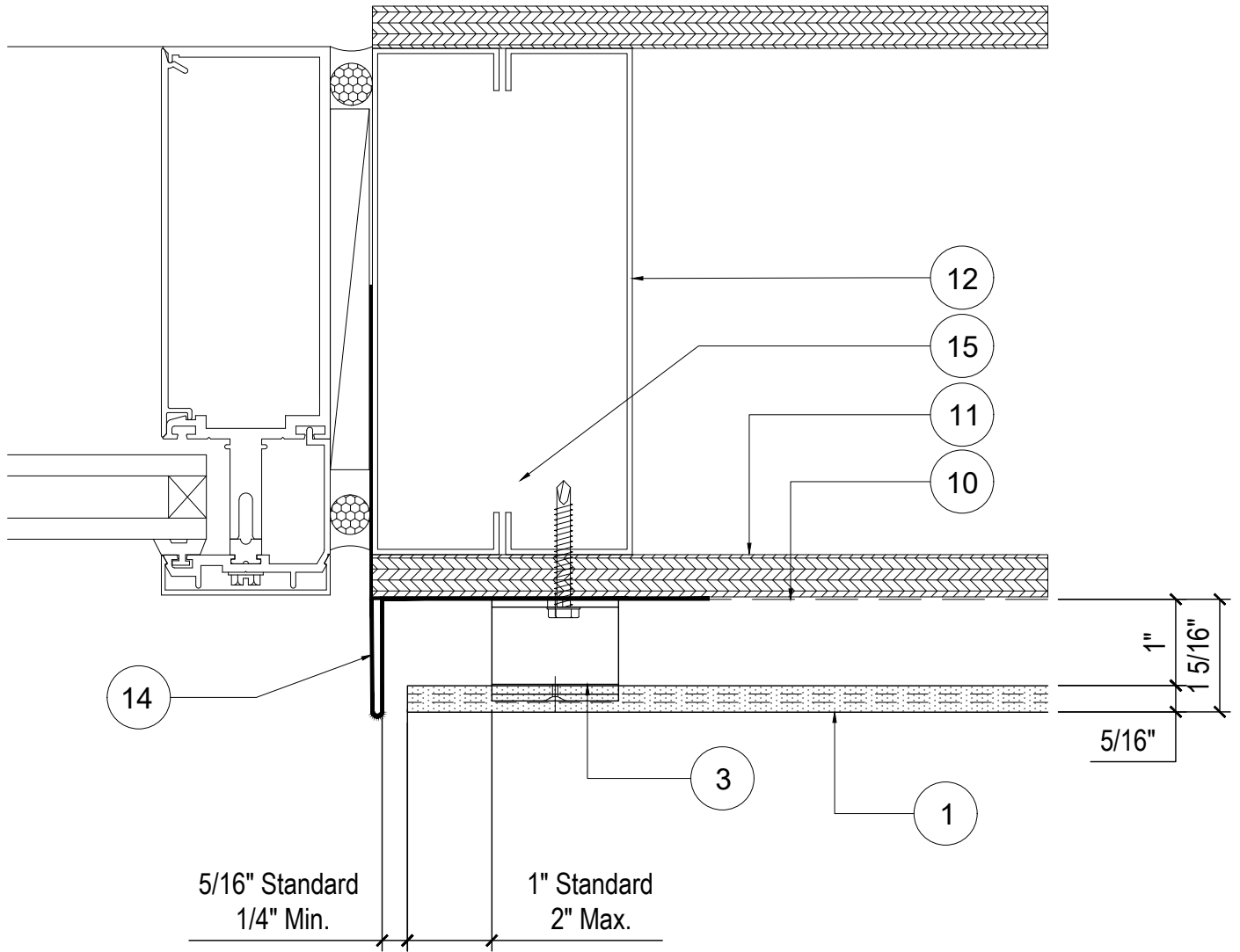
DETAIL NAME:

WINDOW HEAD
 DETAIL (J2)

DWG. BY: ACE

CHK. BY: ACE

PG. NO: 13 OF 28



5/16" Standard
1/4" Min.

1" Standard
2" Max.

1"
1 5/16"
5/16"

EASYMEG



STANDARD DETAIL CREATION

06/15/2023

REV.

ISSUANCE

DATE

DETAIL NAME:

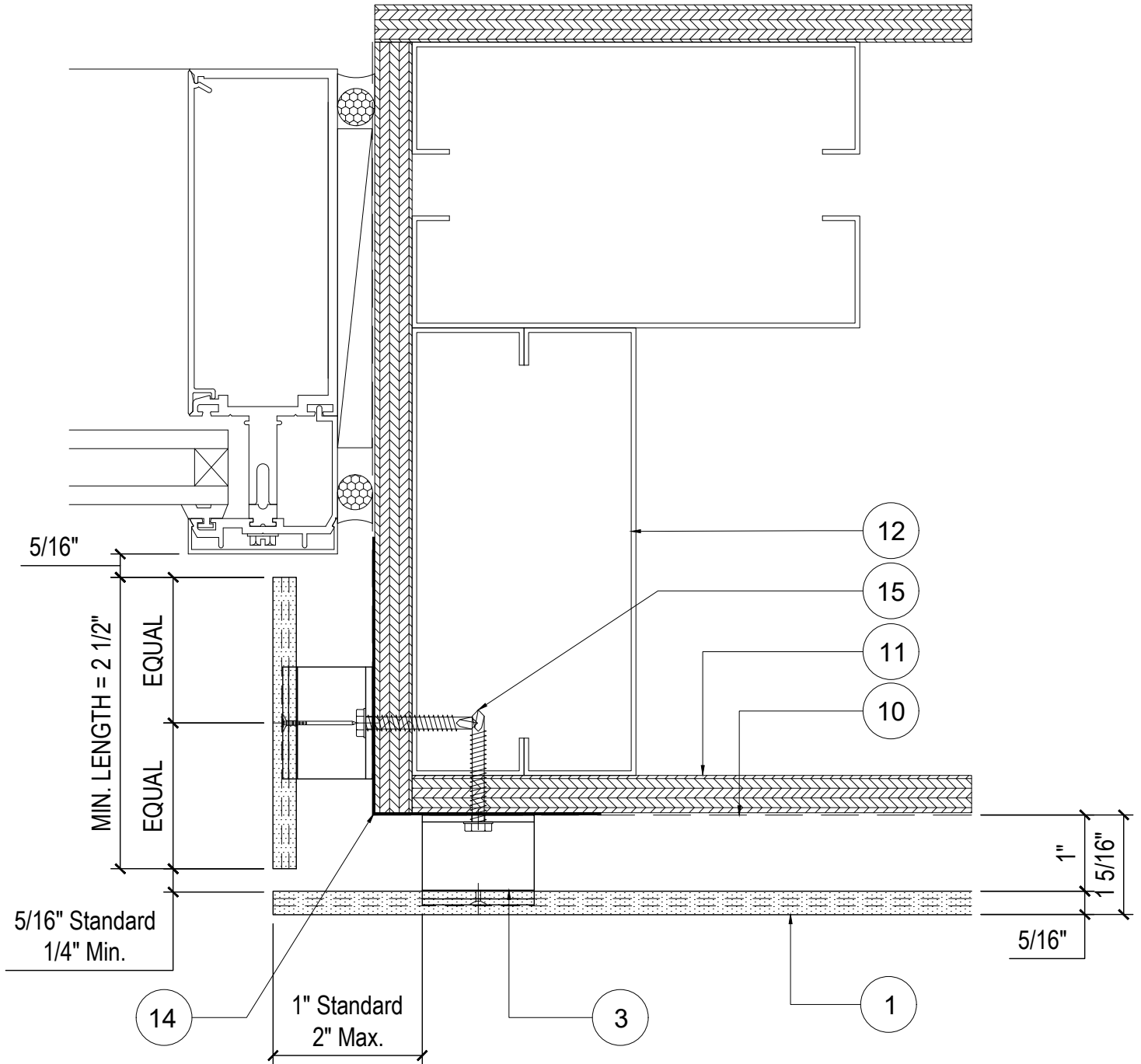
WINDOW JAMB
DETAIL (K1)

DWG. BY: ACE

CHK. BY: ACE

PG. NO: 14 OF 28

MIN LENGTH = 2 1/2" - 2" TO ALLOW FOR COVERAGE OF CLIP + 1/4" OVERAGE ON EACH SIDE
 PANEL LENGTH > 4" 2 CLIPS ARE REQUIRED



EASYMEG



STANDARD DETAIL CREATION

06/15/2023

REV.

ISSUANCE

DATE

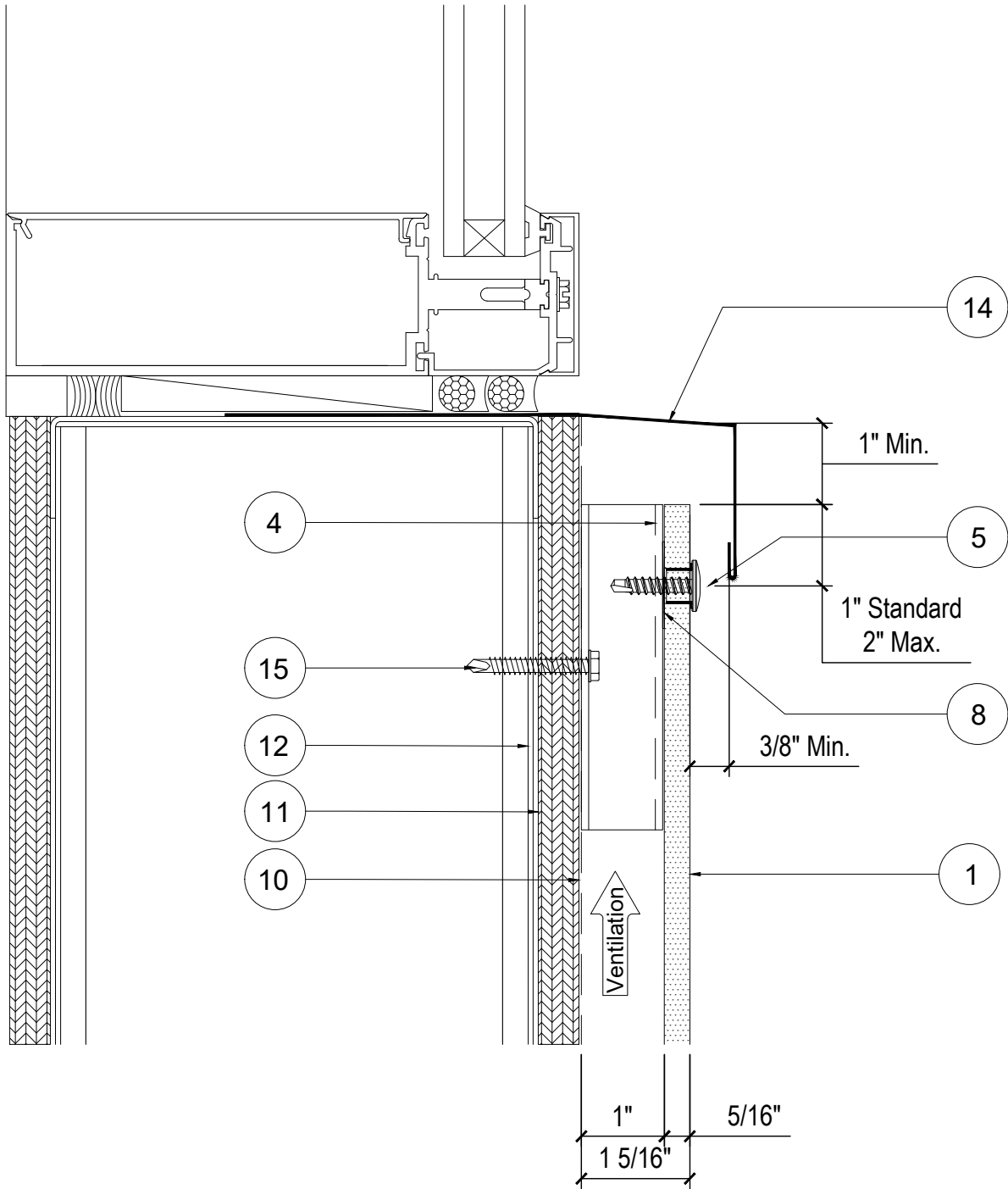
DETAIL NAME:

WINDOW JAMB
 DETAIL (K2)

DWG. BY: ACE

CHK. BY: ACE

PG. NO: 15 OF 28



EASYMEG



STANDARD DETAIL CREATION

06/15/2023

REV.

ISSUANCE

DATE

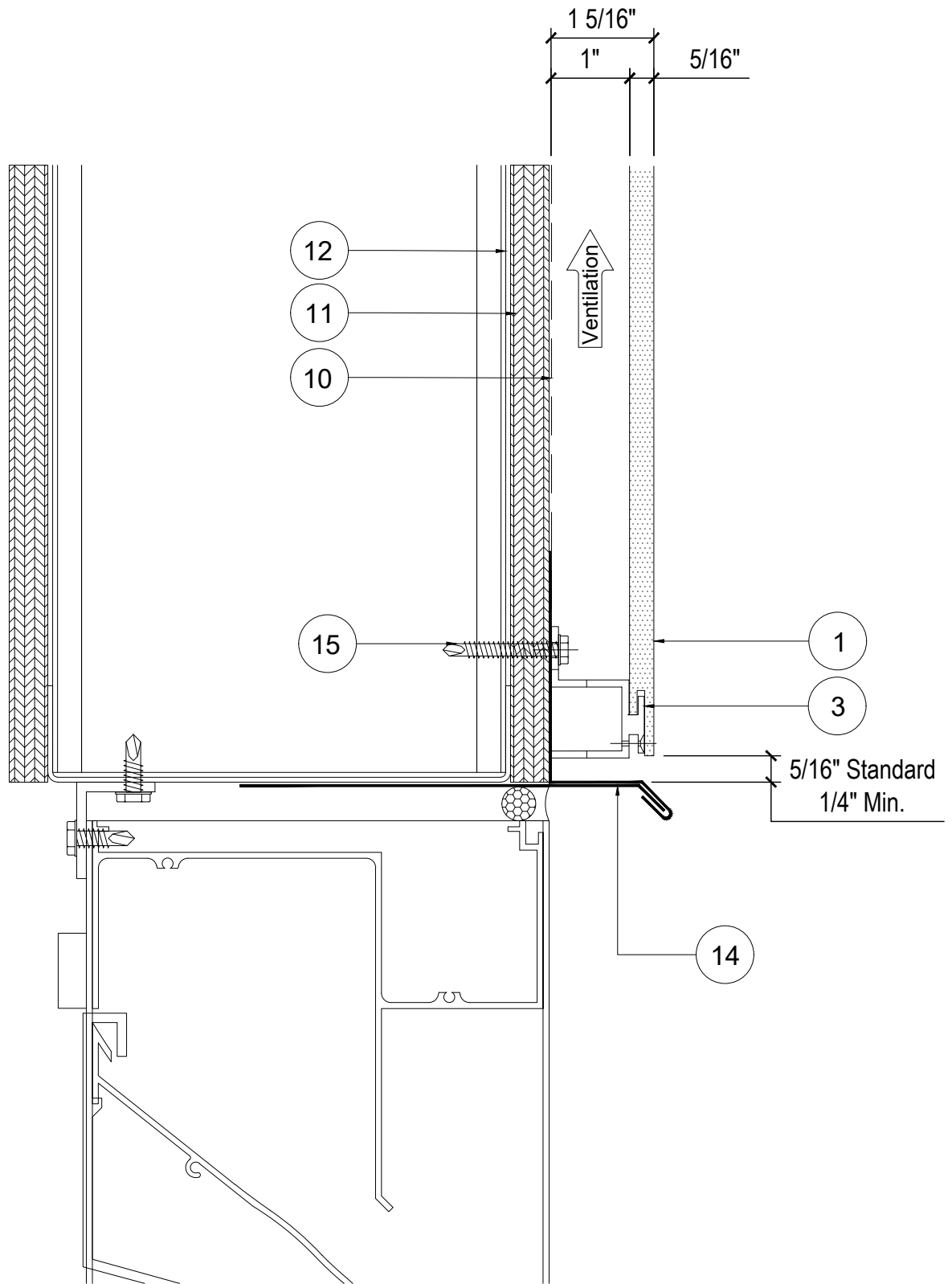
DETAIL NAME:

WINDOW SILL
DETAIL (L)

DWG. BY: ACE

CHK. BY: ACE

PG. NO: 16 OF 28



EASYMEG



STANDARD DETAIL CREATION

06/15/2023

REV.

ISSUANCE

DATE

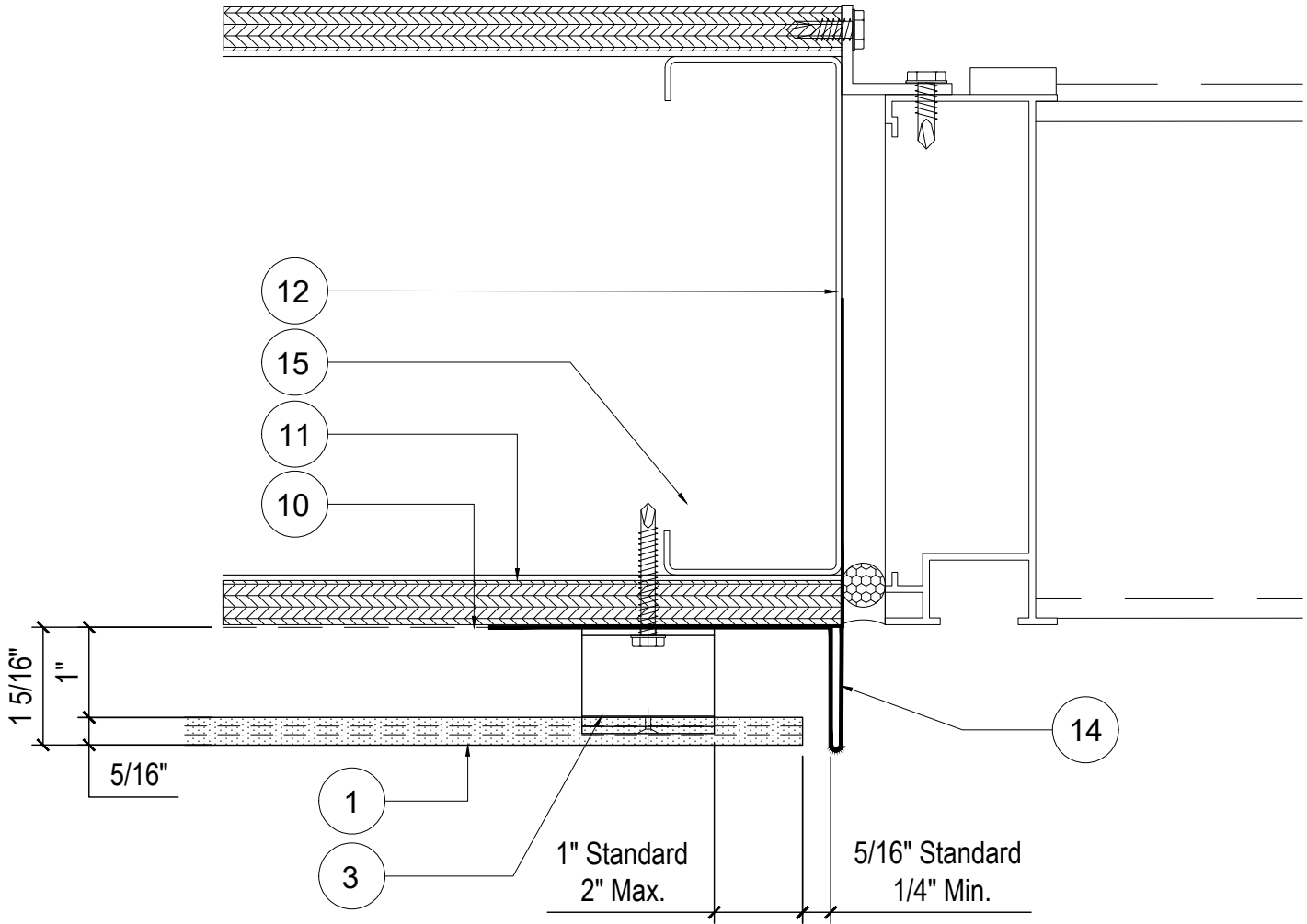
DETAIL NAME:

**LOUVER HEAD
DETAIL (M)**

DWG. BY: ACE

CHK. BY: ACE

PG. NO: 17 OF 28



EASYMEG

△ 0

STANDARD DETAIL CREATION

06/15/2023

REV.

ISSUANCE

DATE

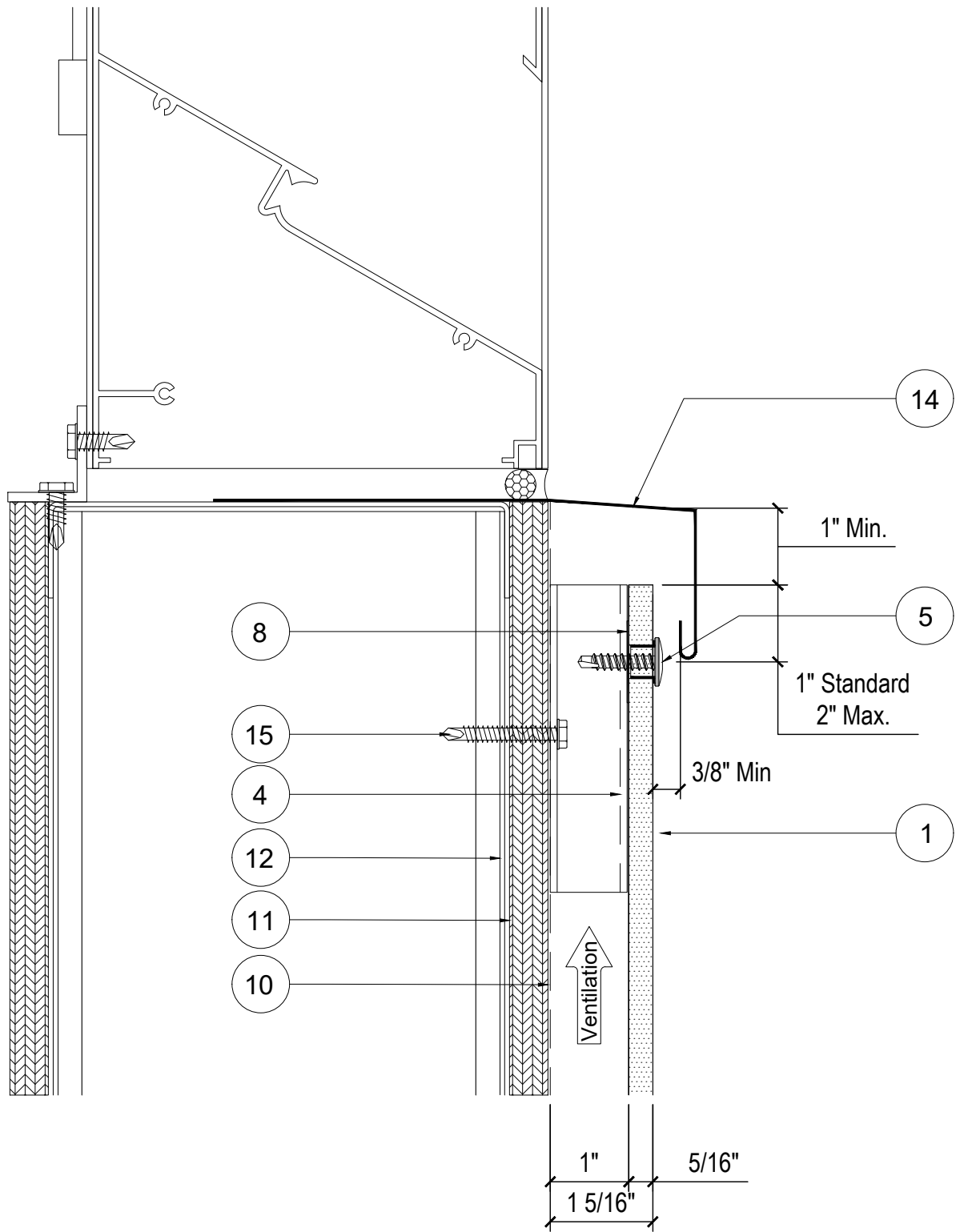
DETAIL NAME:

**LOUVER JAMB
DETAIL (N)**

DWG. BY: ACE

CHK. BY: ACE

PG. NO: 18 OF 28



EASYMEG



STANDARD DETAIL CREATION

06/15/2023

REV.

ISSUANCE

DATE

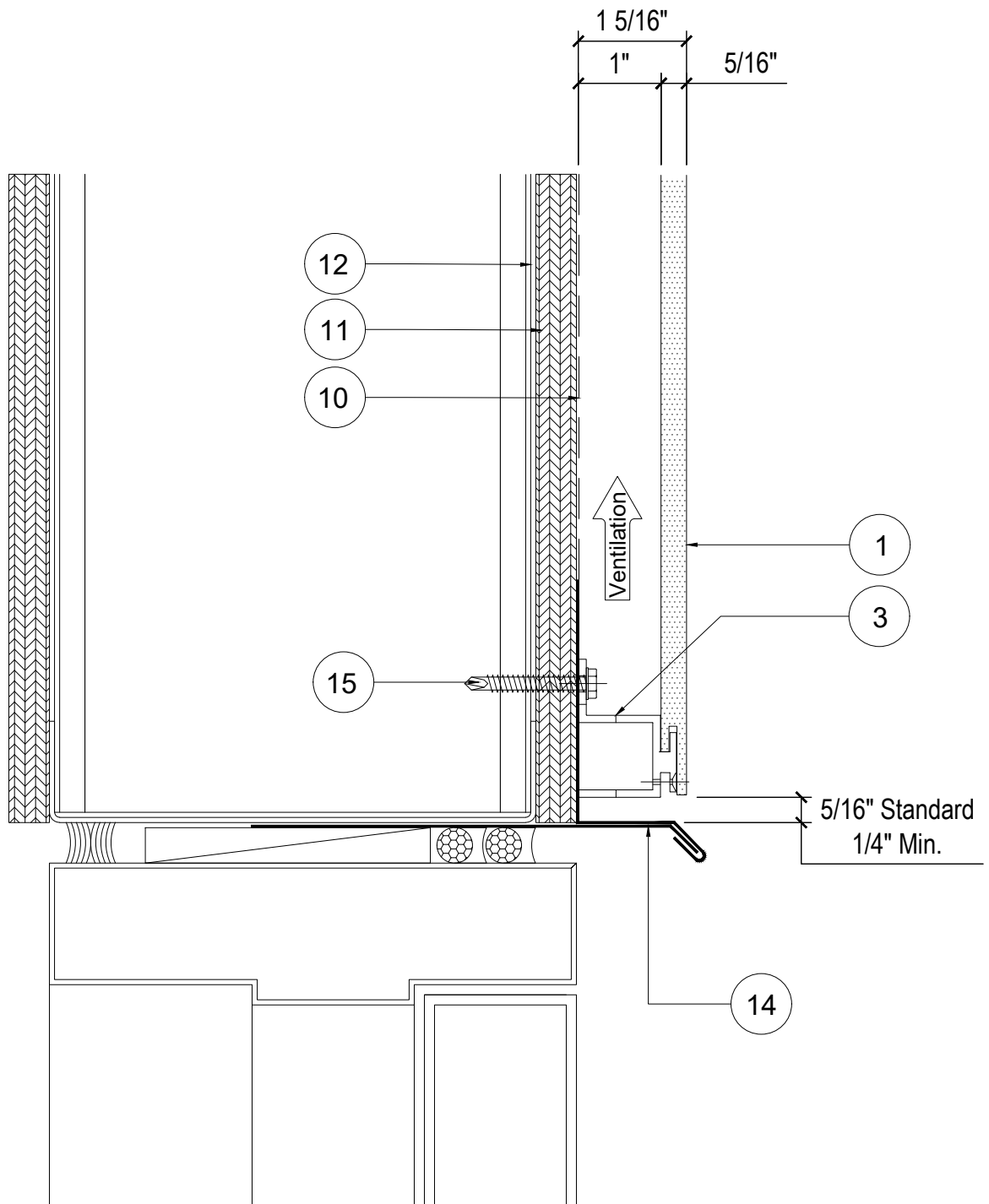
DETAIL NAME:

**LOUVER SILL
DETAIL (P)**

DWG. BY: ACE

CHK. BY: ACE

PG. NO: 19 OF 28



EASYMEG



STANDARD DETAIL CREATION

06/15/2023

REV.

ISSUANCE

DATE

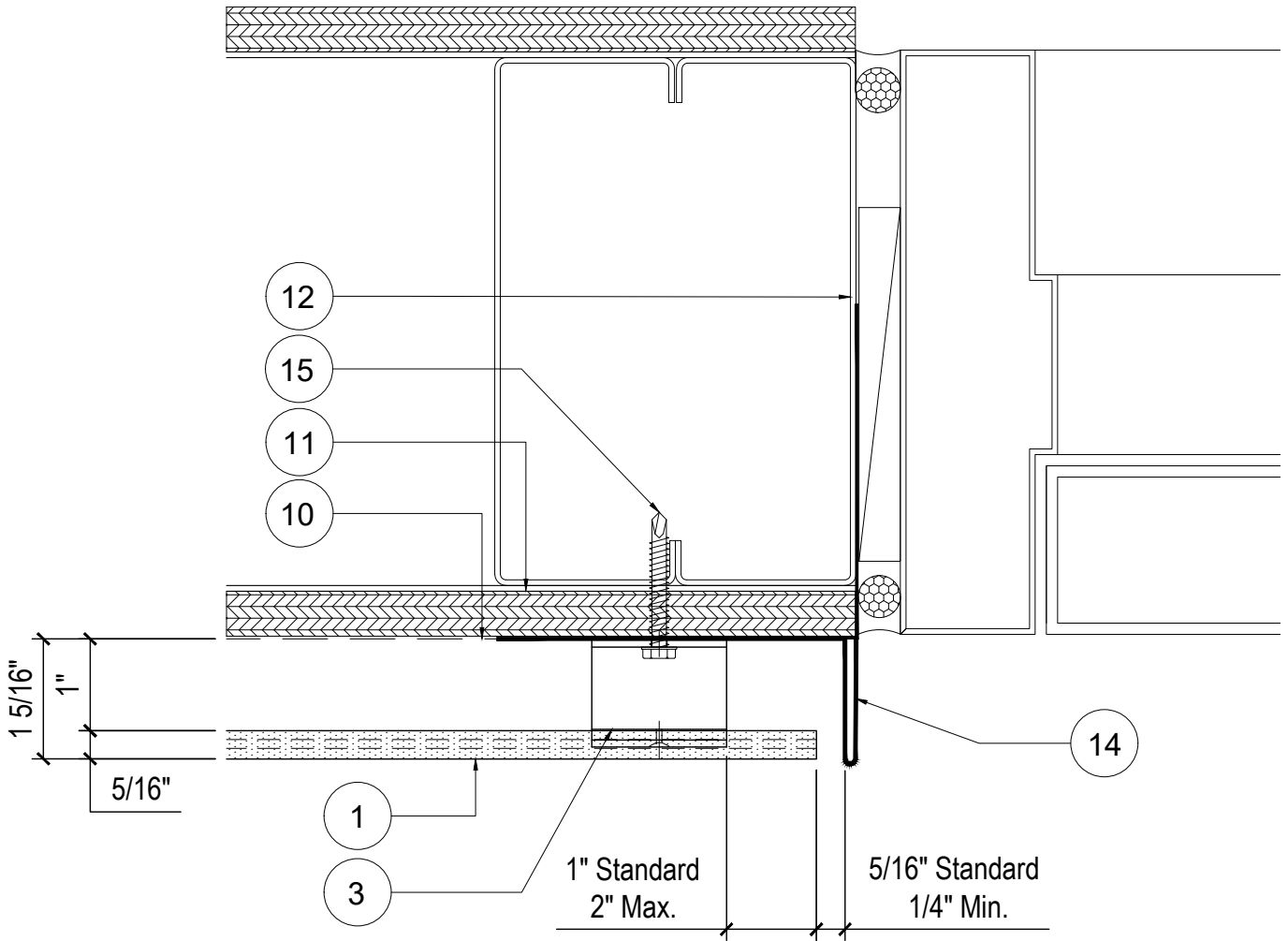
DETAIL NAME:

H.M. DOOR HEAD
DETAIL (Q)

DWG. BY: ACE

CHK. BY: ACE

PG. NO: 20 OF 28



EASYMEG



STANDARD DETAIL CREATION

06/15/2023

REV.

ISSUANCE

DATE

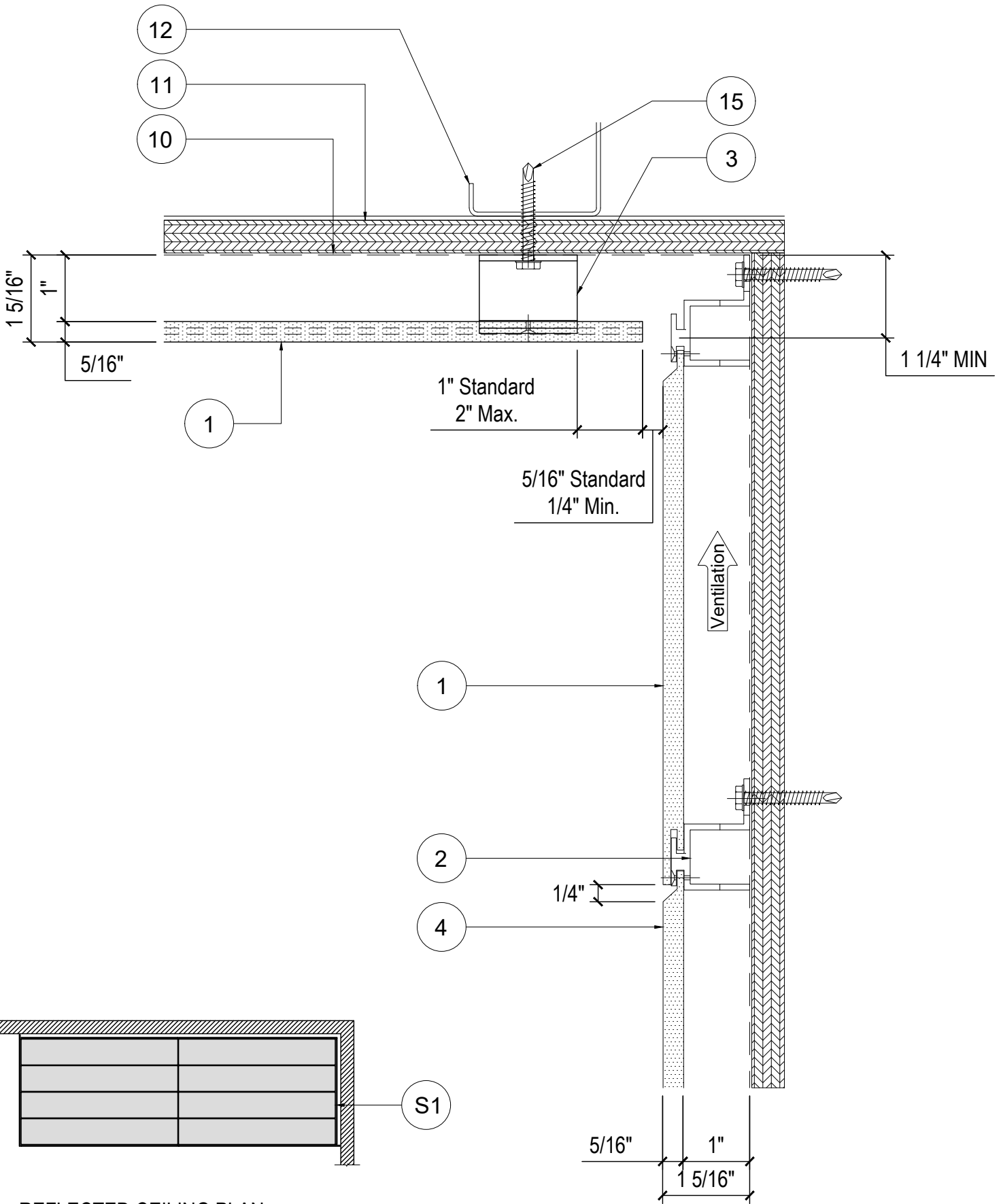
DETAIL NAME:

**H.M. DOOR JAMB
DETAIL (R)**

DWG. BY: ACE

CHK. BY: ACE

PG. NO: 21 OF 28



REFLECTED CEILING PLAN

EASYMEG



STANDARD DETAIL CREATION

06/15/2023

REV.

ISSUANCE

DATE

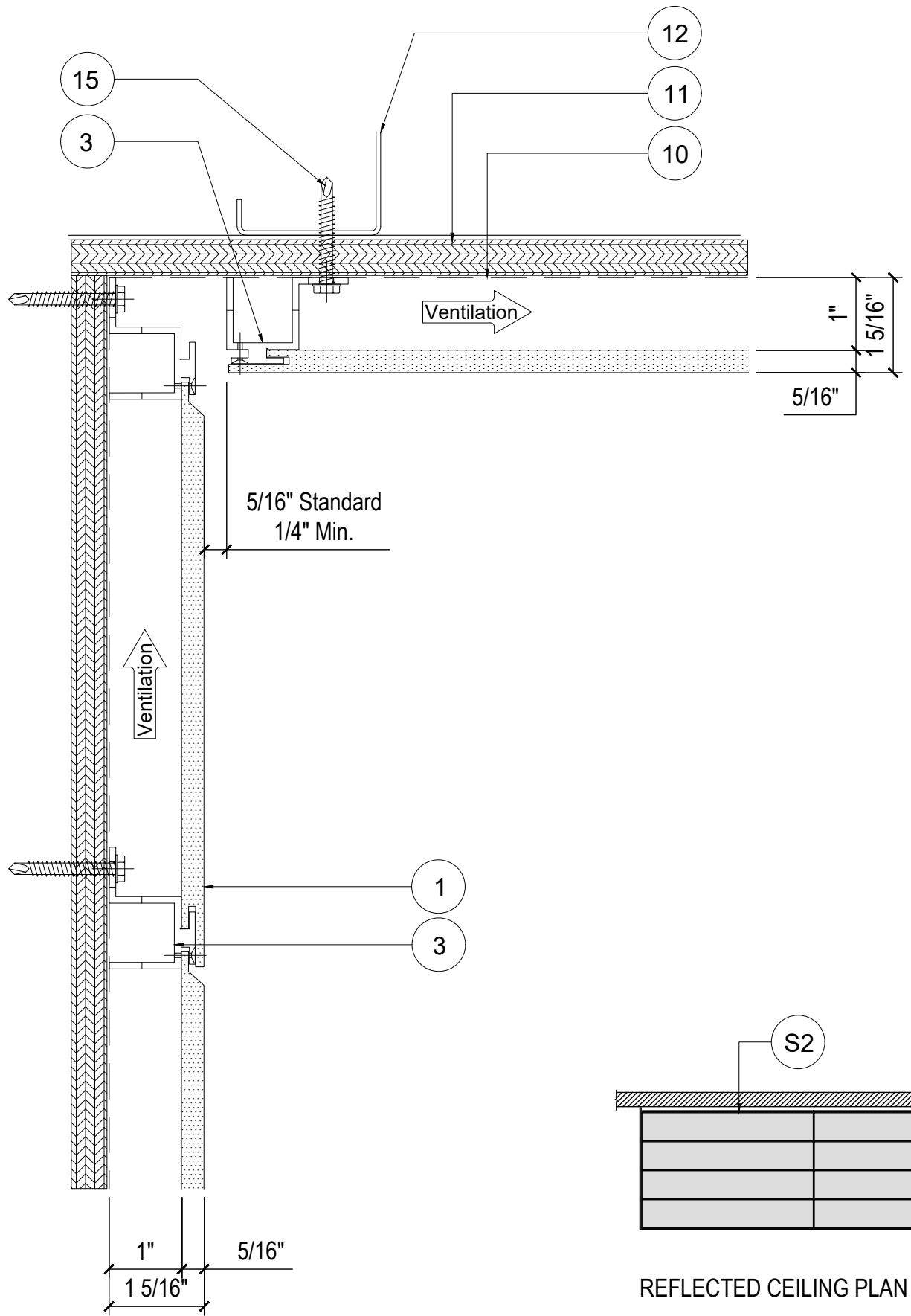
DETAIL NAME:

**PANEL SOFFIT TRANSITION
DETAIL (S1)**

DWG. BY: ACE

CHK. BY: ACE

PG. NO: 22 OF 28



EASMEG



STANDARD DETAIL CREATION

06/15/2023

REV.

ISSUANCE

DATE

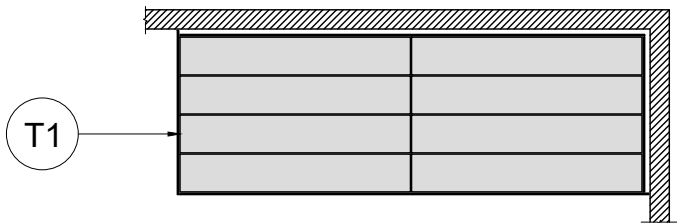
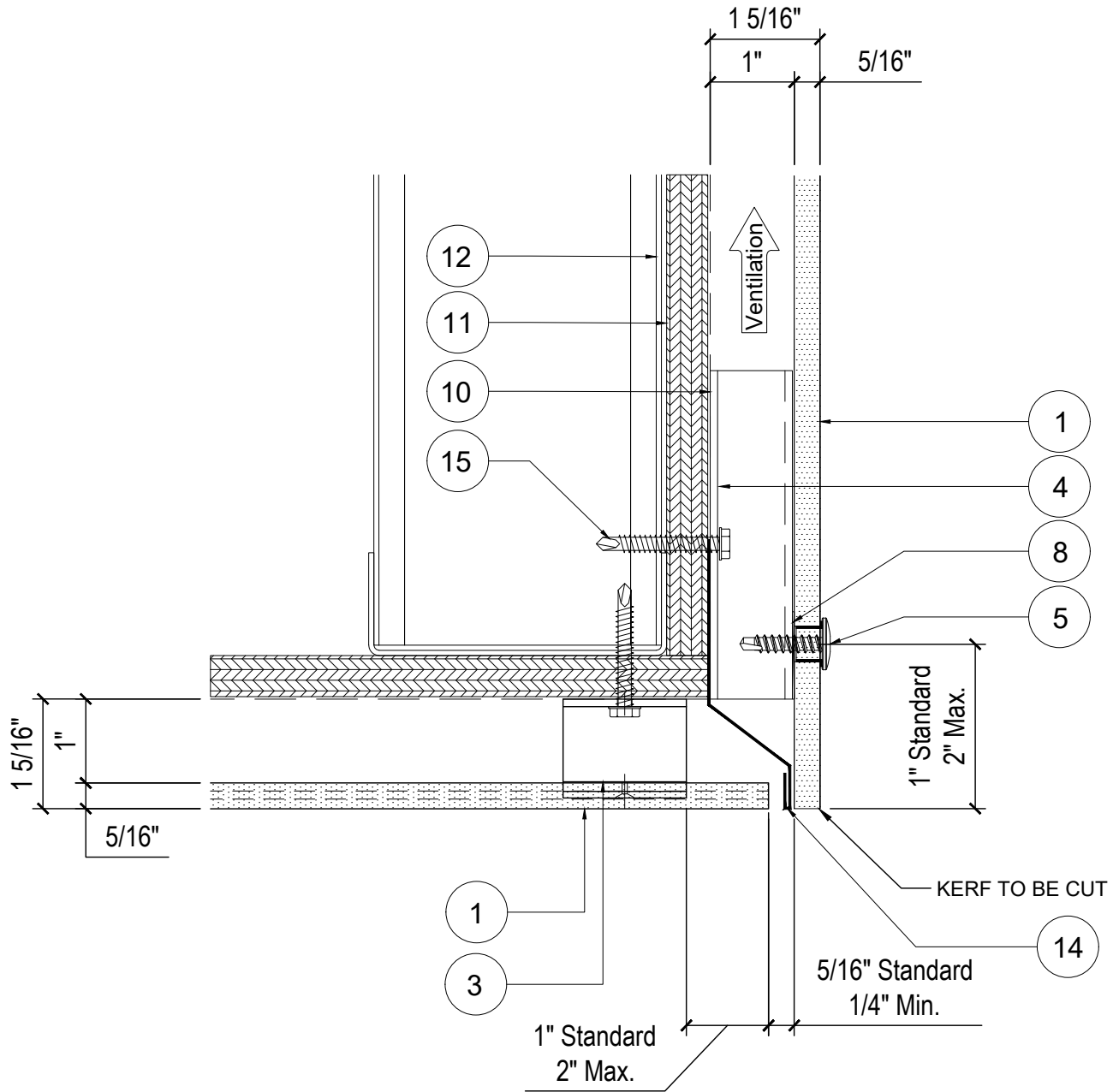
DETAIL NAME:

**PANEL SOFFIT TRANSITION
DETAIL (S2)**

DWG. BY: ACE

CHK. BY: ACE

PG. NO: 23 OF 28



REFLECTED CEILING PLAN

EASYMEG



STANDARD DETAIL CREATION

06/15/2023

REV.

ISSUANCE

DATE

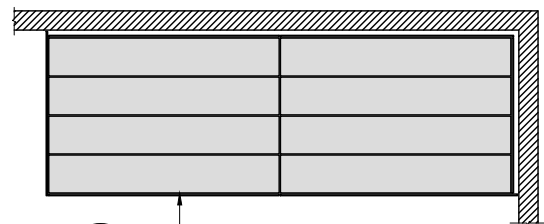
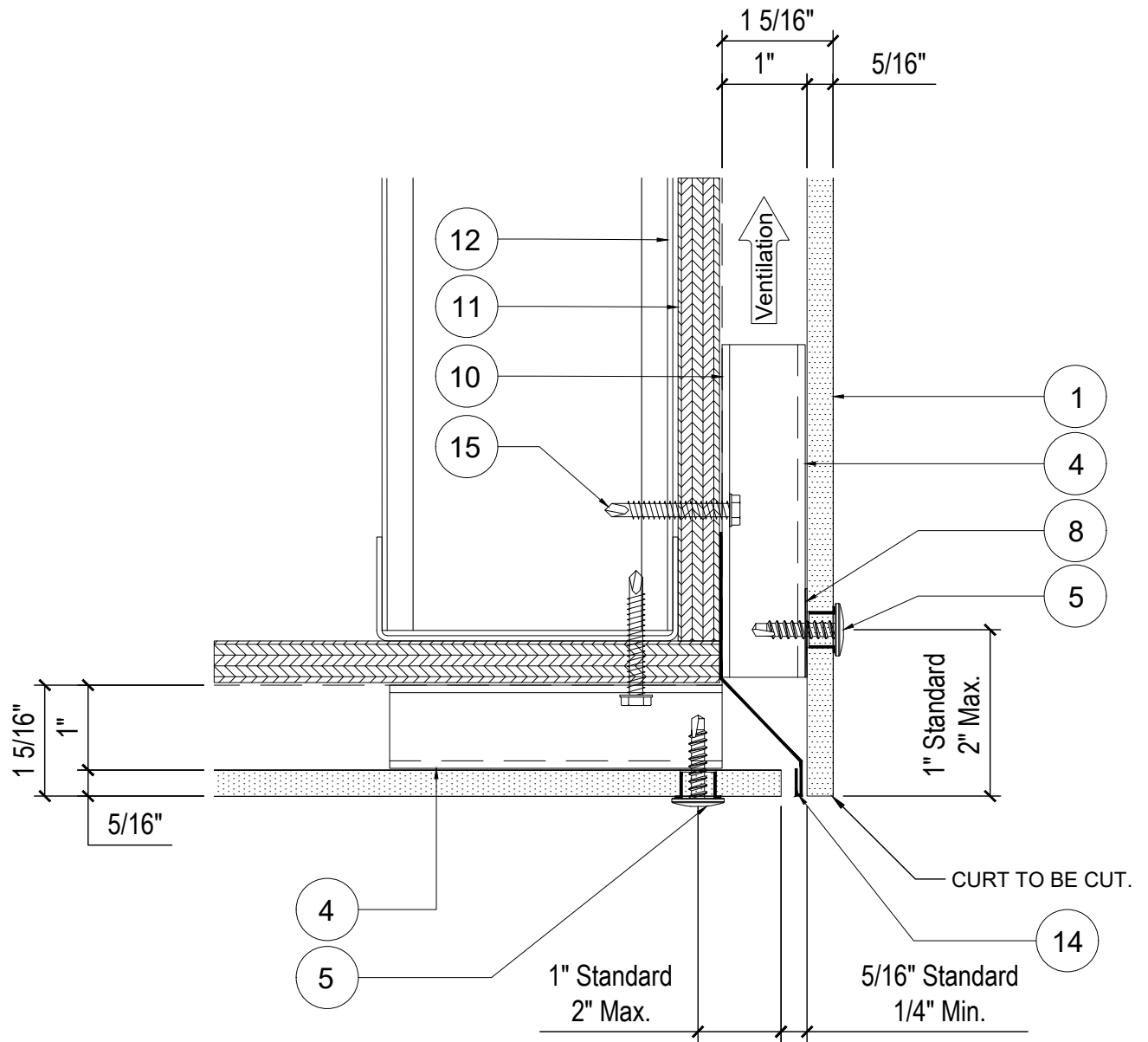
DETAIL NAME:

**PANEL SOFFIT TRANSITION
DETAIL (T1)**

DWG. BY: ACE

CHK. BY: ACE

PG. NO: 24 OF 28



REFLECTED CEILING PLAN

EASYMEG



STANDARD DETAIL CREATION

06/15/2023

REV.

ISSUANCE

DATE

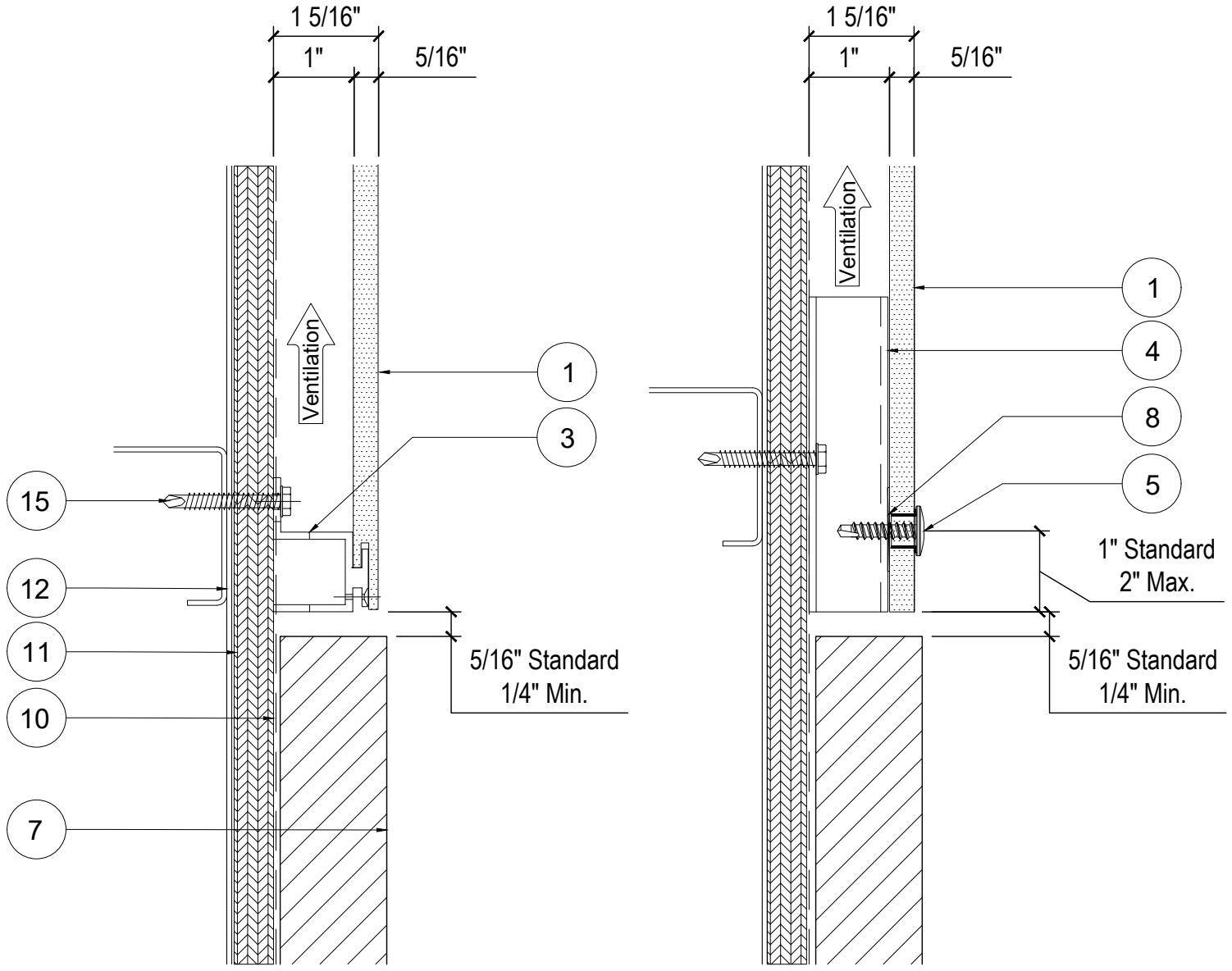
DETAIL NAME:

**PANEL SOFFIT TRANSITION
DETAIL (T2)**

DWG. BY: ACE

CHK. BY: ACE

PG. NO: 25 OF 28



EASYMEG



STANDARD DETAIL CREATION

06/15/2023

REV.

ISSUANCE

DATE

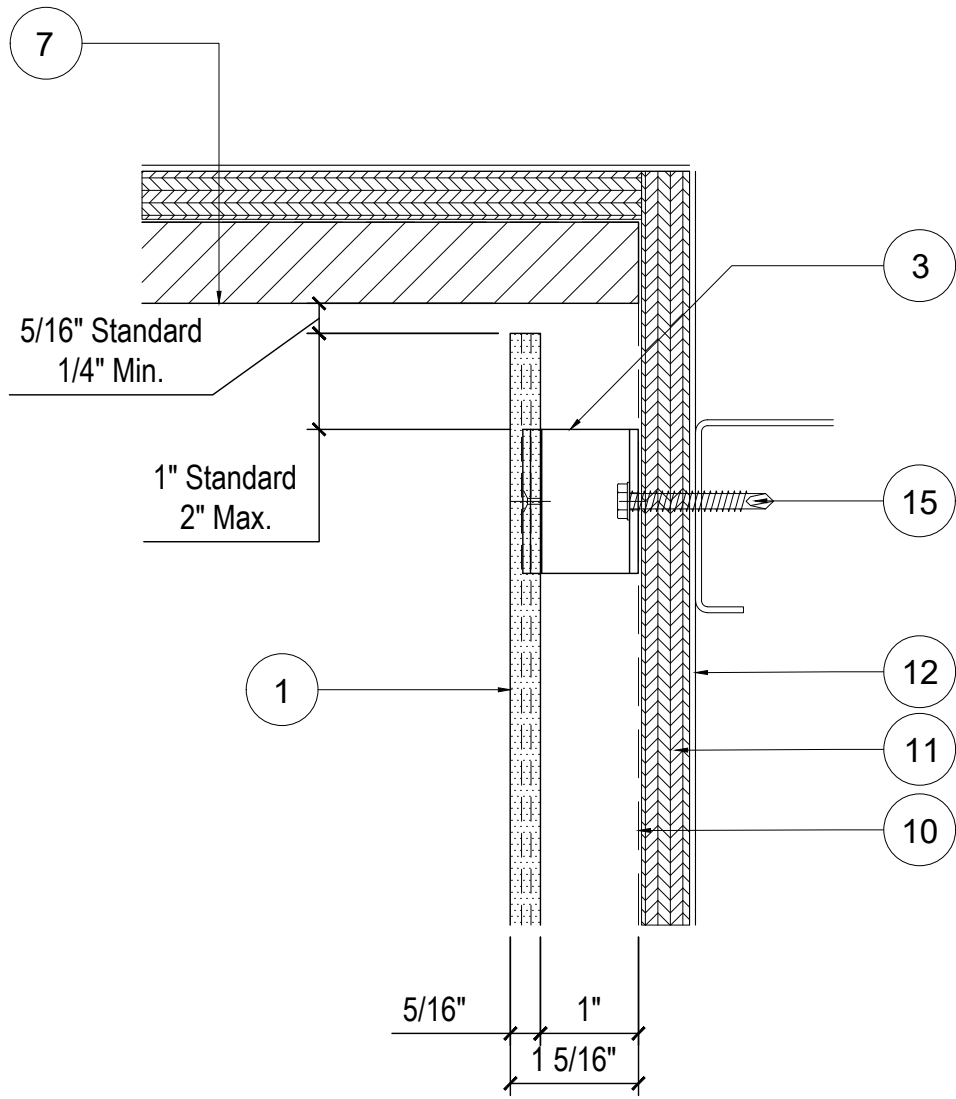
DETAIL NAME:

**HORIZONTAL TRANSITION
DETAIL @ ARCH. PANEL (U)**

DWG. BY: ACE

CHK. BY: ACE

PG. NO: 26 OF 28



EASYMEG

0

STANDARD DETAIL CREATION

06/15/2023

REV.

ISSUANCE

DATE

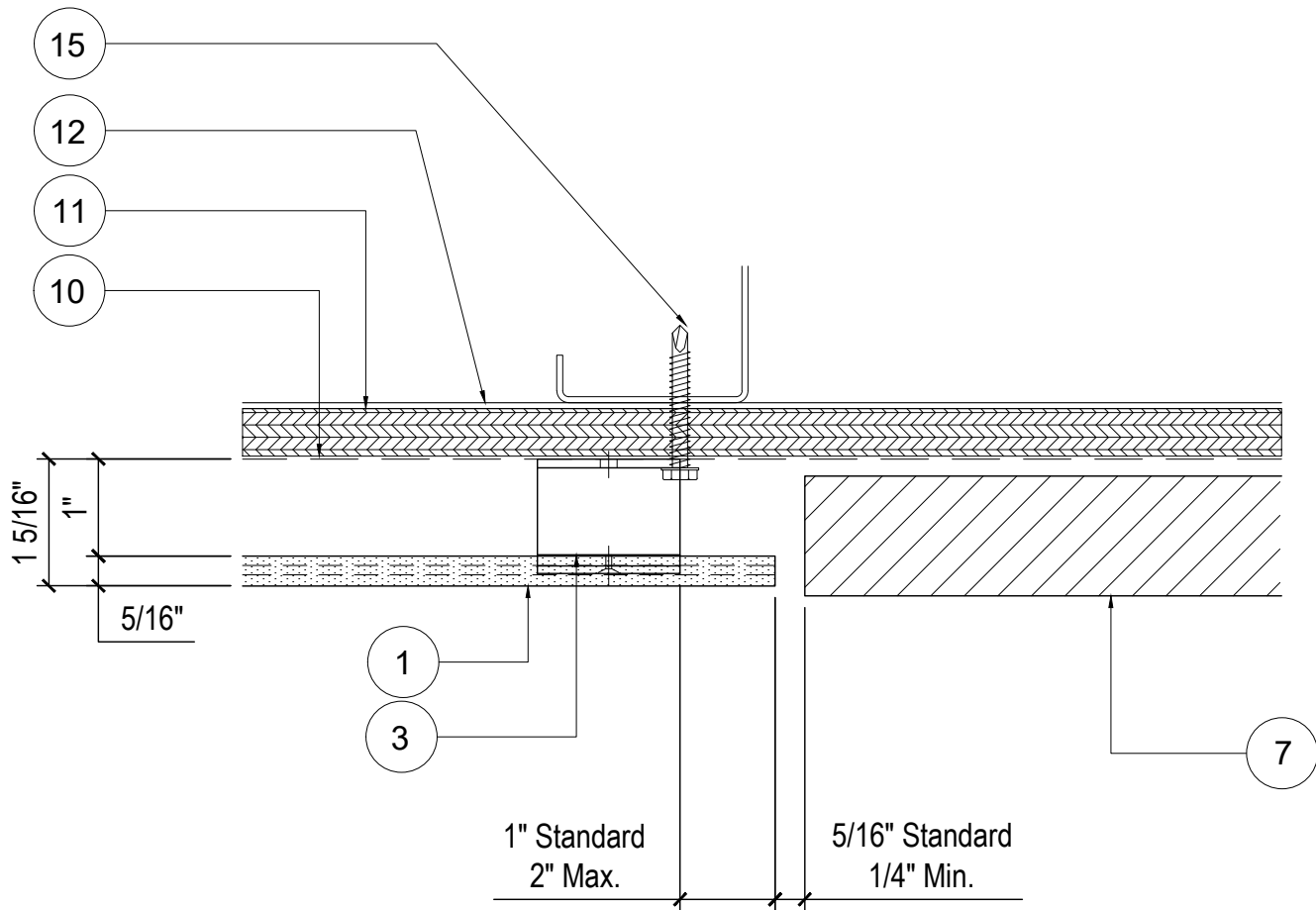
DETAIL NAME:

**VERTICAL TRANSITION
DETAIL @ ARCH. PANEL (V)**

DWG. BY: ACE

CHK. BY: ACE

PG. NO: 27 OF 28



EASYMEG



STANDARD DETAIL CREATION

06/15/2023

REV.

ISSUANCE

DATE

DETAIL NAME:

**VERTICAL TRANSITION
DETAIL @ ARCH. PANEL (W)**

DWG. BY: ACE

CHK. BY: ACE

PG. NO: 28 OF 28