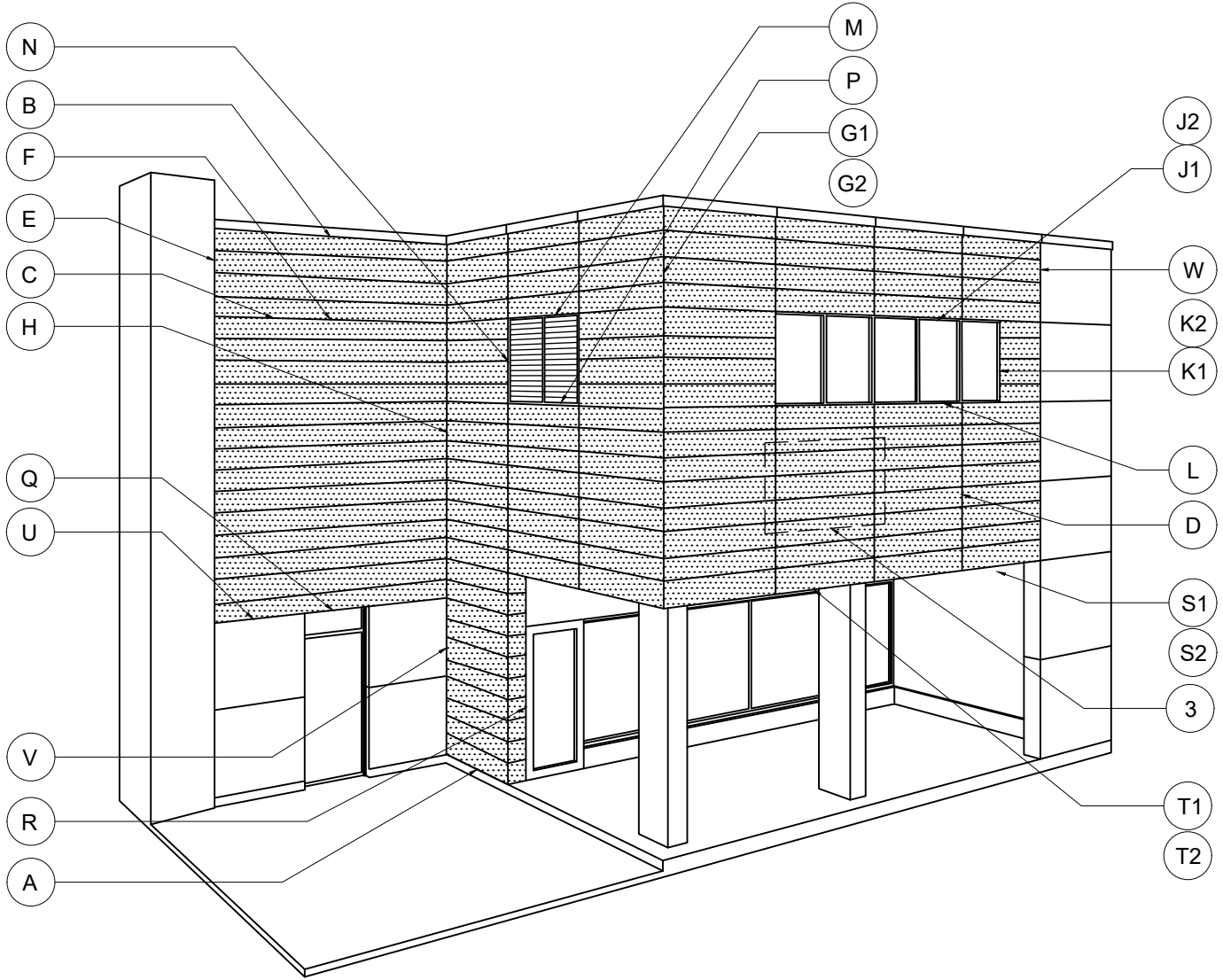


EASYMEG RAIL - PLANK SYSTEM HORIZONTAL APPLICATION



EASYMEG



STANDARD DETAIL CREATION

08/23/2023

REV.

ISSUANCE

DATE

DETAIL NAME:

DWG. BY: ACE

CHK. BY: ACE

PG. NO: OF 28

LEGEND DETAILS

- ① 5/16" [8mm] THK., ABET EASY MEG PLANK
- | | |
|---|--------------------------------|
| <u>Standard Sizes:</u> | <u>Thickness Available:</u> |
| * 8" x 120", 12" x 120"
16" x 120", 24" x 120" | * 5/16" [8mm]
* 3/8" [10mm] |
- ② SET POINT NAIL -
ONLY 1 PER PLANK AT CENTER
- ③ EASYMEG RAIL (6005-T5 ALUM. RAIL)
- ④ 4" LONG Z FURRING (0.90" - 6005-T5 Alum.) OR
EQUIVALENT
- ⑤ SFS SX3-D16, COLOR MATCHED FASTENER
- ⑥ XB02 - PERFORATED SILL FLASHING (OPTIONAL)
- ⑦ WALL STRUCTURE/MATERIAL (BY OTHERS)
- ⑧ 1/4" SHIM (EPDM SHIM w/ ADHESIVE)
- ⑨ INSULATION (BY OTHERS)
- ⑩ AIR/VAPOUR BARRIER (BY OTHERS)
- ⑪ SUBSTRATE (BY OTHERS)
- ⑫ STRUCTURAL FRAMING (BY OTHERS)
- ⑬ CONCRETE (BY OTHERS)
- ⑭ METAL TRIMS/FLASHING/CAP (BY OTHERS)
- ⑮ FASTENER (BY OTHERS)
- ⑯ WOOD FURRING (BY OTHERS)
- ⑰ EPDM GASKET (BY OTHERS)

TABLE OF CONTENTS

<u>Page No:</u>	<u>Details:</u>
00	DETAIL LOCATOR
01	TABLE OF CONTENTS
02	PARTIAL PANEL ELEVATION (0)
03	BOTTOM TERMINATION (A)
04	TOP TERMINATION DETAIL (B)
05	HORIZONTAL JOINT DETAIL (C)
06	VERTICAL JOINT DETAIL (D)
07	VERTICAL TERMINATION DETAIL (E)
08	PLAN MIDDLE SUPPORT DETAIL (F)
09	OUTSIDE CORNER DETAIL (Option 1) (G1)
10	OUTSIDE CORNER DETAIL (Option 2) (G2)
11	VERTICAL INSIDE CORNER DETAIL (H)
12	WINDOW HEAD DETAIL (Option 1) (J1)
13	WINDOW HEAD DETAIL (Option 2) (J2)
14	WINDOW JAMB DETAIL (Option 1) (K1)
15	WINDOW JAMB DETAIL (Option 2) (K2)
16	WINDOW SILL DETAIL (L)
17	LOUVER HEAD DETAIL (M)
18	LOUVER JAMB DETAIL (N)
19	LOUVER SILL DETAIL (P)
20	H.M. DOOR HEAD DETAIL (Q)
21	H.M. DOOR JAMB DETAIL (R)
22	PANEL/SOFFIT TRANSITION DETAIL (1) (S1)
23	PANEL/SOFFIT TRANSITION DETAIL (2) (S2)
24	PANEL/FASCIA TRANSITION DETAIL (1) (T1)
25	PANEL/FASCIA TRANSITION DETAIL (2) (T2)
26	VERTICAL TRANSITION DETAIL (U)
27	VERTICAL TRANSITION DETAIL (V)
28	HORIZONTAL TRANSITION DETAIL (W)

EASYMEG



STANDARD DETAIL CREATION

08/23/2023

REV.

ISSUANCE

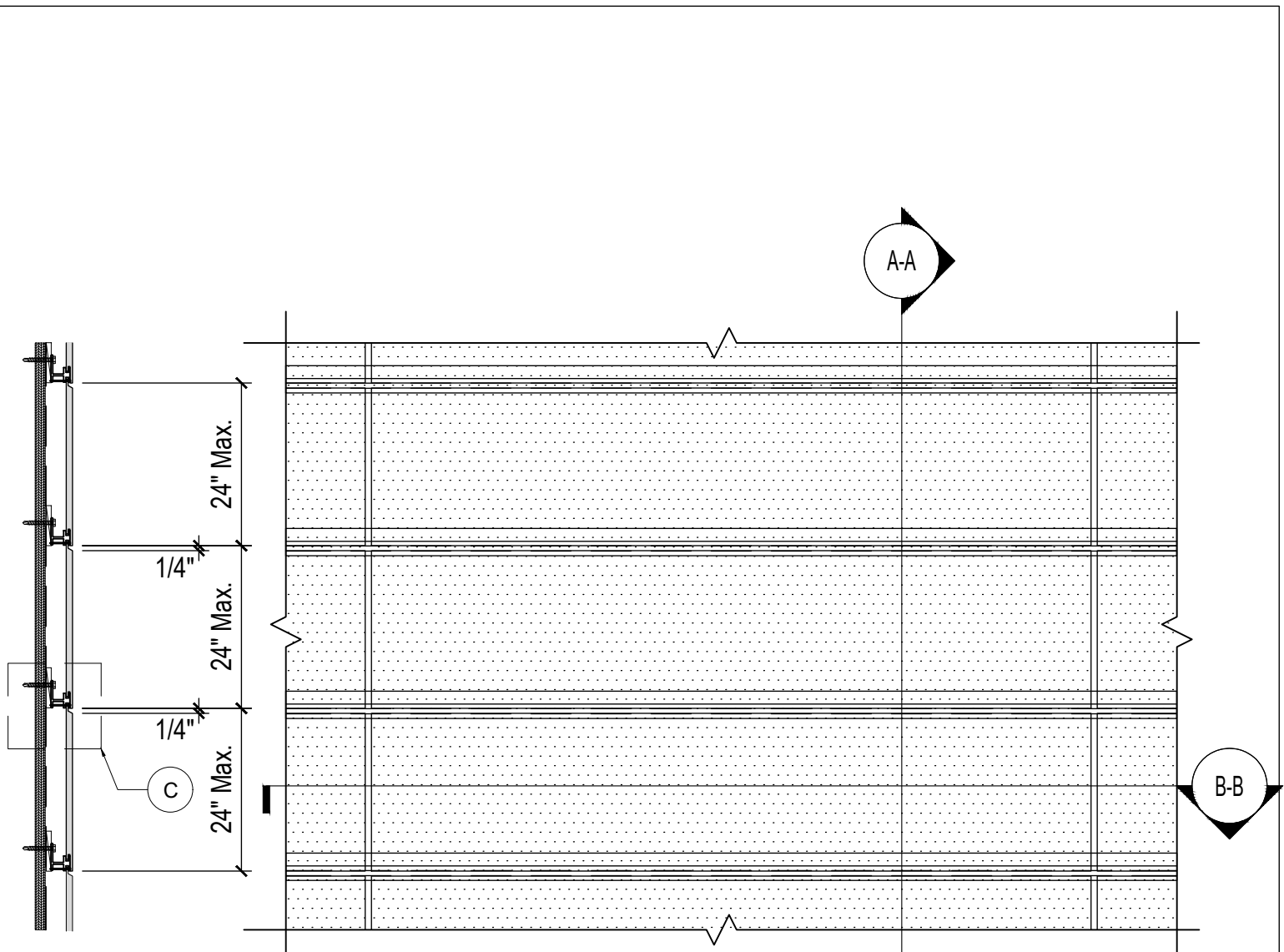
DATE

DETAIL NAME:

DWG. BY: ACE

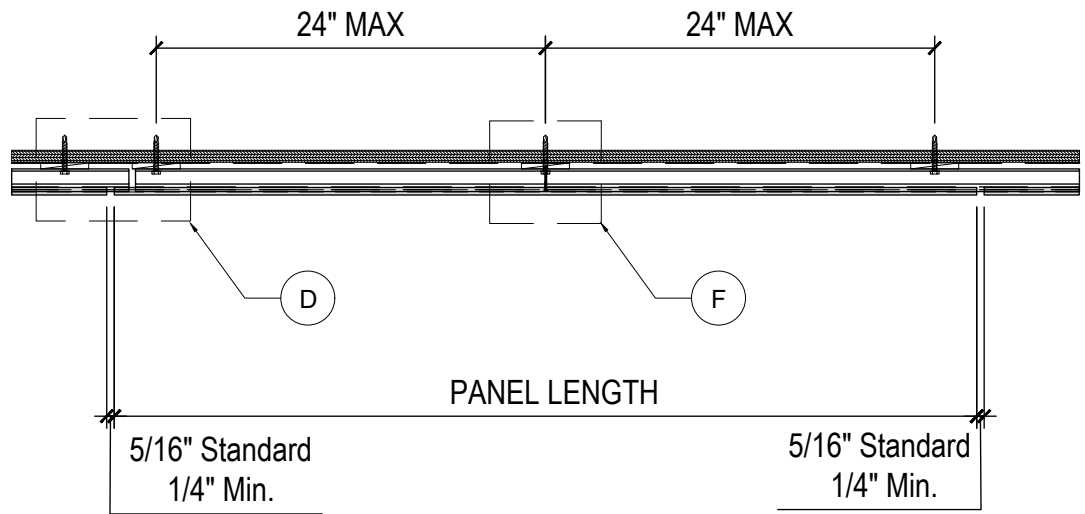
CHK. BY: ACE

PG. NO: 1 OF 28



A-A

ELEVATION SEGMENT



PANEL LENGTH

B-B

EASYMEG



STANDARD DETAIL CREATION

08/23/2023

REV.

ISSUANCE

DATE

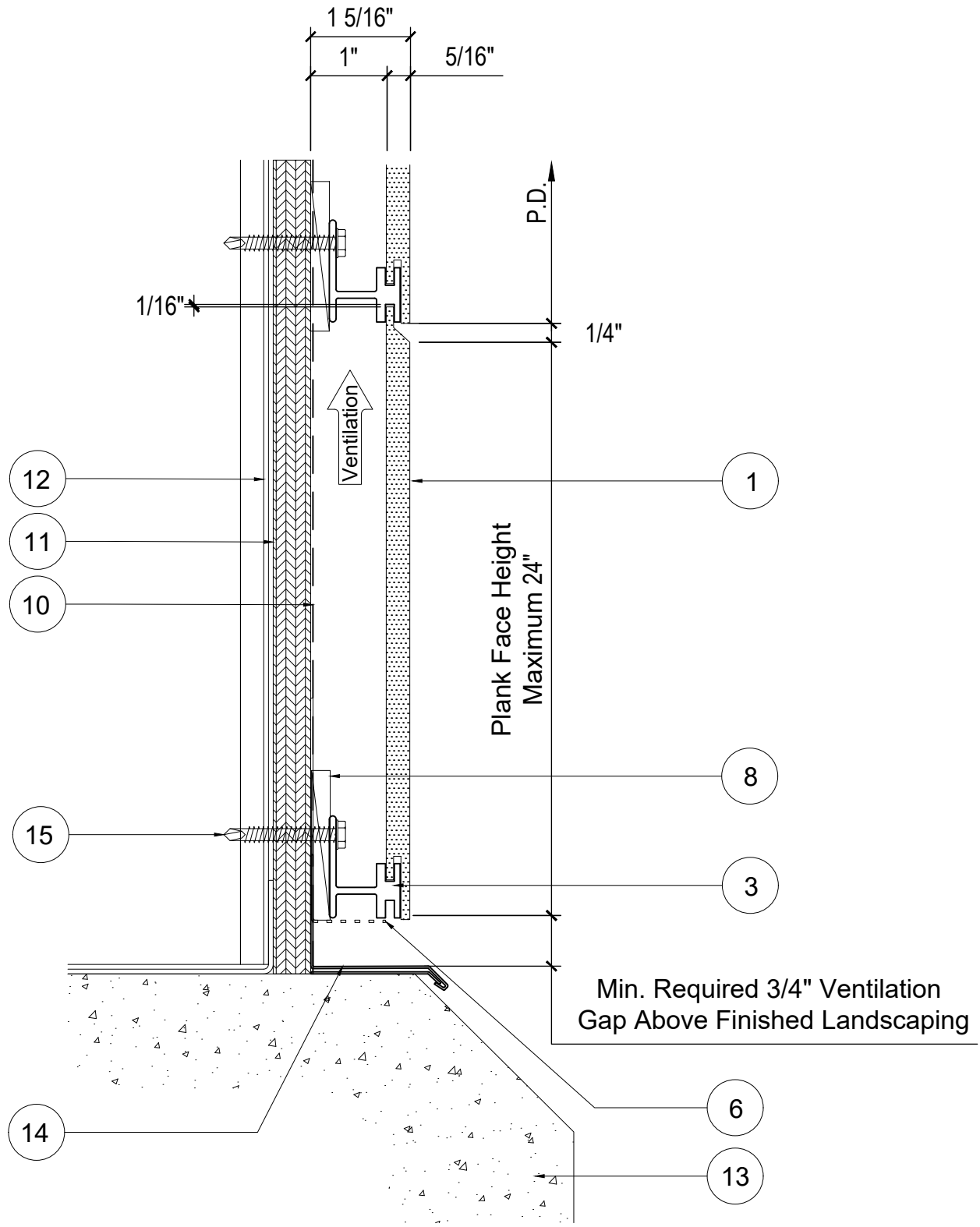
DETAIL NAME:

**ELEVATION SEGMENT
HORIZONTAL APPLICATION**

DWG. BY: ACE

CHK. BY: ACE

PG. NO: 3 OF 28



EASMEG



STANDARD DETAIL CREATION

08/23/2023

REV.

ISSUANCE

DATE

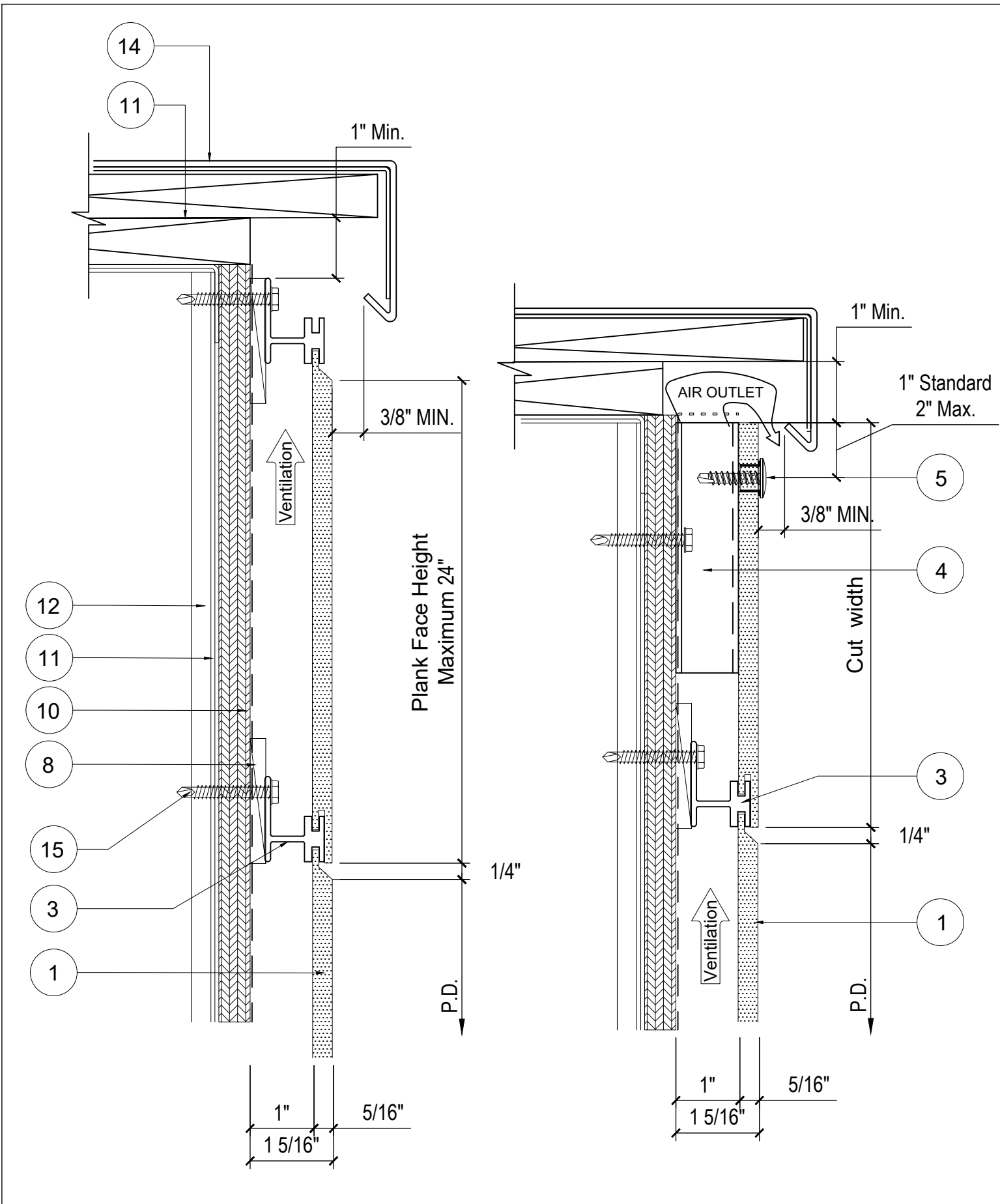
DETAIL NAME:

**BOTTOM TERMINATION
DETAIL (A)**

DWG. BY: ACE

CHK. BY: ACE

PG. NO: 3 OF 28



EASYMEG



STANDARD DETAIL CREATION

08/23/2023

REV.

ISSUANCE

DATE

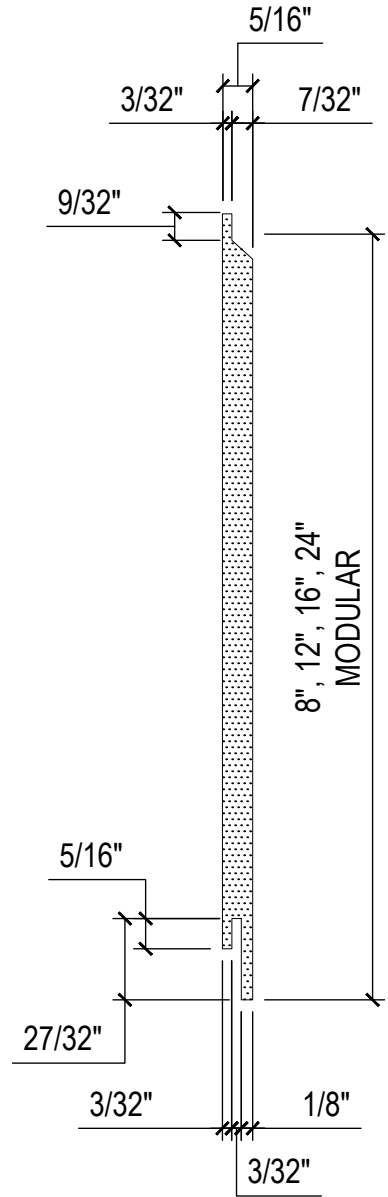
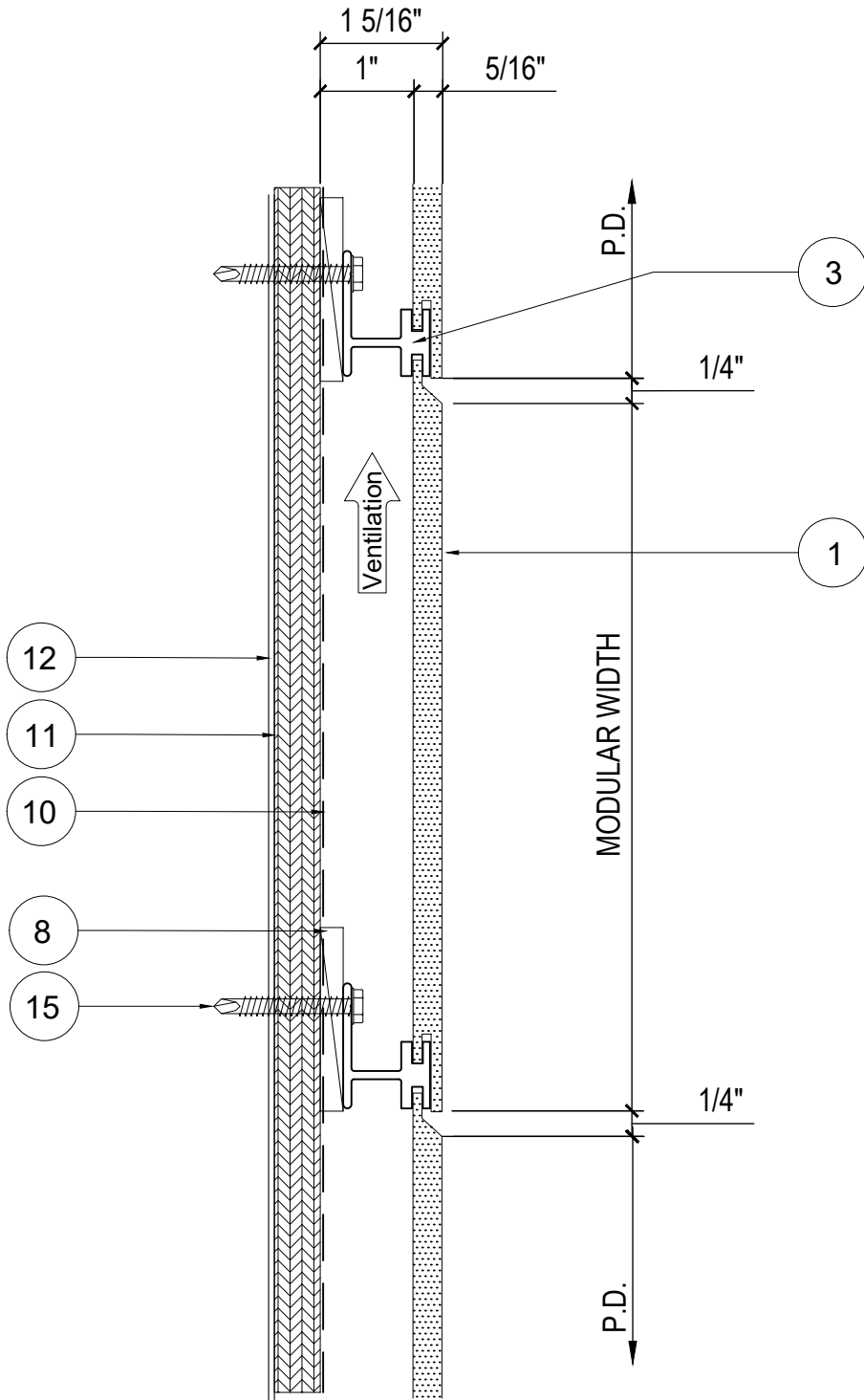
DETAIL NAME:

**TOP TERMINATION
DETAIL (B)**

DWG. BY: ACE

CHK. BY: ACE

PG. NO: 4 OF 28



TYPICAL PANEL PROFILE

EASYMEG



STANDARD DETAIL CREATION

08/23/2023

REV.

ISSUANCE

DATE

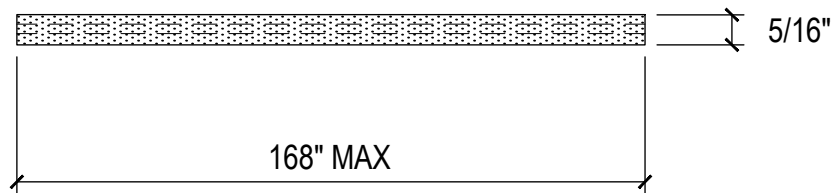
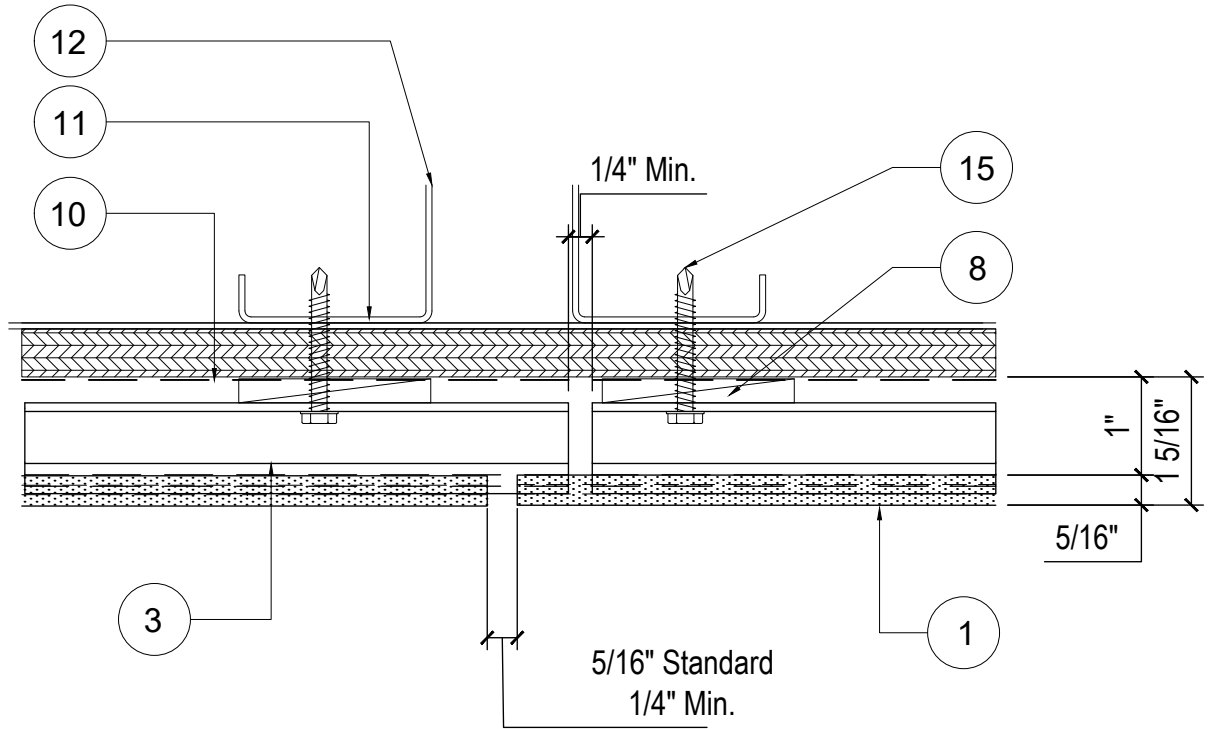
DETAIL NAME:

TYPICAL HORIZONTAL
JOINT DETAIL (C)

DWG. BY: ACE

CHK. BY: ACE

PG. NO: 5 OF 28



EASMEG



STANDARD DETAIL CREATION

08/23/2023

REV.

ISSUANCE

DATE

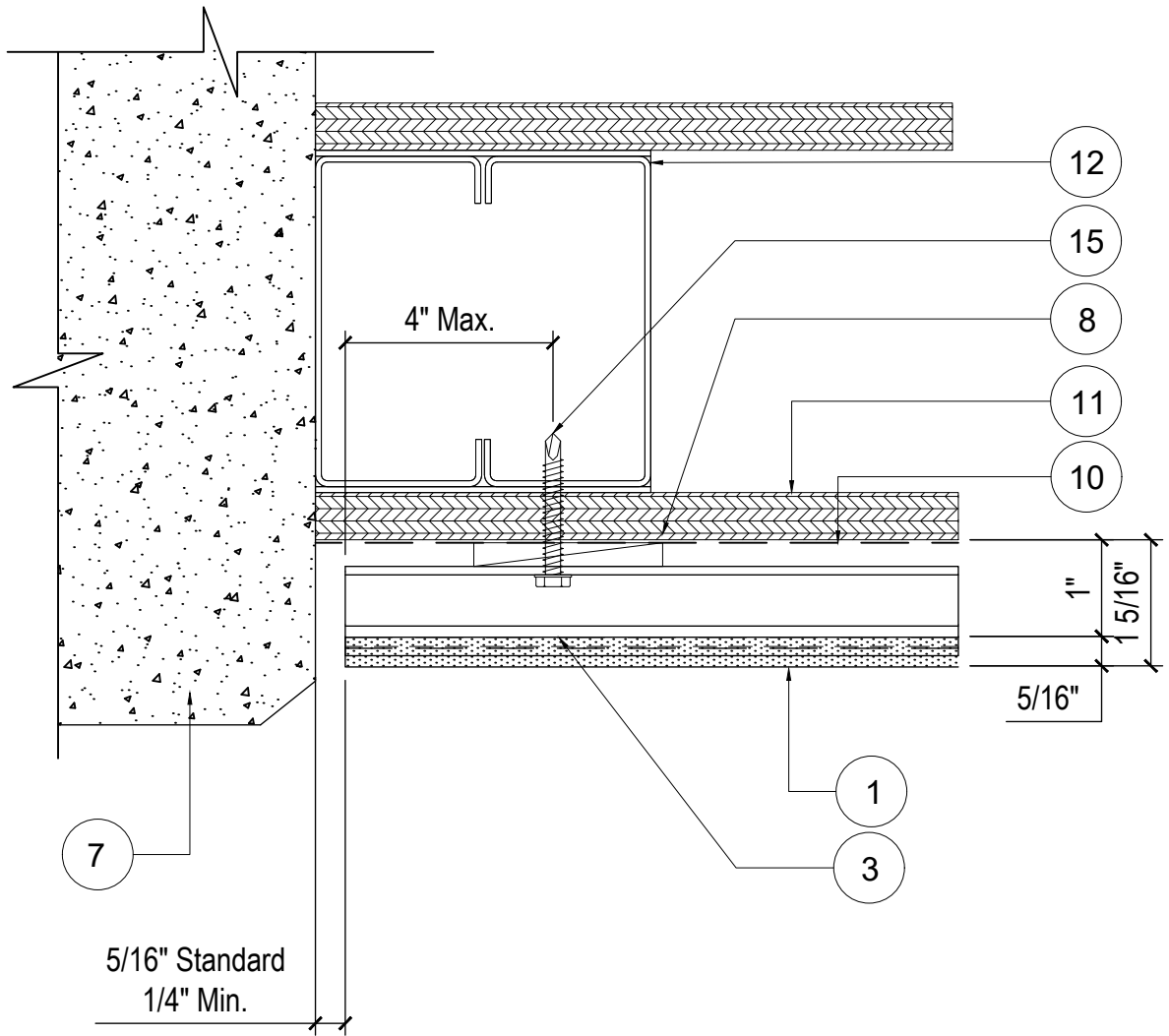
DETAIL NAME:

**TYPICAL VERTICAL
JOINT DETAIL (D)**

DWG. BY: ACE

CHK. BY: ACE

PG. NO: 6 OF 28



EASYMEG



STANDARD DETAIL CREATION

08/23/2023

REV.

ISSUANCE

DATE

DETAIL NAME:

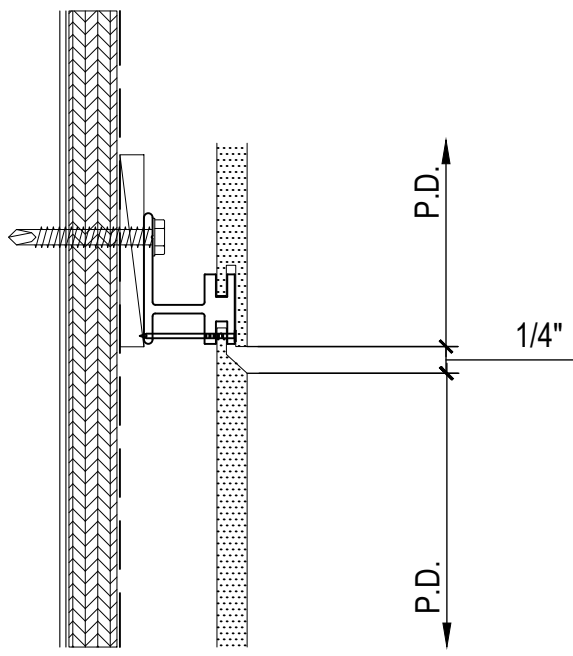
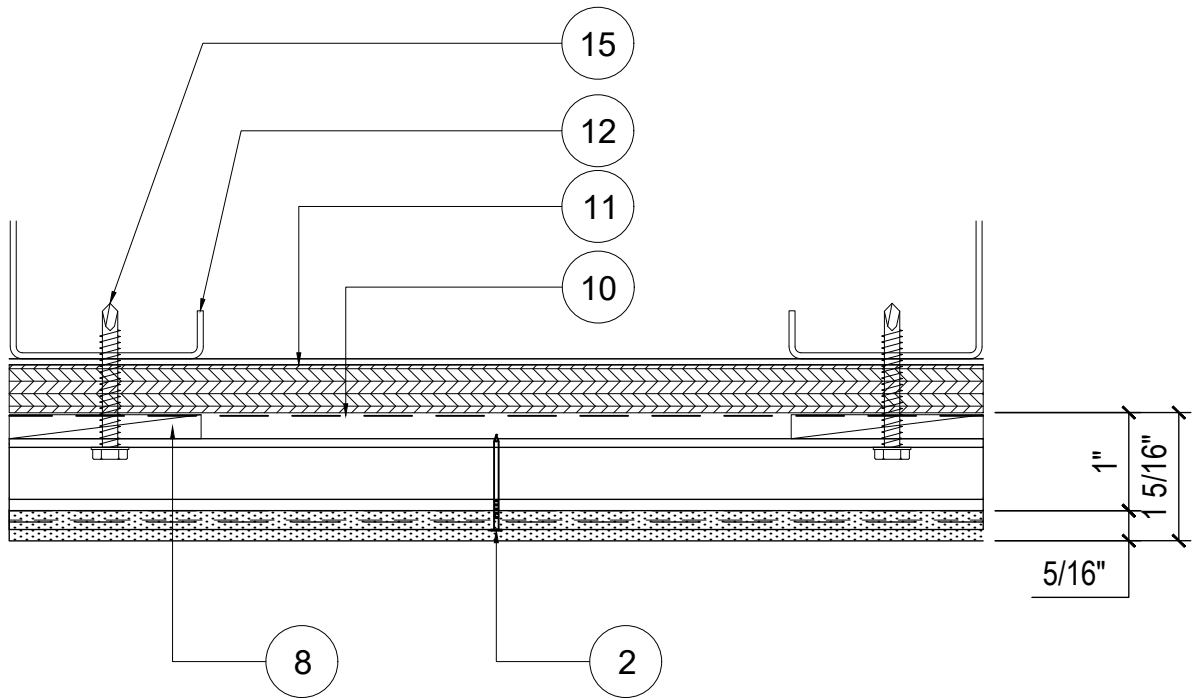
**VERTICAL TERMINATION
DETAIL (E)**

DWG. BY: ACE

CHK. BY: ACE

PG. NO: 7 OF 28

SET POINT NAIL IS USED AT THE CENTERMOST POINT ON THE PLANK
 ONLY 1 SET POINT NAIL IS TO BE USED PER PLANK



EASMEG



STANDARD DETAIL CREATION

08/23/2023

REV.

ISSUANCE

DATE

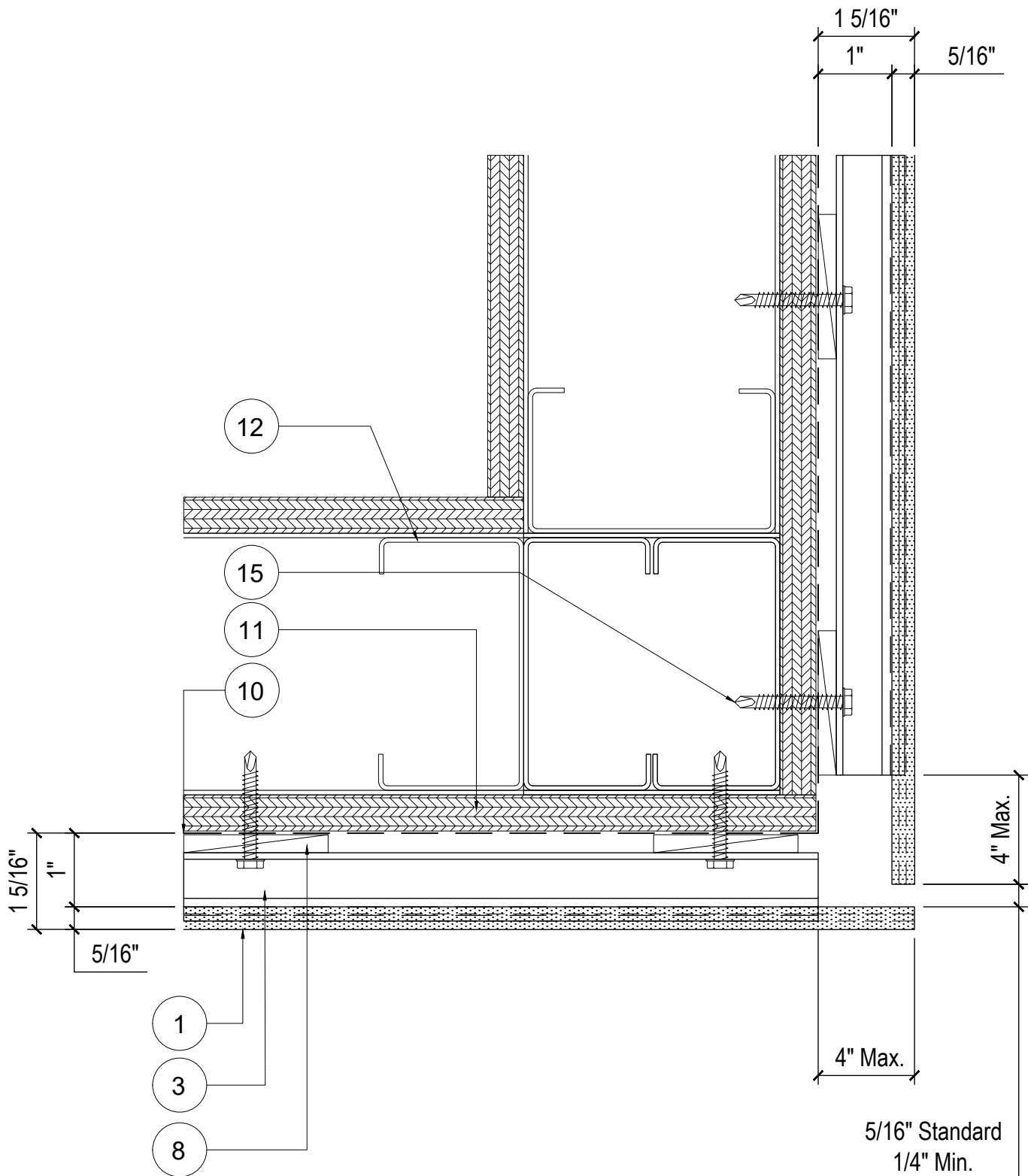
DETAIL NAME:

PLAN MIDDLE SUPPORT
 DETAIL (F)

DWG. BY: ACE

CHK. BY: ACE

PG. NO: 8 OF 28



EASYMEG



STANDARD DETAIL CREATION

08/23/2023

REV.

ISSUANCE

DATE

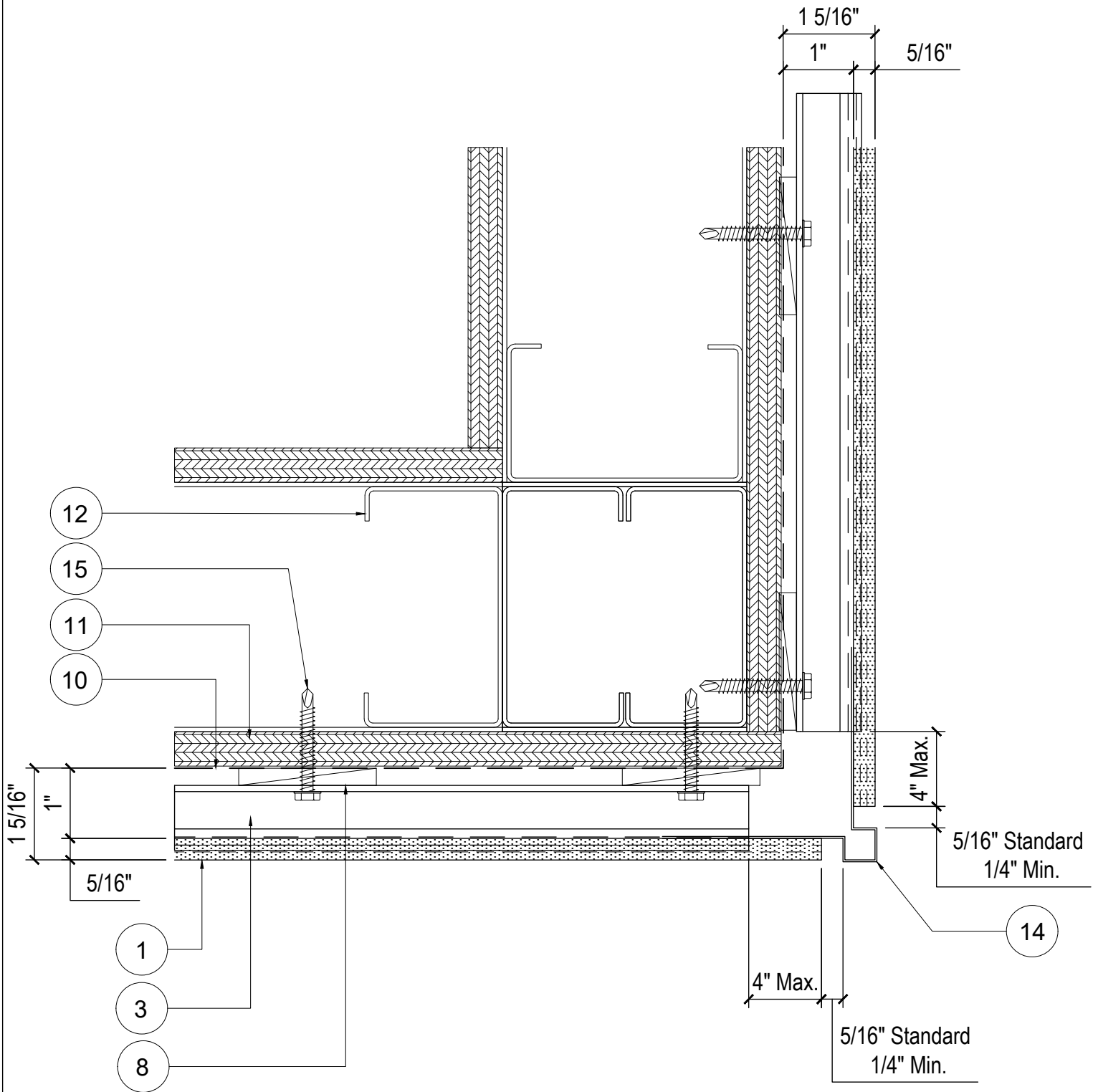
DETAIL NAME:

**VERTICAL OUTSIDE
CORNER DETAIL (G1)**

DWG. BY: ACE

CHK. BY: ACE

PG. NO: 9 OF 28



EASYMEG



STANDARD DETAIL CREATION

08/23/2023

REV.

ISSUANCE

DATE

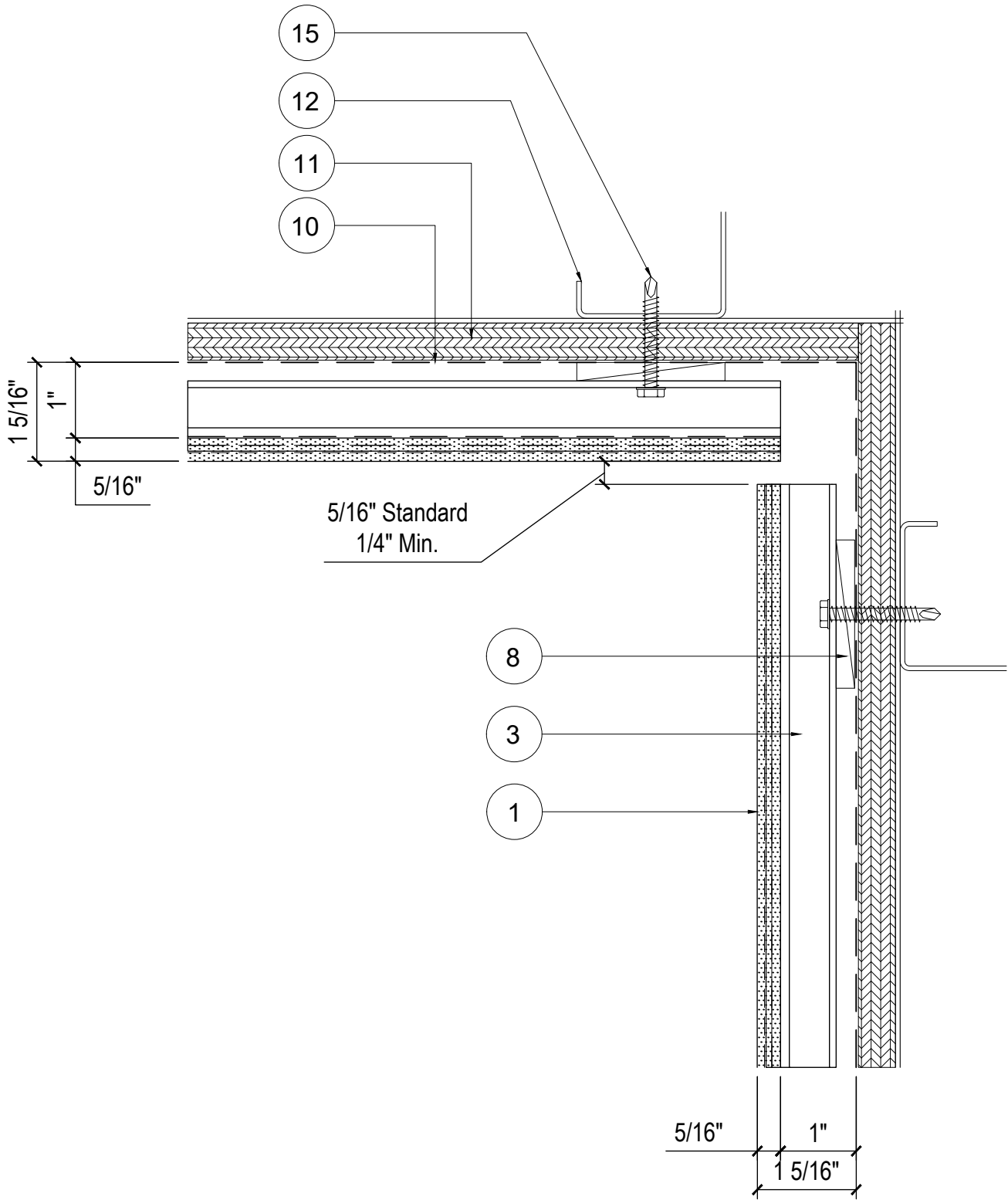
DETAIL NAME:

**VERTICAL OUTSIDE
CORNER DETAIL (G2)**

DWG. BY: ACE

CHK. BY: ACE

PG. NO: 10 OF 28



EASYMEG



STANDARD DETAIL CREATION

08/23/2023

REV.

ISSUANCE

DATE

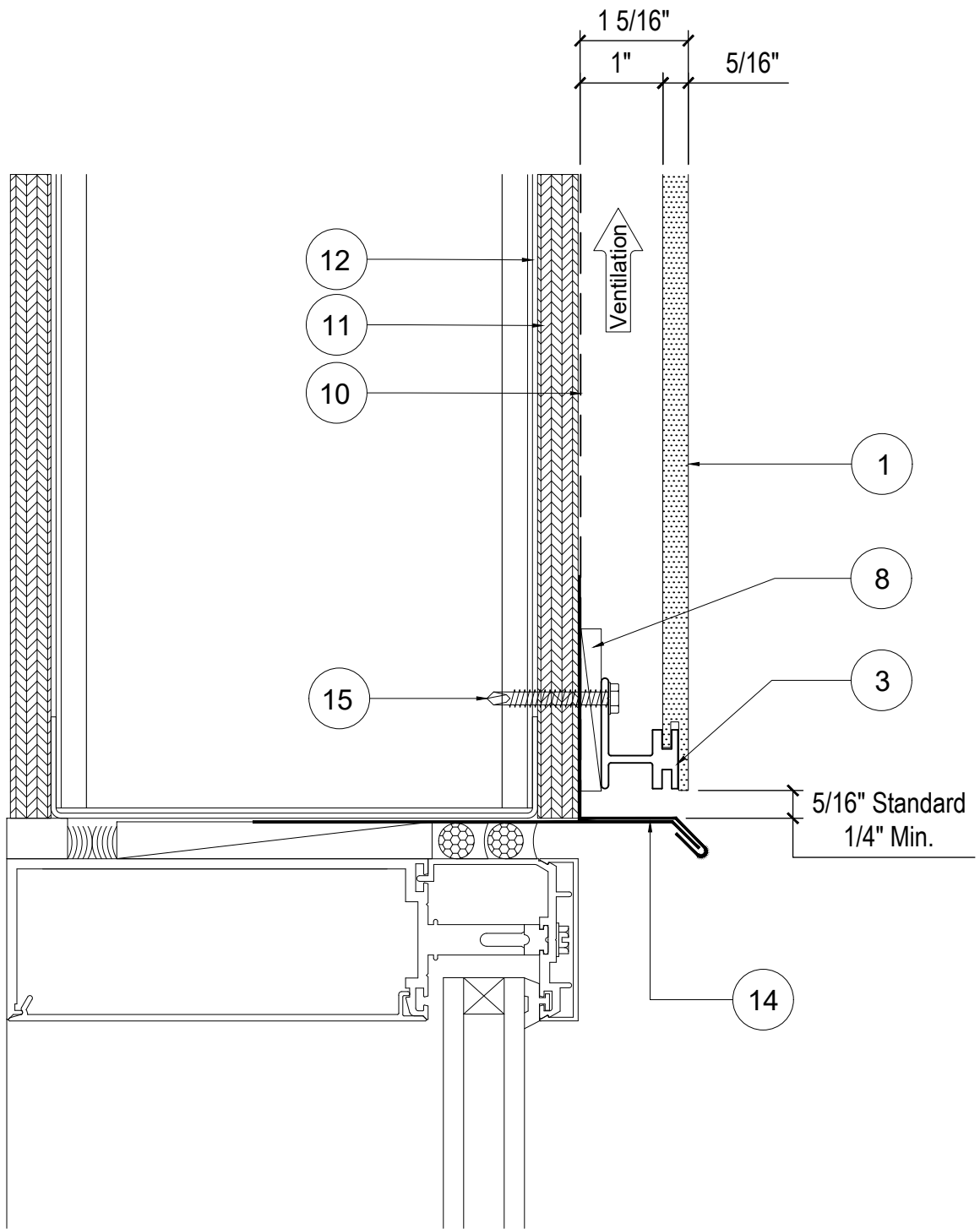
DETAIL NAME:

**VERTICAL INSIDE
CORNER DETAIL (H)**

DWG. BY: ACE

CHK. BY: ACE

PG. NO: 11 OF 28



EASYMEG



STANDARD DETAIL CREATION

08/23/2023

REV.

ISSUANCE

DATE

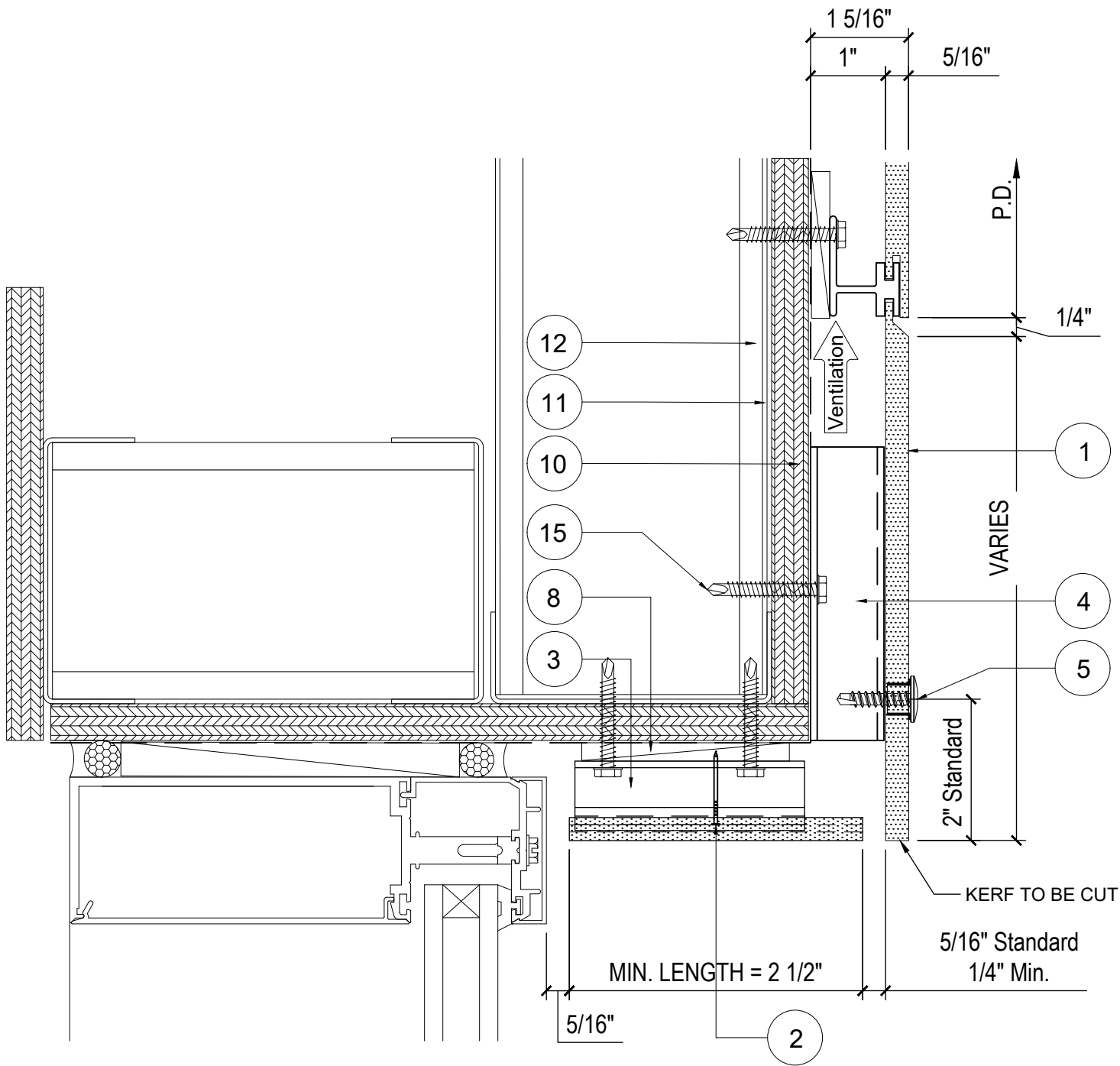
DETAIL NAME:

WINDOW HEAD
DETAIL (J1)

DWG. BY: ACE

CHK. BY: ACE

PG. NO: 12 OF 28



EASYMEG



STANDARD DETAIL CREATION

08/23/2023

REV.

ISSUANCE

DATE

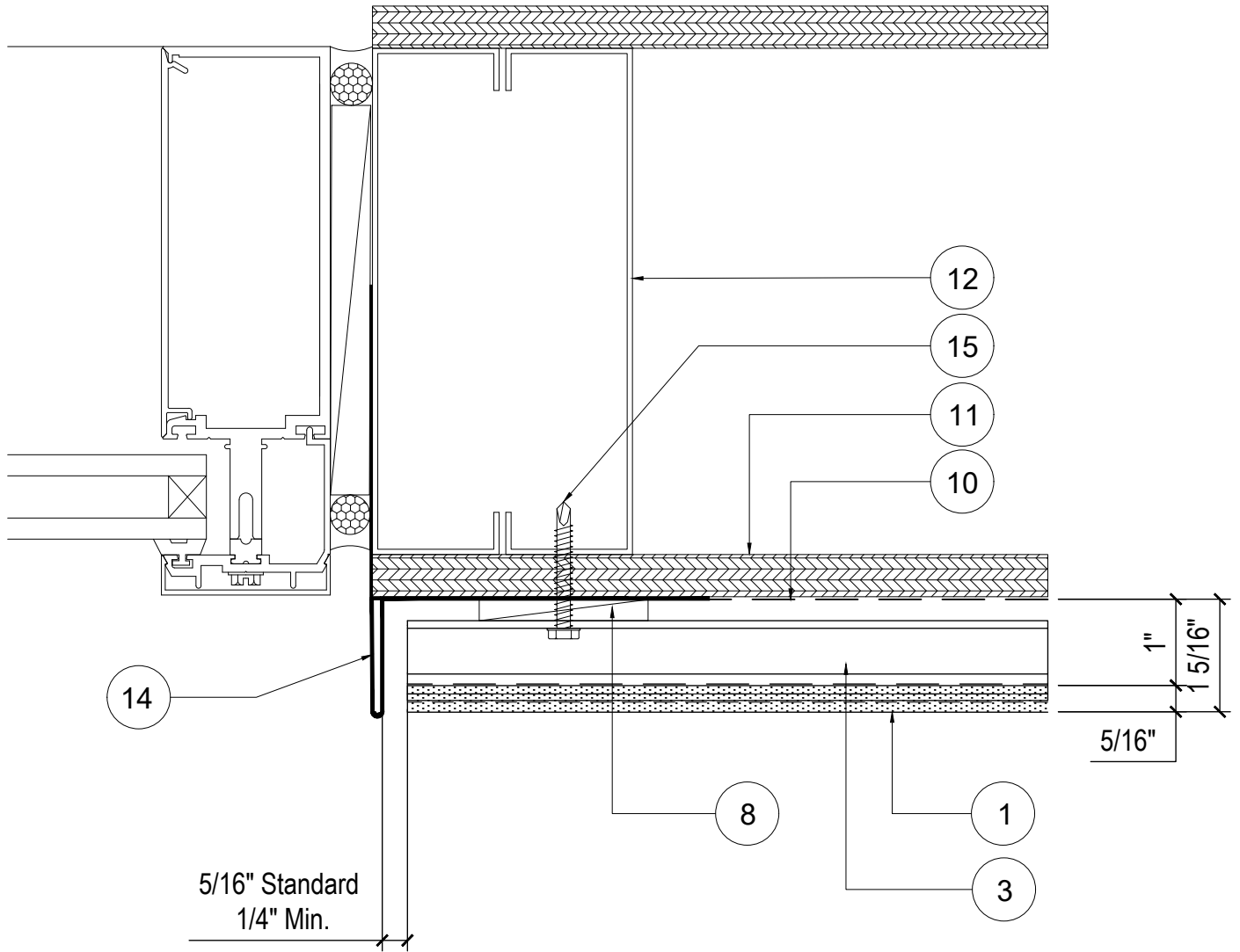
DETAIL NAME:

**WINDOW HEAD
DETAIL (J2)**

DWG. BY: ACE

CHK. BY: ACE

PG. NO: 13 OF 28

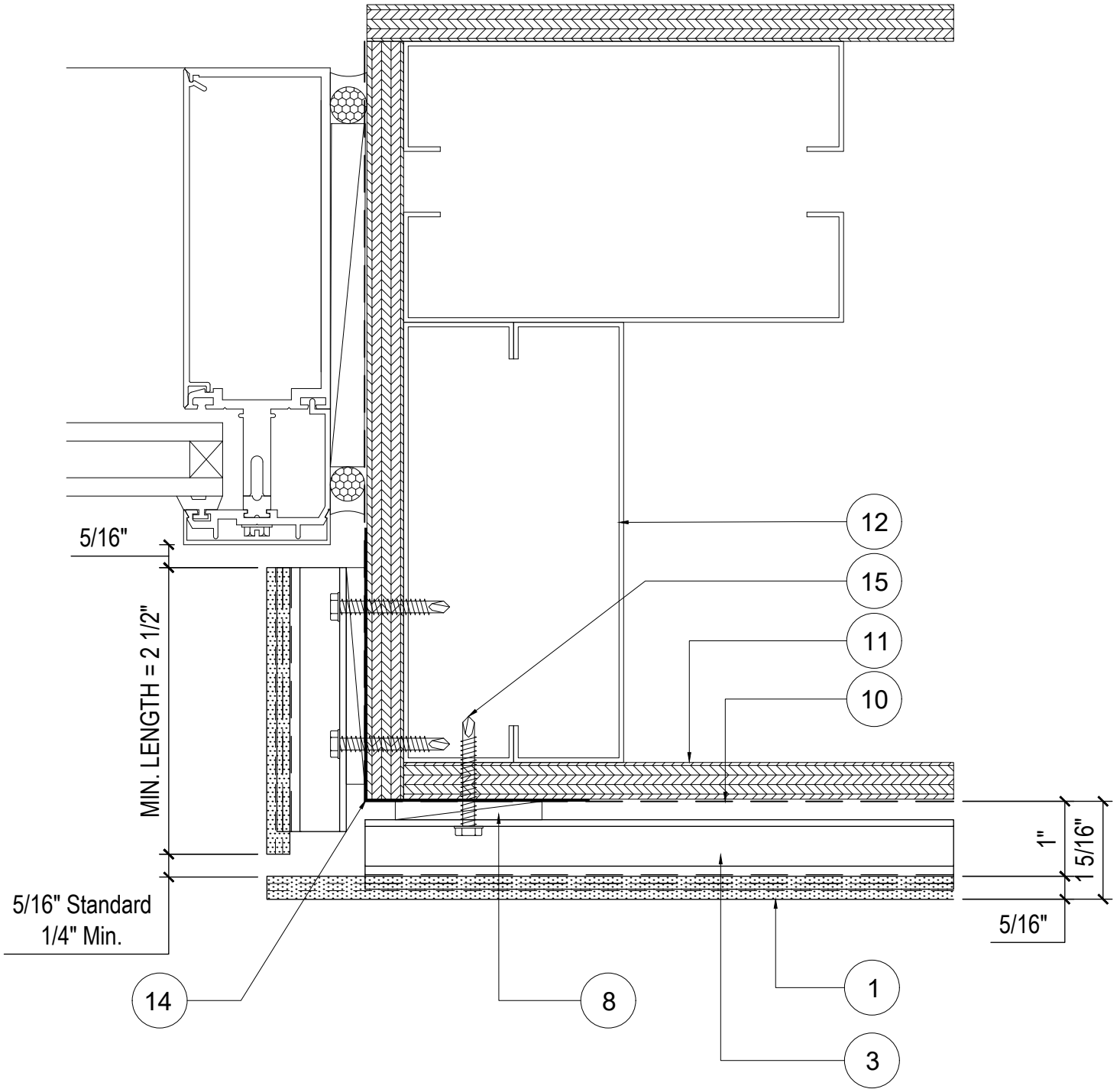


5/16" Standard
1/4" Min.

1"
5/16"
5/16"

EASYMEG				DETAIL NAME: WINDOW JAMB DETAIL (K1)		
	△	STANDARD DETAIL CREATION	08/23/2023			
	REV.	ISSUANCE	DATE	DWG. BY: ACE	CHK. BY: ACE	PG. NO: 14 OF 28

MIN LENGTH = 2 1/2" - 2" TO ALLOW FOR COVERAGE OF CLIP + 1/4" OVERAGE ON EACH SIDE
 PANEL LENGTH > 4" 2 CLIPS ARE REQUIRED



EASYMEG



STANDARD DETAIL CREATION

08/23/2023

REV.

ISSUANCE

DATE

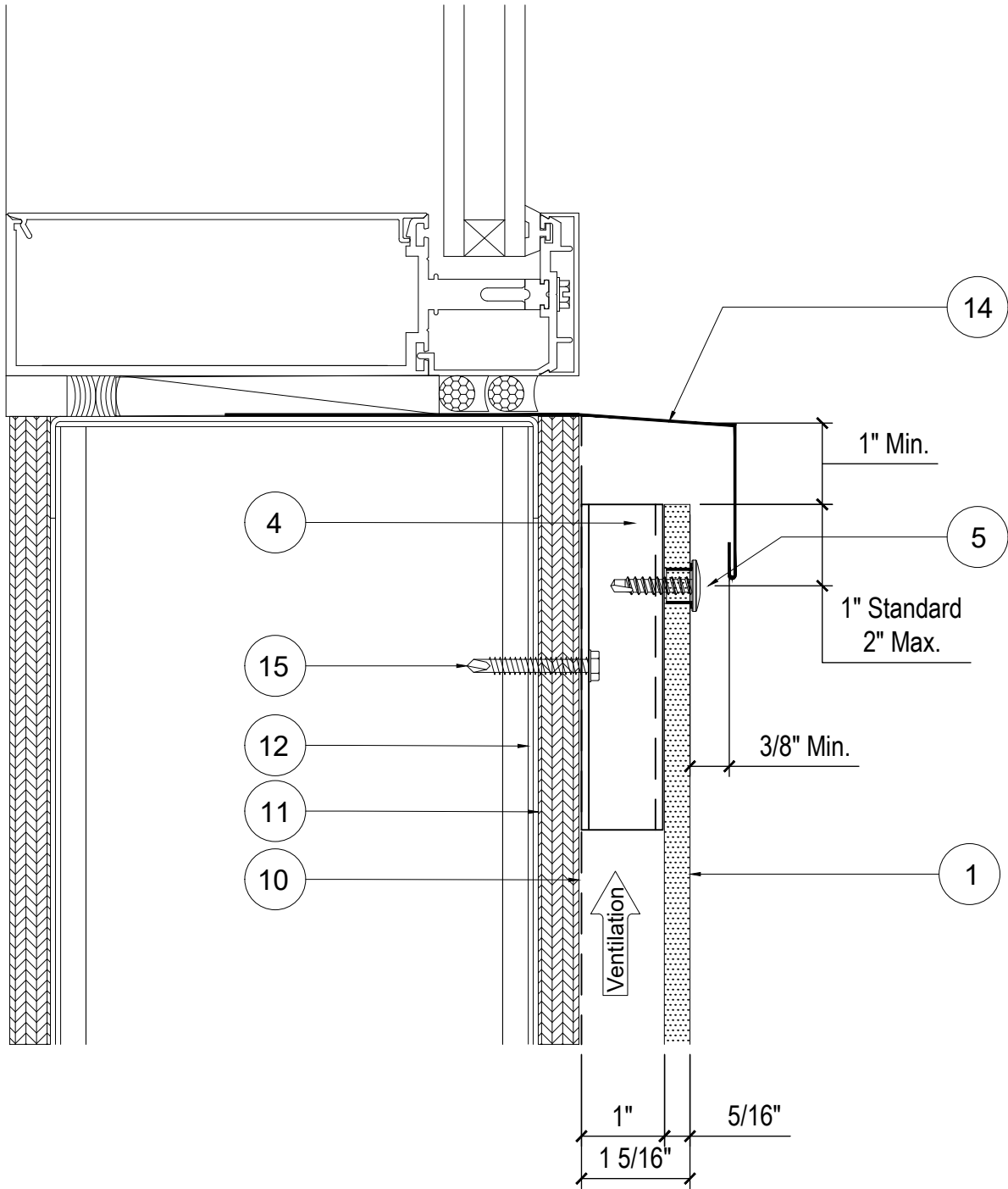
DETAIL NAME:

WINDOW JAMB
 DETAIL (K2)

DWG. BY: ACE

CHK. BY: ACE

PG. NO: 15 OF 28



EASYMEG



STANDARD DETAIL CREATION

08/23/2023

REV.

ISSUANCE

DATE

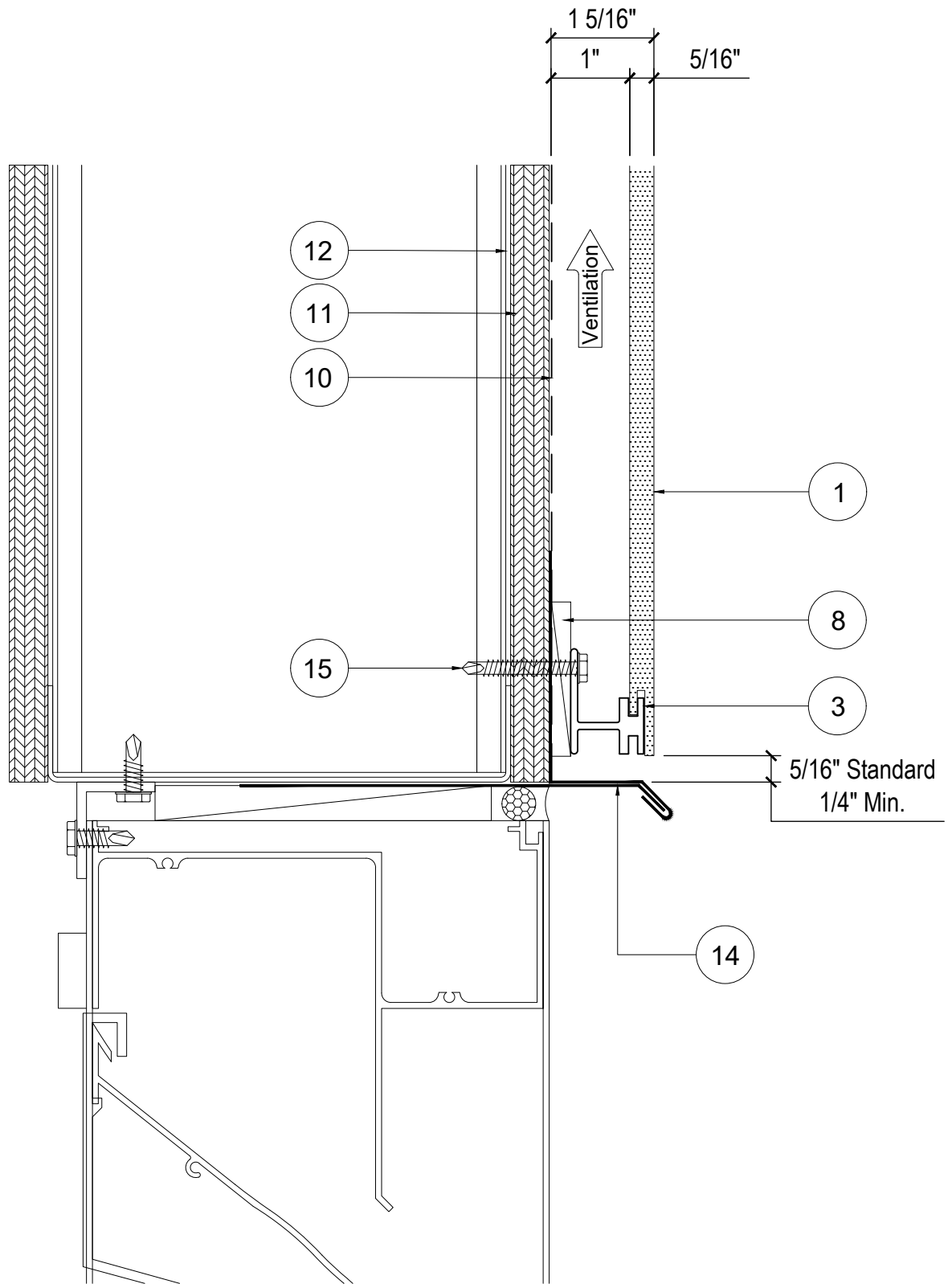
DETAIL NAME:

WINDOW SILL
DETAIL (L)

DWG. BY: ACE

CHK. BY: ACE

PG. NO: 16 OF 28



EASYMEG



STANDARD DETAIL CREATION

08/23/2023

REV.

ISSUANCE

DATE

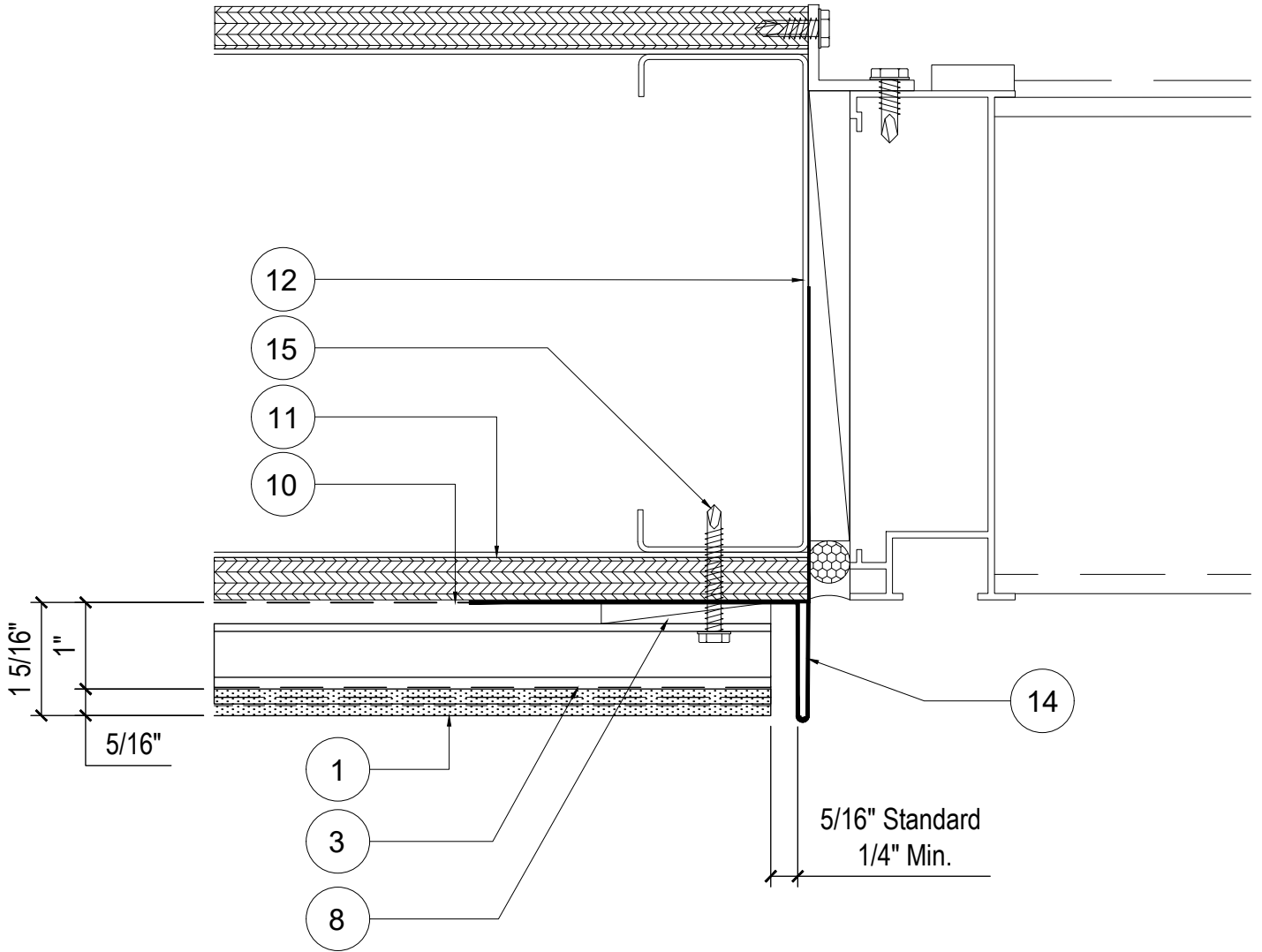
DETAIL NAME:

**LOUVER HEAD
DETAIL (M)**

DWG. BY: ACE

CHK. BY: ACE

PG. NO: 17 OF 28



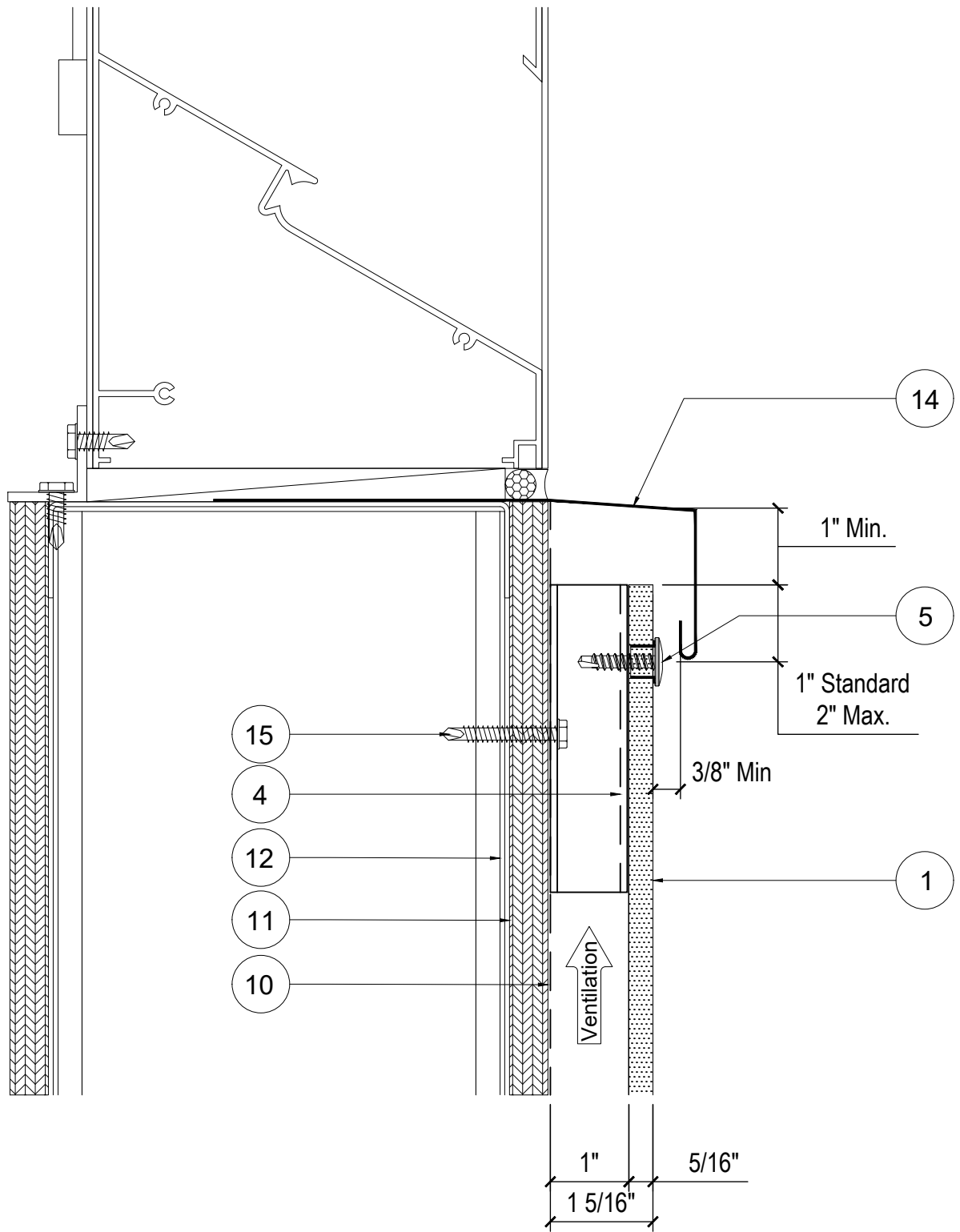
EASYMEG



STANDARD DETAIL CREATION 08/23/2023

DETAIL NAME:
**LOUVER JAMB
 DETAIL (N)**

REV.	ISSUANCE	DATE	DWG. BY: ACE	CHK. BY: ACE	PG. NO: 18 OF 28
------	----------	------	--------------	--------------	------------------



EASYMEG



STANDARD DETAIL CREATION

08/23/2023

REV.

ISSUANCE

DATE

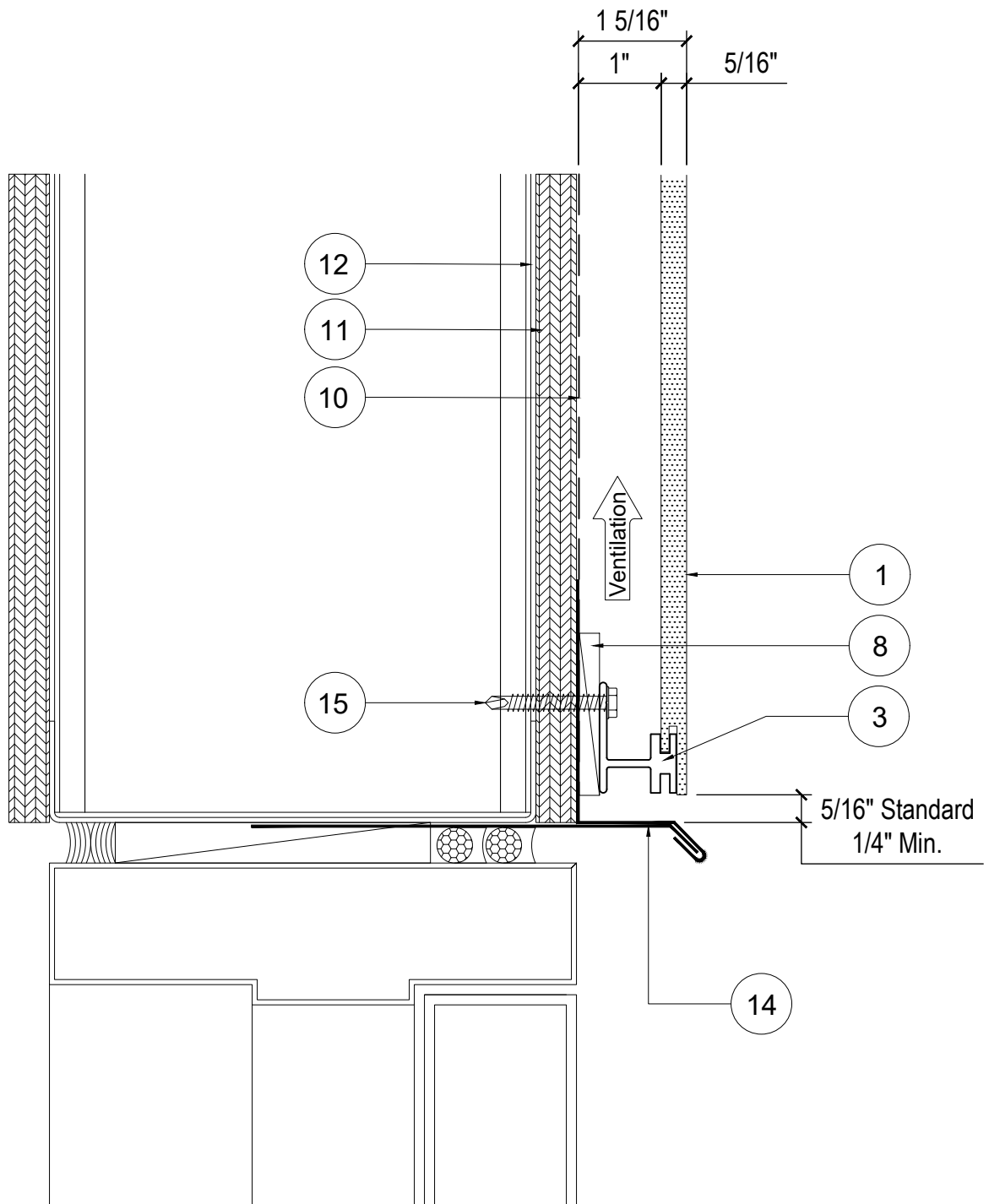
DETAIL NAME:

**LOUVER SILL
DETAIL (P)**

DWG. BY: ACE

CHK. BY: ACE

PG. NO: 19 OF 28



EASYMEG



STANDARD DETAIL CREATION

08/23/2023

REV.

ISSUANCE

DATE

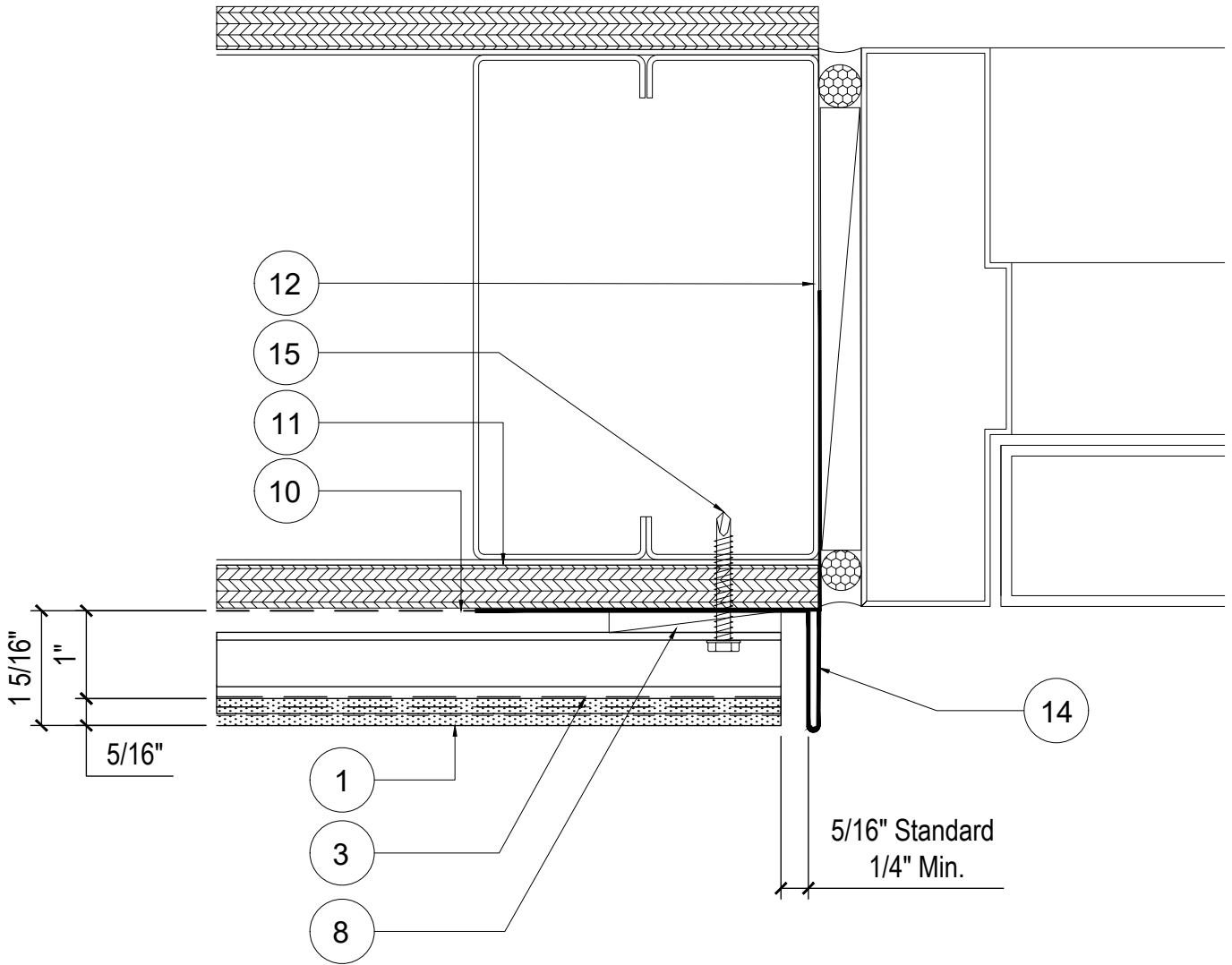
DETAIL NAME:

H.M. DOOR HEAD
DETAIL (Q)

DWG. BY: ACE

CHK. BY: ACE

PG. NO: 20 OF 28



EASYMEG



STANDARD DETAIL CREATION

08/23/2023

REV.

ISSUANCE

DATE

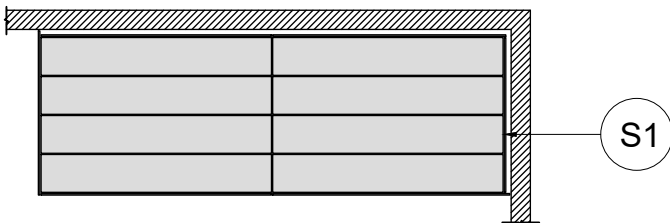
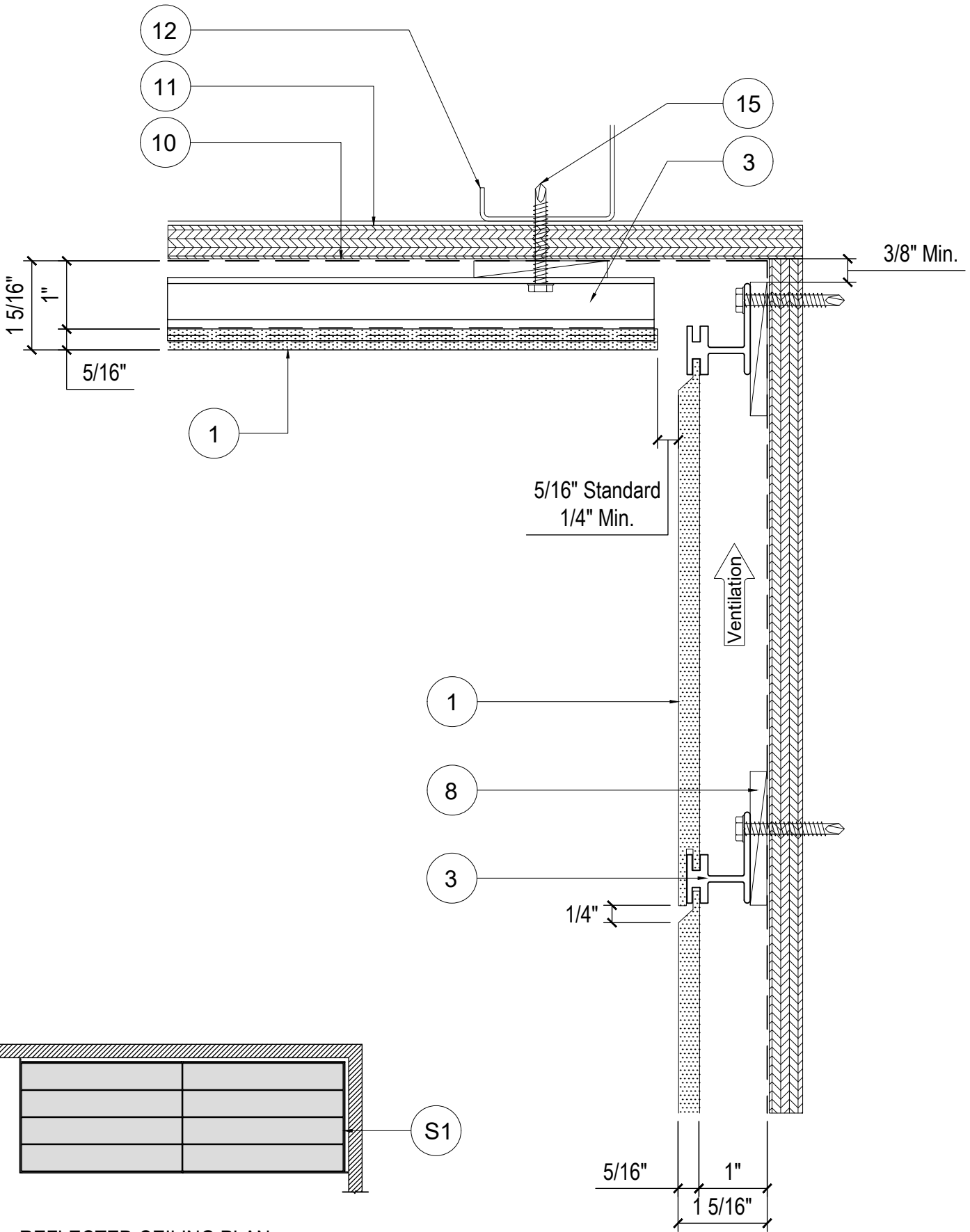
DETAIL NAME:

**H.M. DOOR JAMB
DETAIL (R)**

DWG. BY: ACE

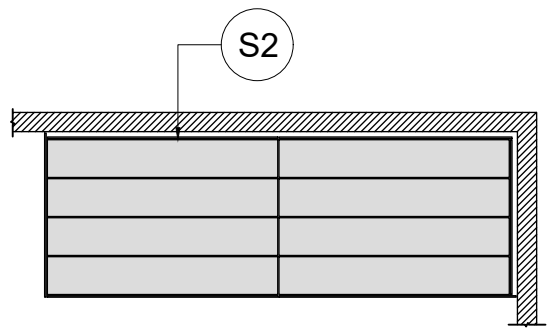
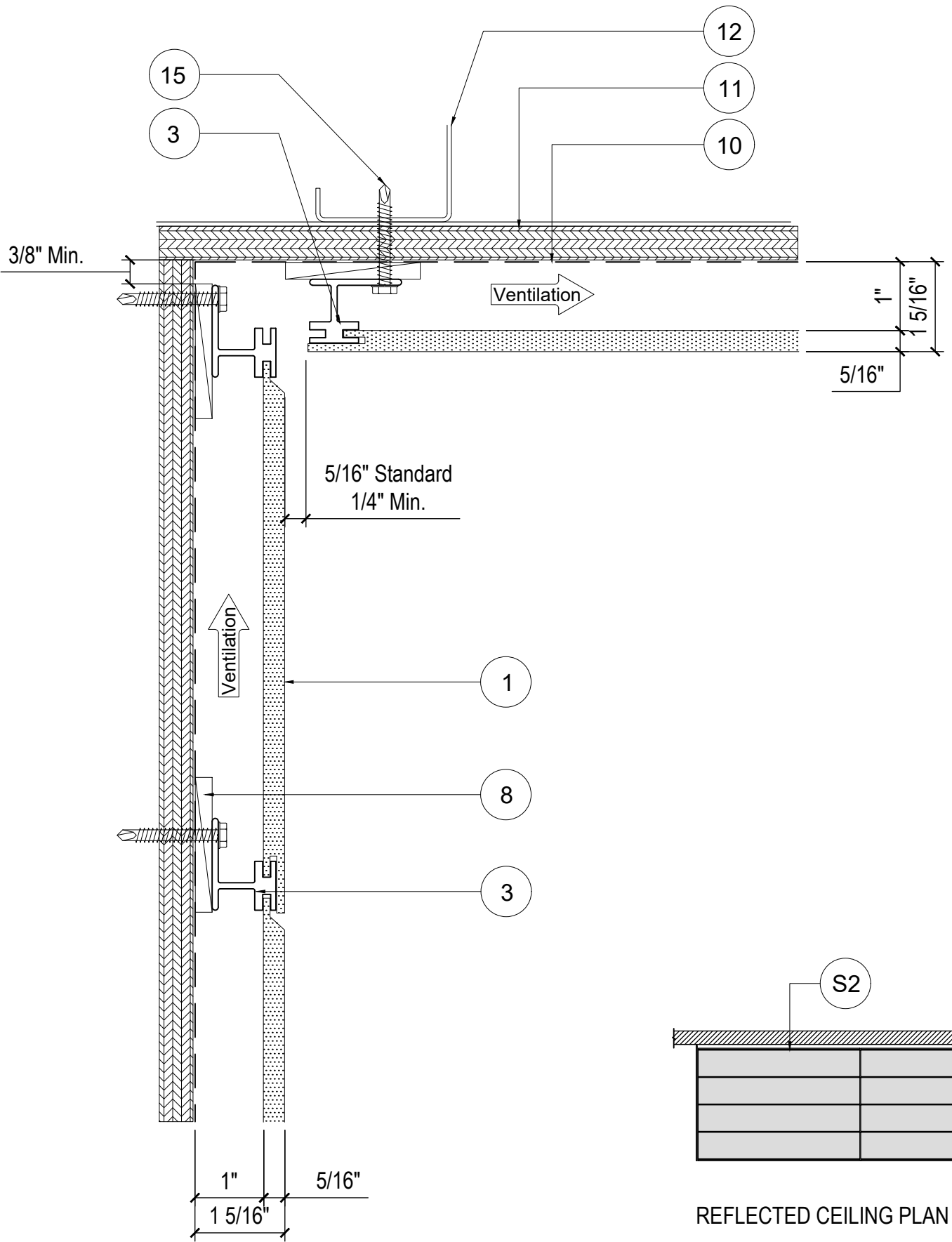
CHK. BY: ACE

PG. NO: 21 OF 28



REFLECTED CEILING PLAN

EASYMEG			DETAIL NAME: PANEL SOFFIT TRANSITION DETAIL (S1)
	△	STANDARD DETAIL CREATION	08/23/2023
	REV.	ISSUANCE	DATE
			DWG. BY: ACE CHK. BY: ACE PG. NO: 22 OF 28



REFLECTED CEILING PLAN

EASMEG



STANDARD DETAIL CREATION

08/23/2023

REV.

ISSUANCE

DATE

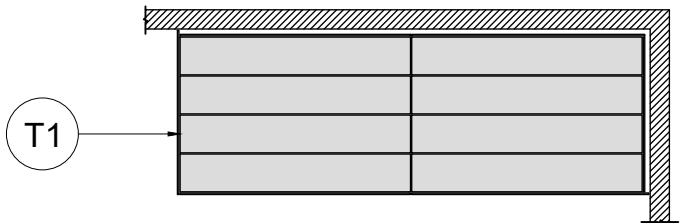
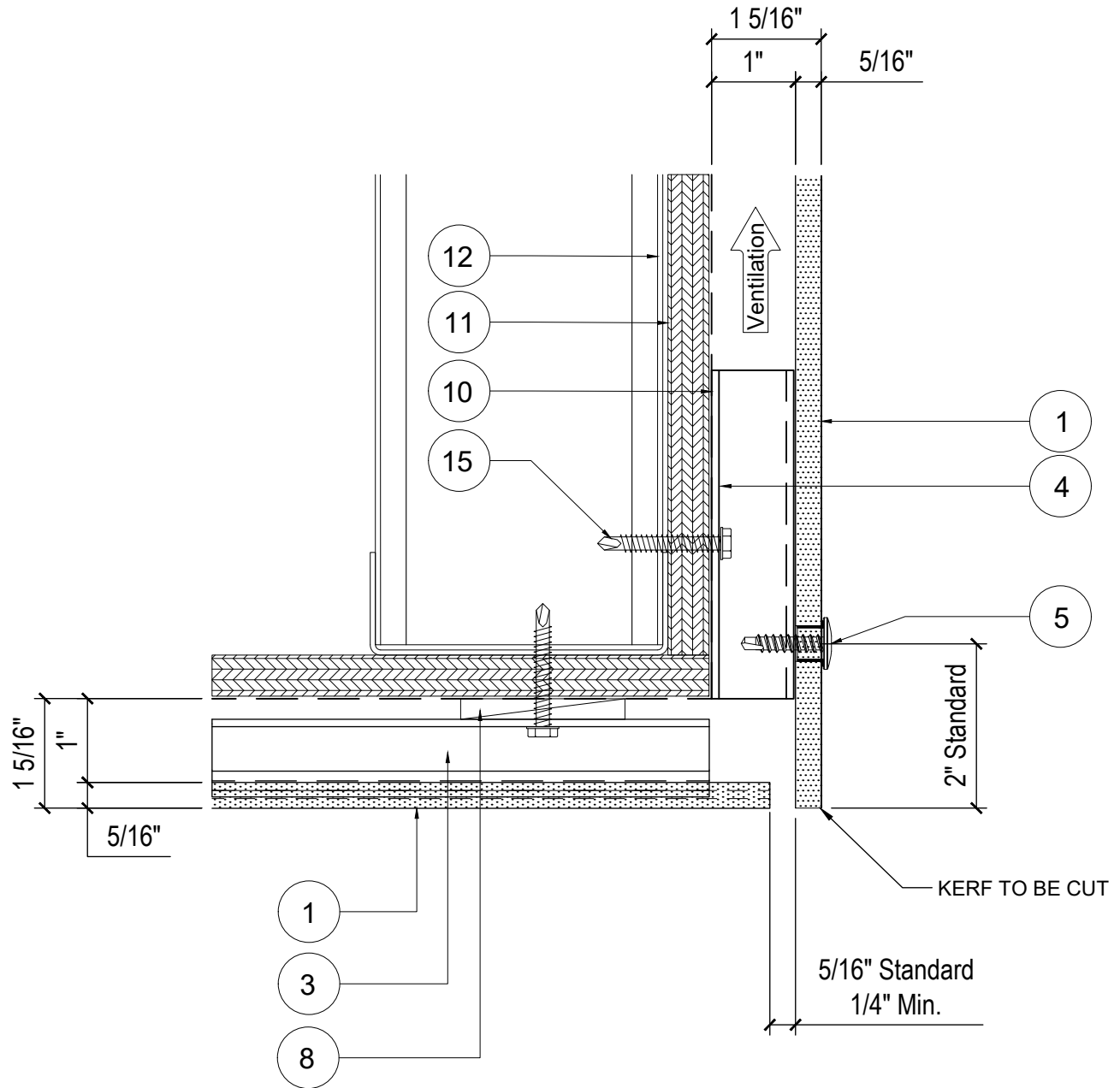
DETAIL NAME:

**PANEL SOFFIT TRANSITION
DETAIL (S2)**

DWG. BY: ACE

CHK. BY: ACE

PG. NO: 23 OF 28



REFLECTED CEILING PLAN

EASYMEG



STANDARD DETAIL CREATION

08/23/2023

REV.

ISSUANCE

DATE

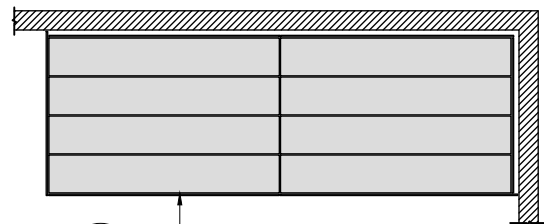
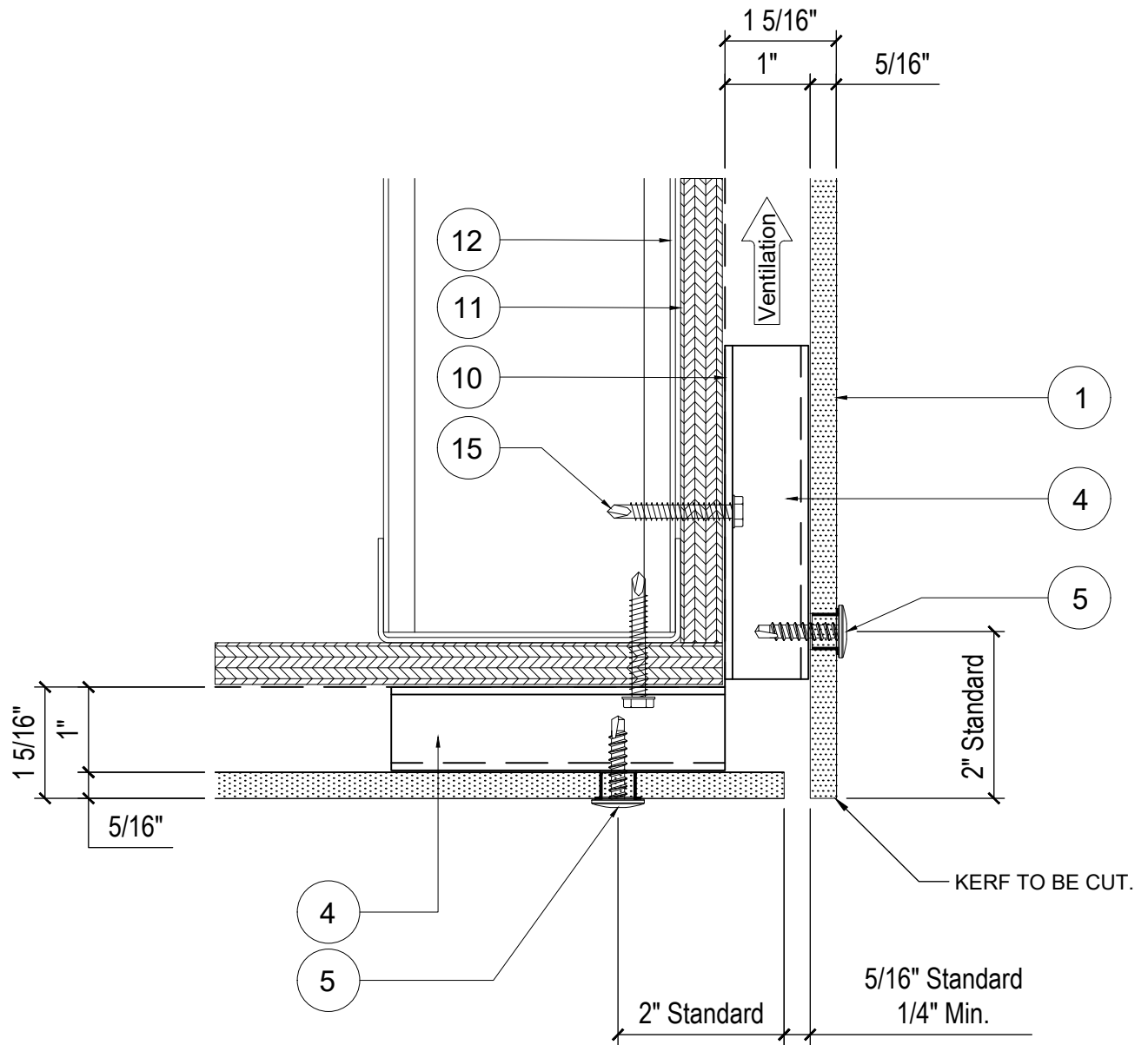
DETAIL NAME:

PANEL SOFFIT TRANSITION
DETAIL (T1)

DWG. BY: ACE

CHK. BY: ACE

PG. NO: 24 OF 28



REFLECTED CEILING PLAN

EASYMEG



STANDARD DETAIL CREATION

08/23/2023

REV.

ISSUANCE

DATE

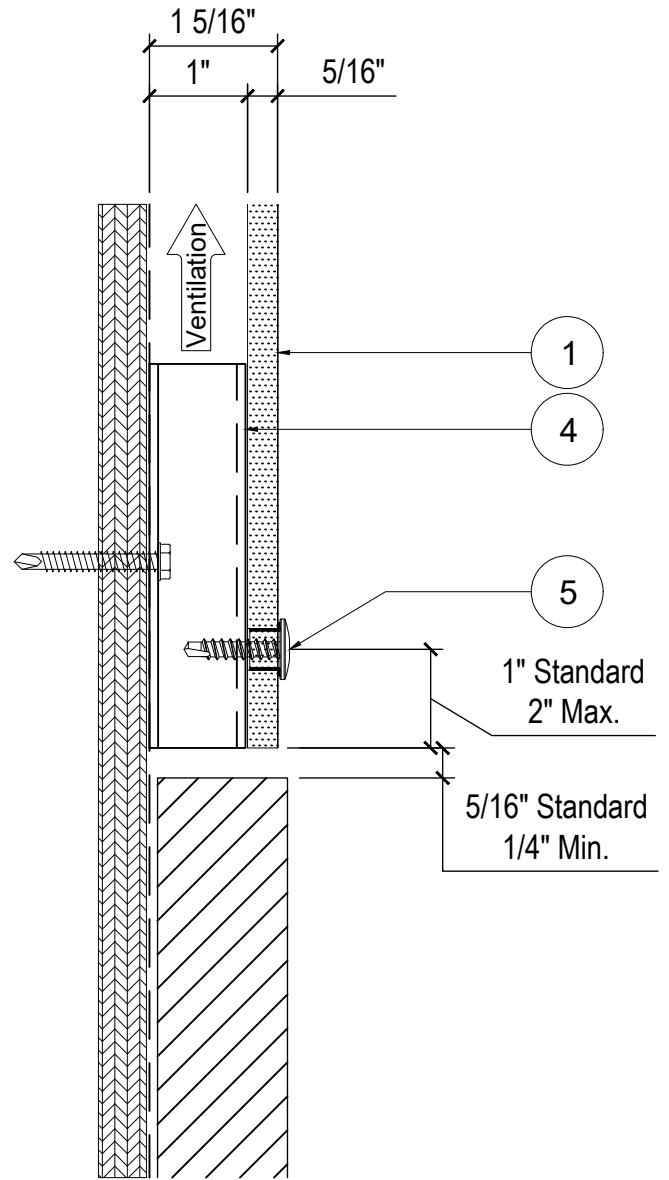
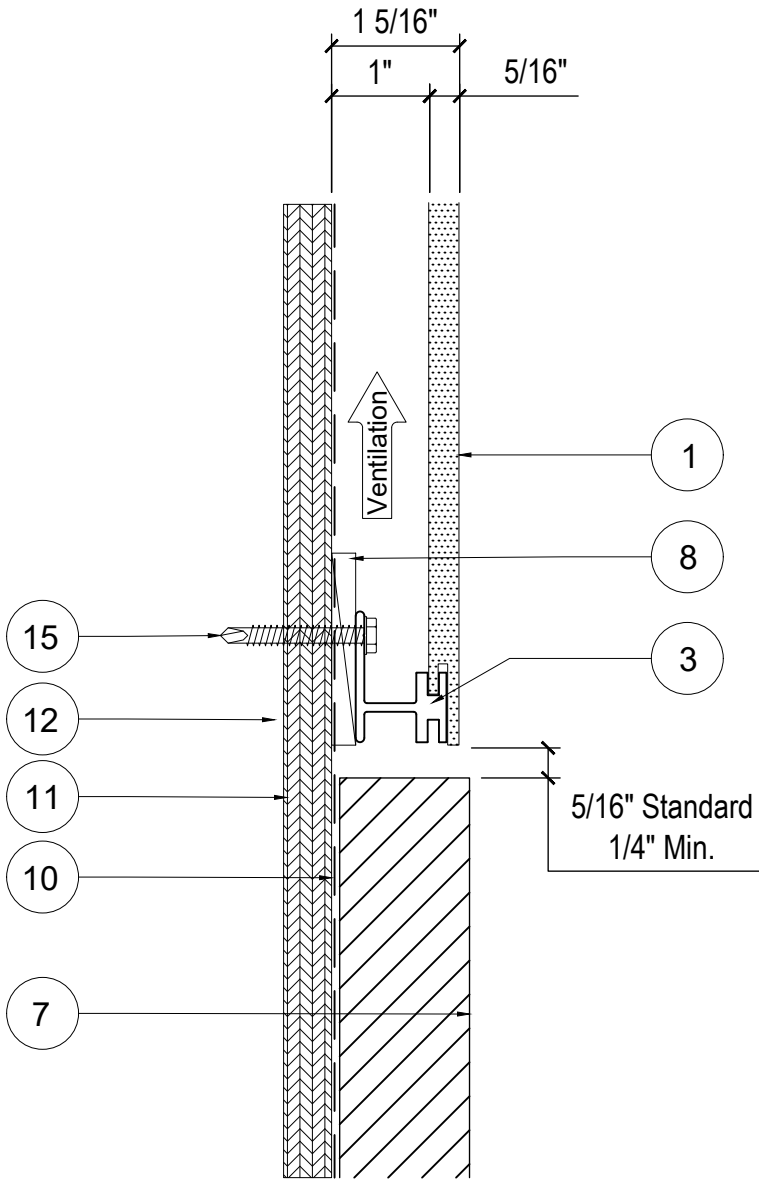
DETAIL NAME:

**PANEL SOFFIT TRANSITION
DETAIL (T2)**

DWG. BY: ACE

CHK. BY: ACE

PG. NO: 25 OF 28



EASYMEG



STANDARD DETAIL CREATION

08/23/2023

REV.

ISSUANCE

DATE

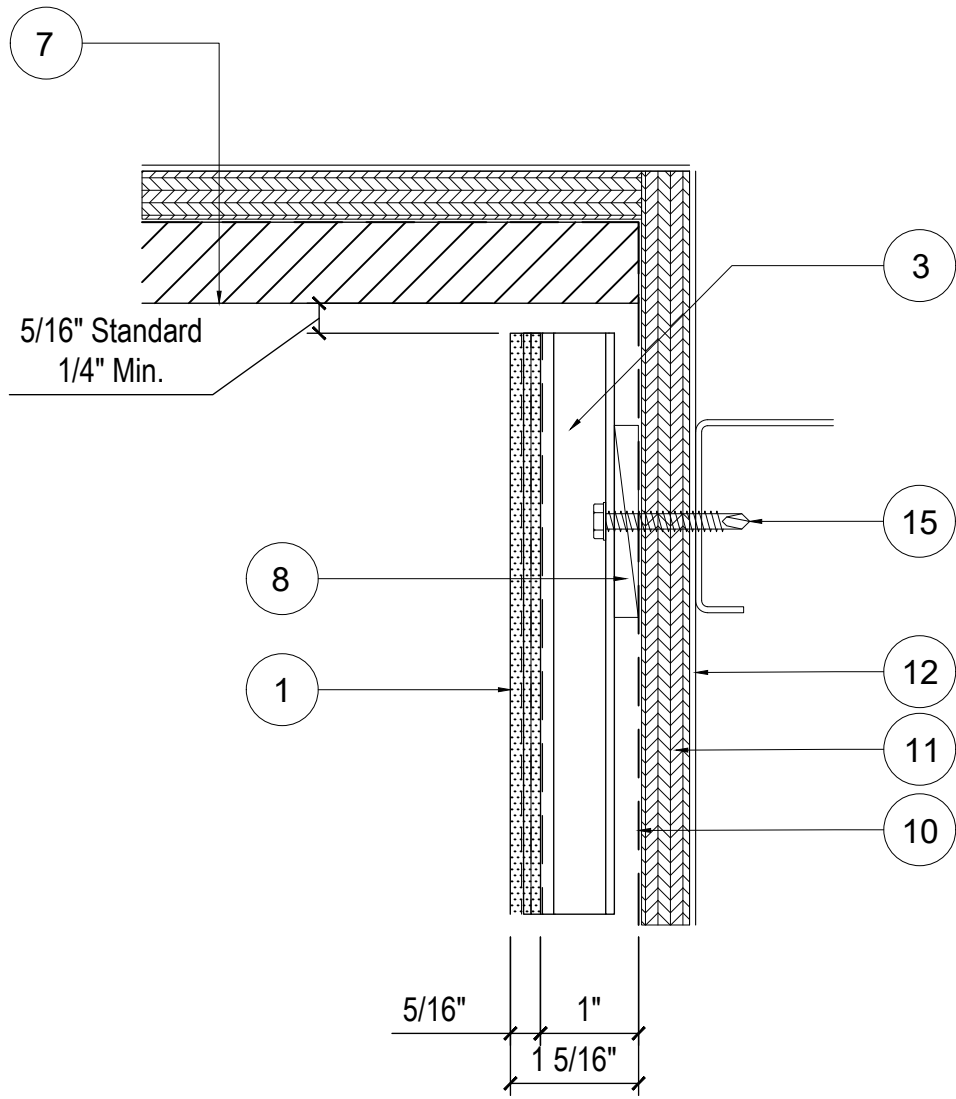
DETAIL NAME:

**HORIZONTAL TRANSITION
DETAIL @ ARCH. PANEL (U)**

DWG. BY: ACE

CHK. BY: ACE

PG. NO: 26 OF 28



EASYMEG



STANDARD DETAIL CREATION

08/23/2023

REV.

ISSUANCE

DATE

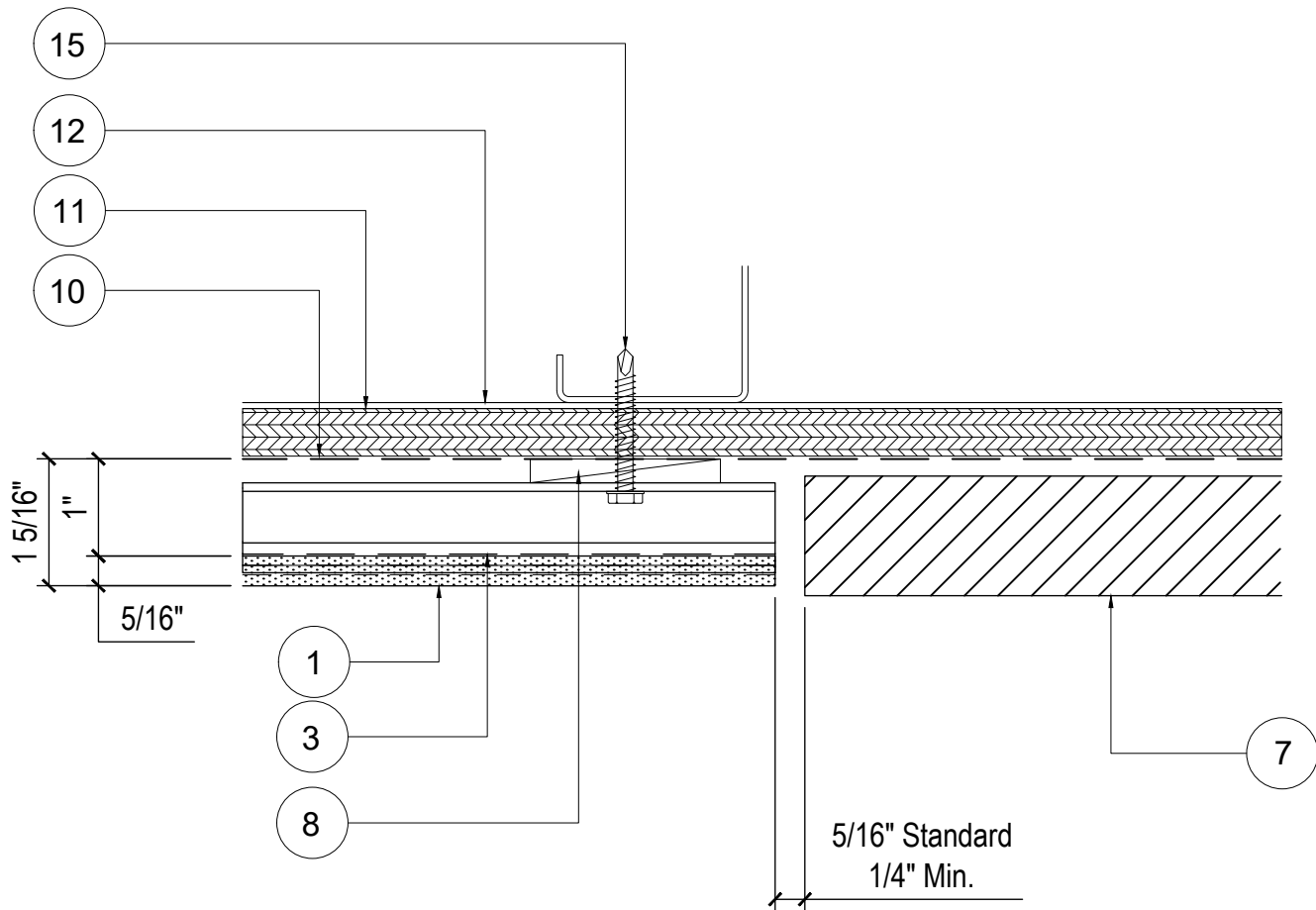
DETAIL NAME:

**VERTICAL TRANSITION
DETAIL @ ARCH. PANEL (V)**

DWG. BY: ACE

CHK. BY: ACE

PG. NO: 27 OF 28



EASYMEG



STANDARD DETAIL CREATION

08/23/2023

REV.

ISSUANCE

DATE

DETAIL NAME:

**VERTICAL TRANSITION
DETAIL @ ARCH. PANEL (W)**

DWG. BY: ACE

CHK. BY: ACE

PG. NO: 28 OF 28