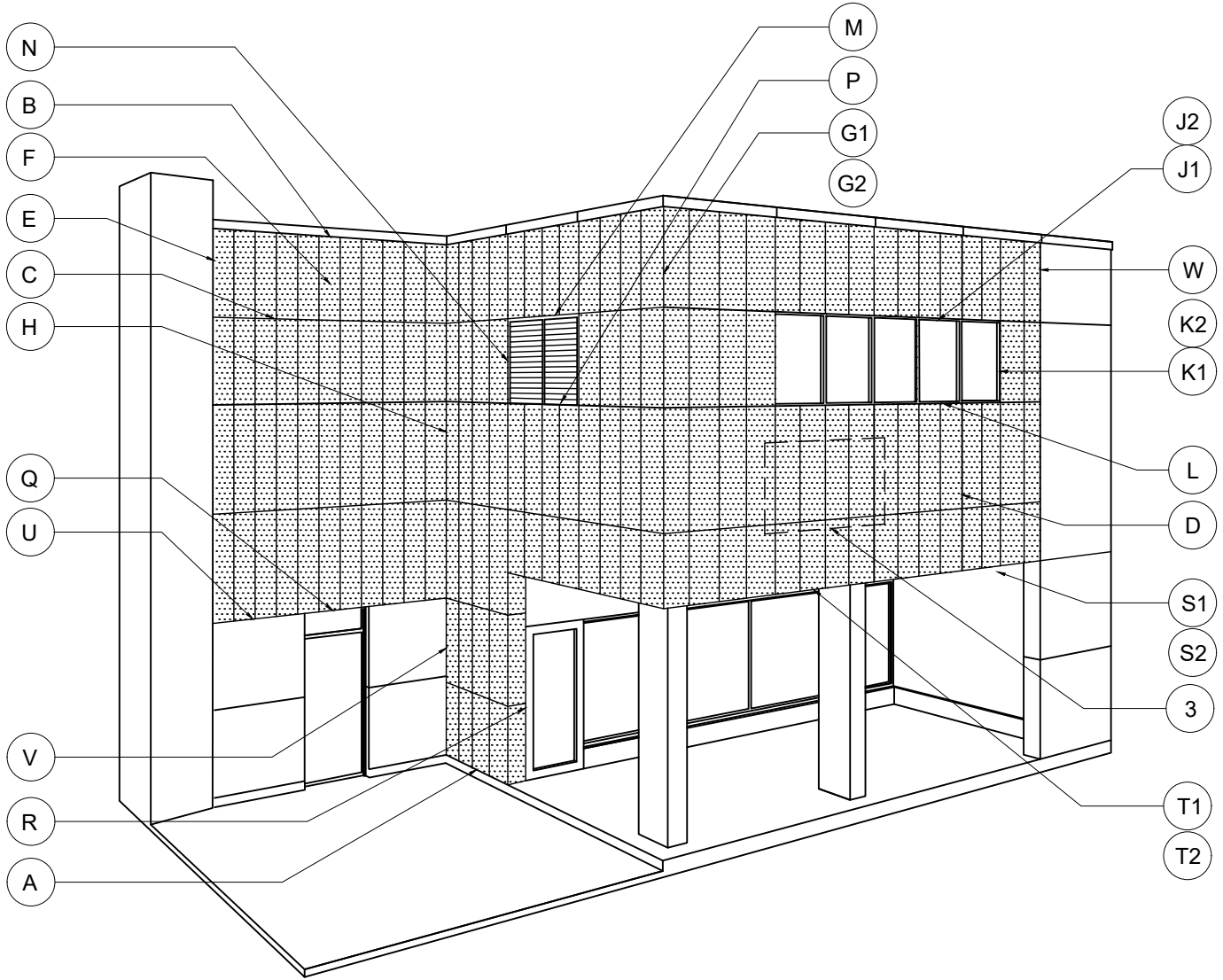


**ABET EASY MEG - PLANK SYSTEM
VERTICAL APPLICATION**



EASYMEG



STANDARD DETAIL CREATION

09/08/2023

REV.

ISSUANCE

DATE

DETAIL NAME:

DWG. BY: ACE

CHK. BY: ACE

PG. NO: OF 28

LEGEND DETAILS

- ① 5/16" [8mm] THK., ABET EASY MEG PLANK
- | | |
|-------------------------------------|--------------------------------|
| <u>Standard Sizes:</u> | <u>Thickness Available:</u> |
| * 8.189" x 120"
[208mm x 3050mm] | * 5/16" [8mm]
* 3/8" [10mm] |
- ② COUNTERSUNK FASTENERS:
The clip can be screwed on any type of substrate:
- Aluminum
 - Steel
 - Wood
- The connection screw type will change depending on the substrate material
- WOOD: #8-15 x 1" SHARP POINT SCREW
- ALUMINUM: #8-18 x 1" SELF-DRILLING SCREW
- ③ EZCJC SUPPORT CLIP (6005-T5 ALUM. CLIP)
- ④ VXZB SUBGIRT (6005-T5 ALUM.)
- ⑤ SFS SX3-D16, COLOR MATCHED FASTENER
- ⑥ XB02 - PERFORATED SILL FLASHING
- ⑦ WALL STRUCTURE/MATERIAL (BY OTHERS)
- ⑧ SHIM AS REQUIRED (BY OTHERS)
- ⑨ INSULATION (BY OTHERS)
- ⑩ AIR/VAPOUR BARRIER (BY OTHERS)
- ⑪ SUBSTRATE (BY OTHERS)
- ⑫ STRUCTURAL FRAMING (BY OTHERS)
- ⑬ CONCRETE (BY OTHERS)
- ⑭ METAL TRIMS/FLASHING/CAP (BY OTHERS)
- ⑮ FASTENER (BY OTHERS)
- ⑯ WOOD FURRING (BY OTHERS)
- ⑰ EPDM GASKET (BY OTHERS)
- ⑱ SUPPORT CLIP

TABLE OF CONTENTS

<u>Page No:</u>	<u>Details:</u>
00	DETAIL LOCATOR
01	TABLE OF CONTENTS
02	PARTIAL PANEL ELEVATION (0)
03	BOTTOM TERMINATION (A)
04	TOP TERMINATION DETAIL (B)
05	HORIZONTAL JOINT DETAIL (C)
06	VERTICAL JOINT DETAIL (D)
07	VERTICAL TERMINATION DETAIL (E)
08	PLAN MIDDLE SUPPORT DETAIL (F)
09	OUTSIDE CORNER DETAIL (Option 1) (G1)
10	OUTSIDE CORNER DETAIL (Option 2) (G2)
11	VERTICAL INSIDE CORNER DETAIL (H)
12	WINDOW HEAD DETAIL (Option 1) (J1)
13	WINDOW HEAD DETAIL (Option 2) (J2)
14	WINDOW JAMB DETAIL (Option 1) (K1)
15	WINDOW JAMB DETAIL (Option 2) (K2)
16	WINDOW SILL DETAIL (L)
17	LOUVER HEAD DETAIL (M)
18	LOUVER JAMB DETAIL (N)
19	LOUVER SILL DETAIL (P)
20	H.M. DOOR HEAD DETAIL (Q)
21	H.M. DOOR JAMB DETAIL (R)
22	PANEL/SOFFIT TRANSITION DETAIL (1) (S1)
23	PANEL/SOFFIT TRANSITION DETAIL (2) (S2)
24	PANEL/FASCIA TRANSITION DETAIL (1) (T1)
25	PANEL/FASCIA TRANSITION DETAIL (2) (T2)
26	VERTICAL TRANSITION DETAIL (U)
27	VERTICAL TRANSITION DETAIL (V)
28	HORIZONTAL TRANSITION DETAIL (W)

EASYMEG



STANDARD DETAIL CREATION

09/08/2023

REV.

ISSUANCE

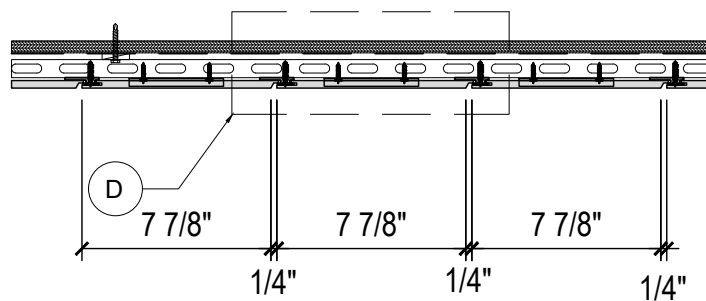
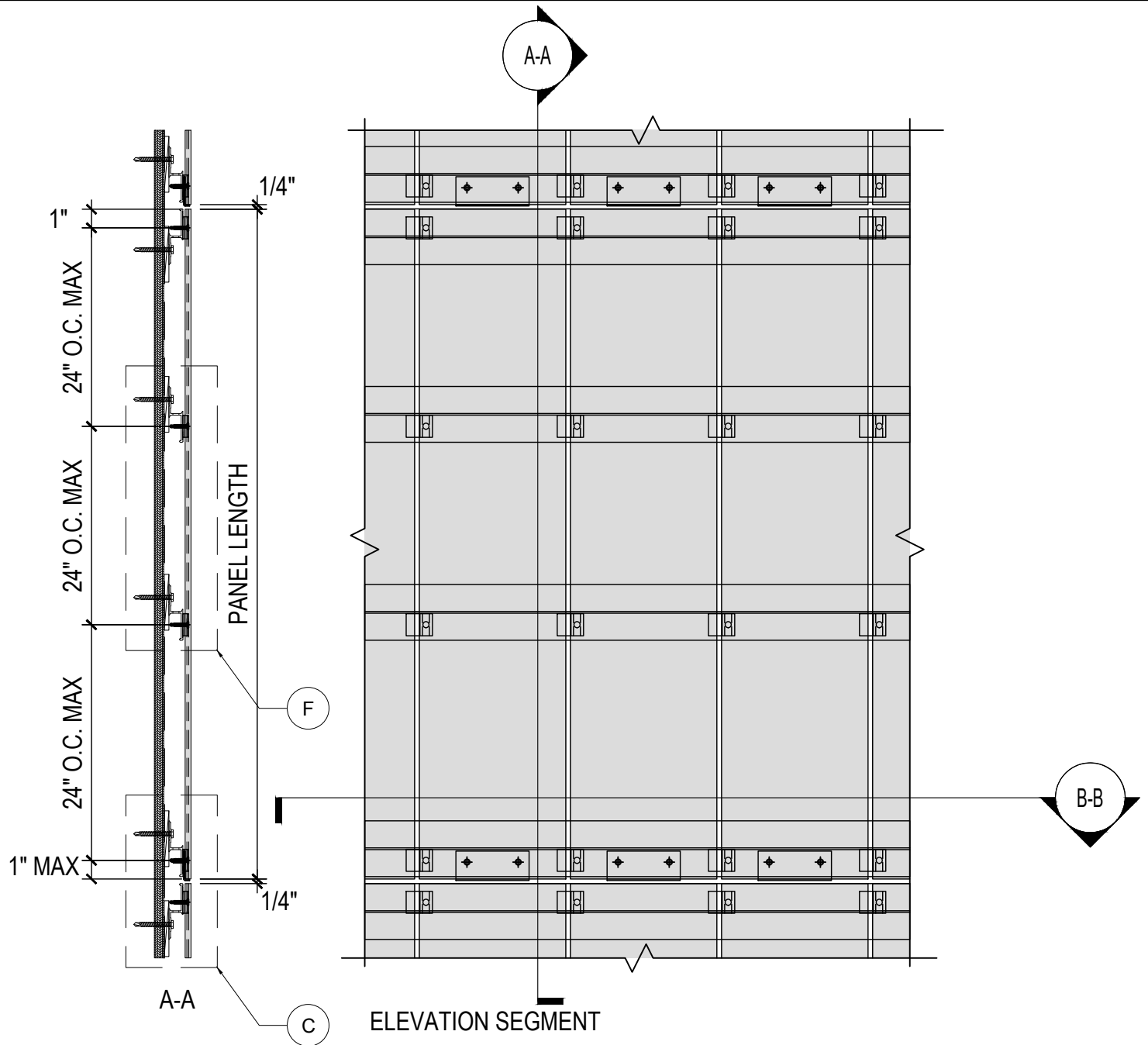
DATE

DETAIL NAME:

DWG. BY: ACE

CHK. BY: ACE

PG. NO: 1 OF 28



B-B

EASYMEG



STANDARD DETAIL CREATION

09/08/2023

REV.

ISSUANCE

DATE

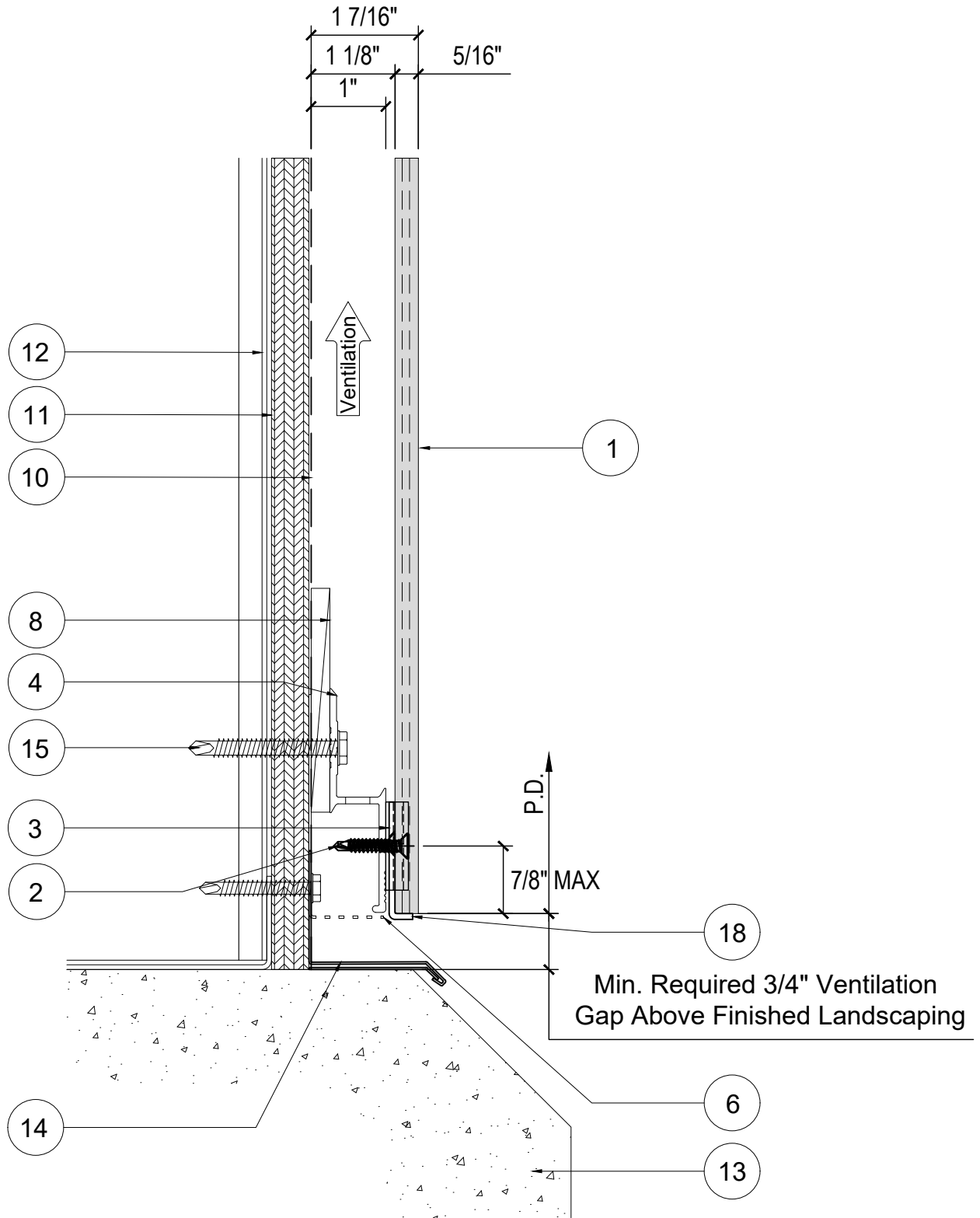
DETAIL NAME:

**ELEVATION SEGMENT
VERTICAL APPLICATION**

DWG. BY: ACE

CHK. BY: ACE

PG. NO: 3 OF 28



EASYMEG



STANDARD DETAIL CREATION

09/08/2023

REV.

ISSUANCE

DATE

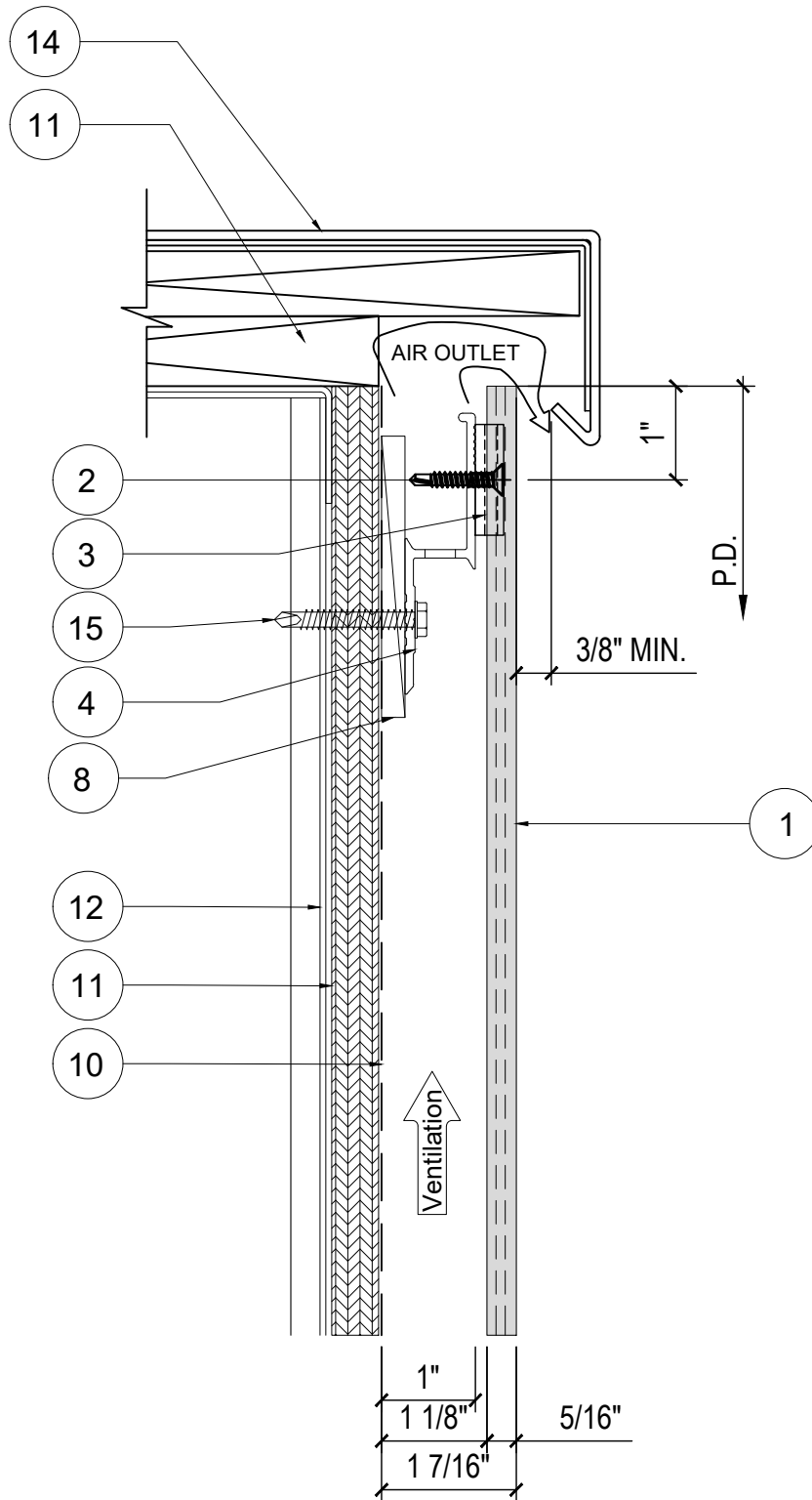
DETAIL NAME:

**BOTTOM TERMINATION
DETAIL (A)**

DWG. BY: ACE

CHK. BY: ACE

PG. NO: 3 OF 28



EASYMEG



STANDARD DETAIL CREATION

09/08/2023

REV.

ISSUANCE

DATE

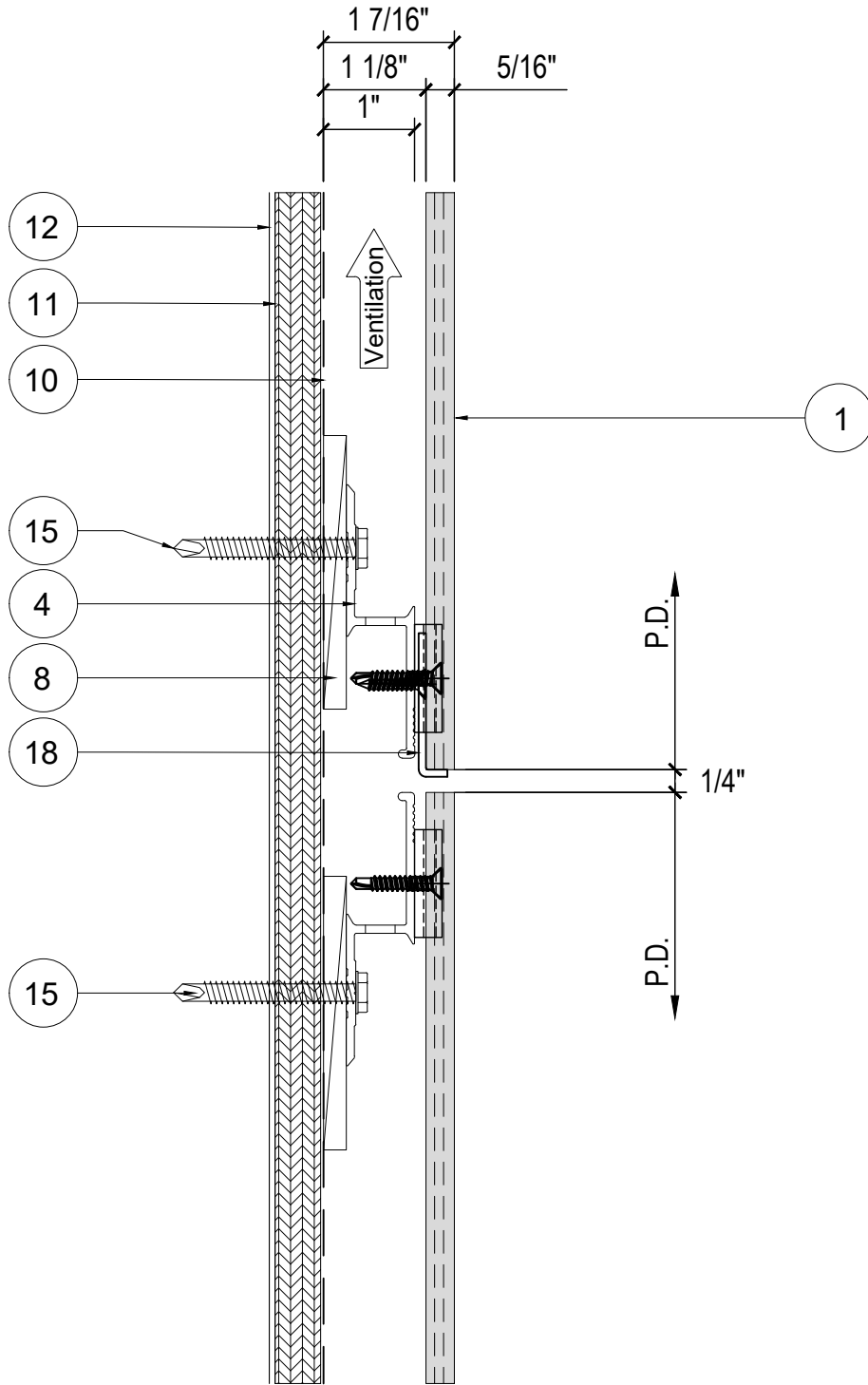
DETAIL NAME:

**TOP TERMINATION
DETAIL (B)**

DWG. BY: ACE

CHK. BY: ACE

PG. NO: 4 OF 28



EASYMEG



STANDARD DETAIL CREATION

09/08/2023

REV.

ISSUANCE

DATE

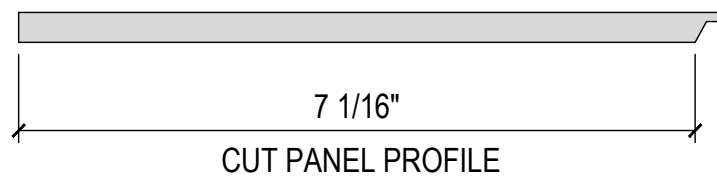
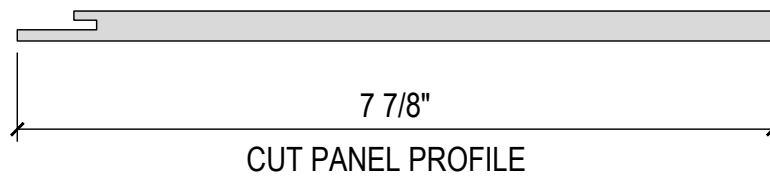
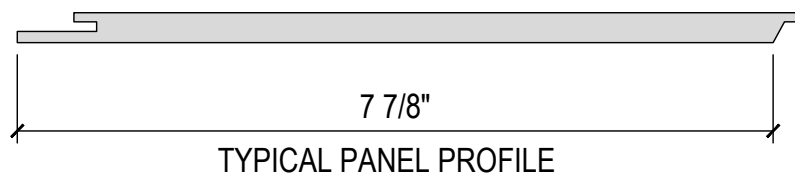
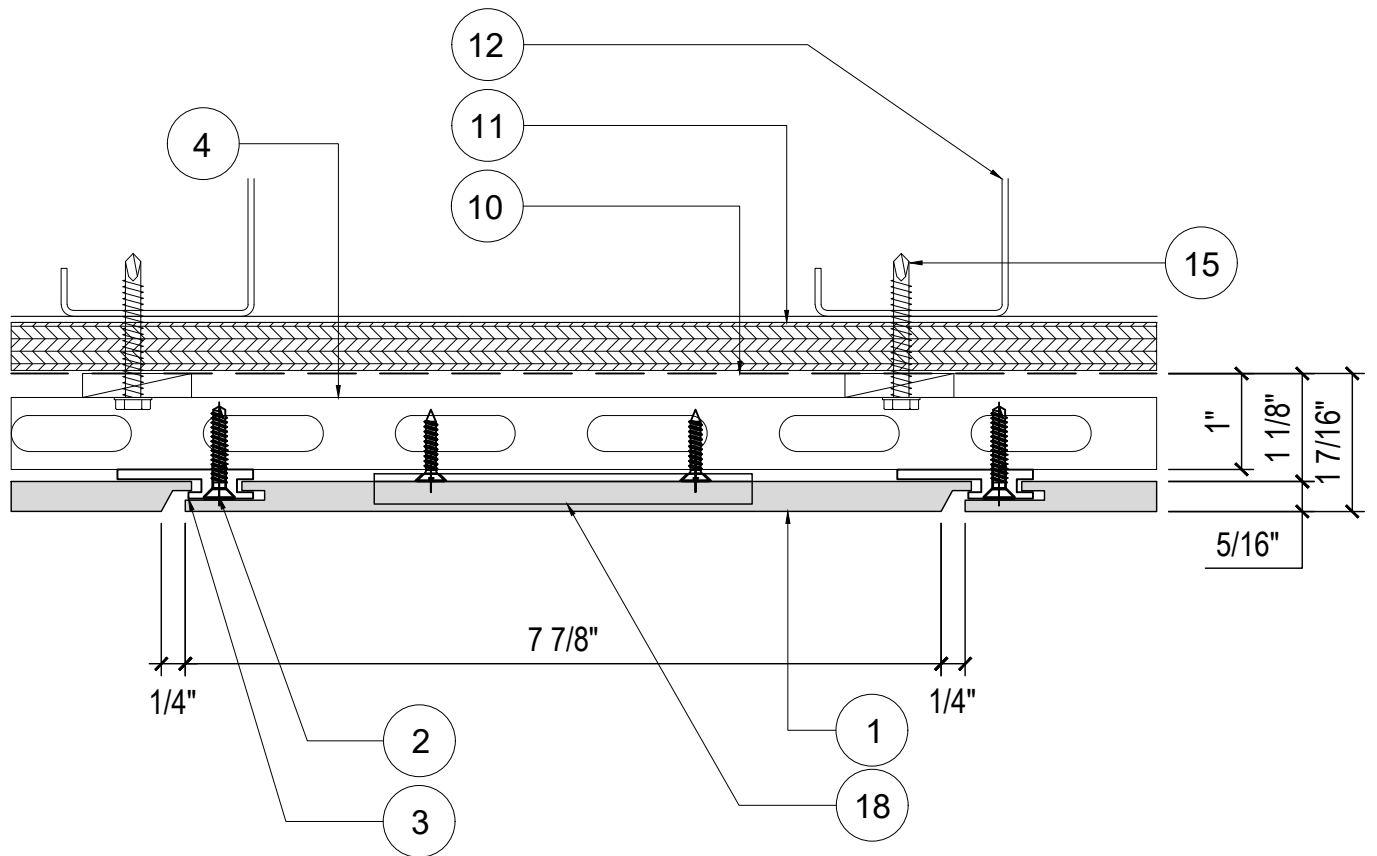
DETAIL NAME:

TYPICAL HORIZONTAL
JOINT DETAIL (C)

DWG. BY: ACE

CHK. BY: ACE

PG. NO: 5 OF 28



EASYMEG



STANDARD DETAIL CREATION

09/08/2023

REV.

ISSUANCE

DATE

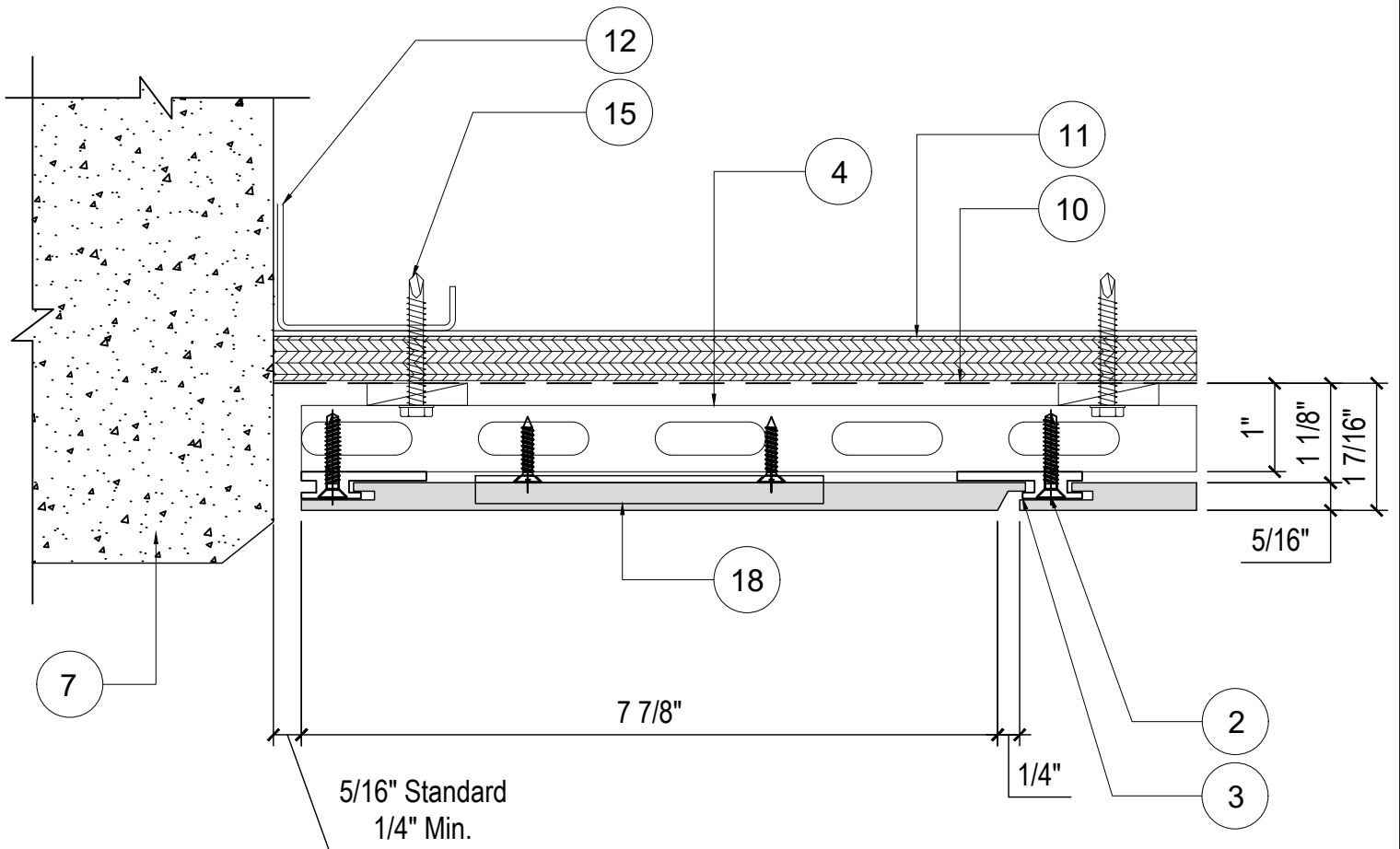
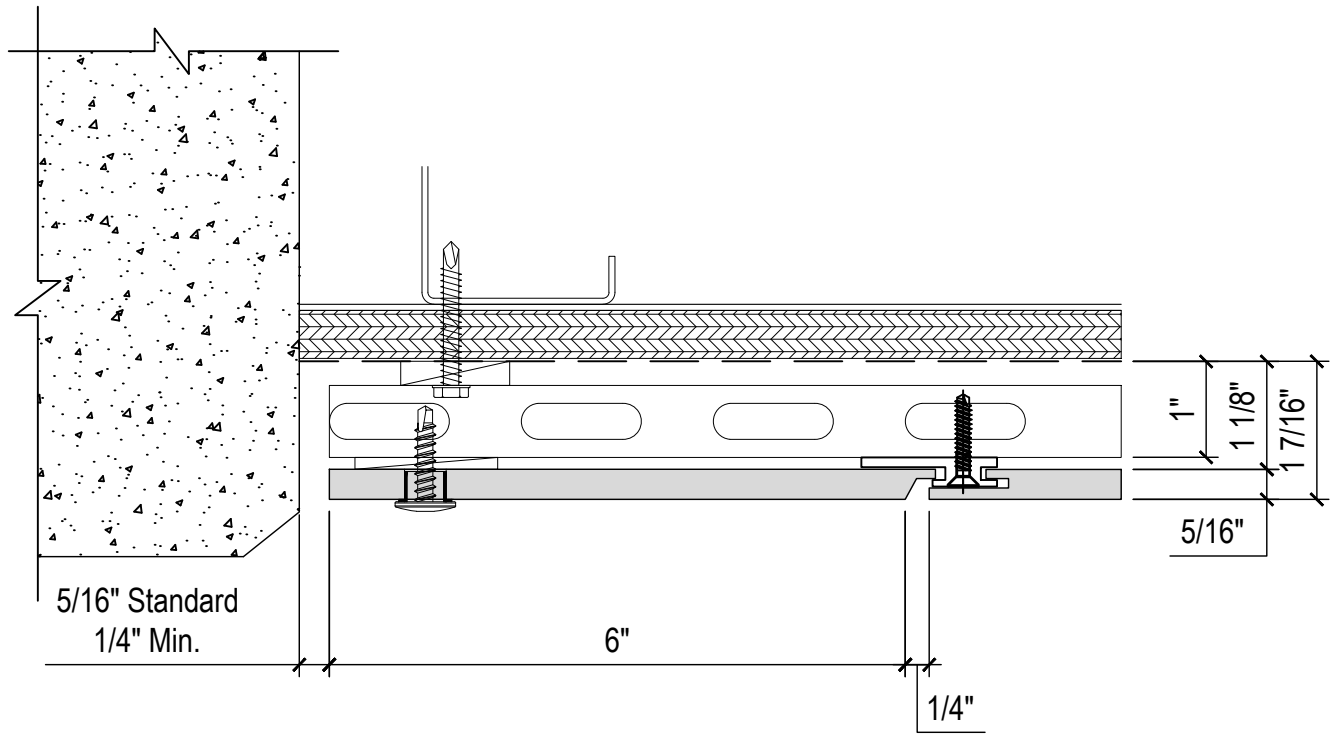
DETAIL NAME:

TYPICAL VERTICAL
JOINT DETAIL (D)

DWG. BY: ACE

CHK. BY: ACE

PG. NO: 6 OF 28



EASYMEG



STANDARD DETAIL CREATION

09/08/2023

REV.

ISSUANCE

DATE

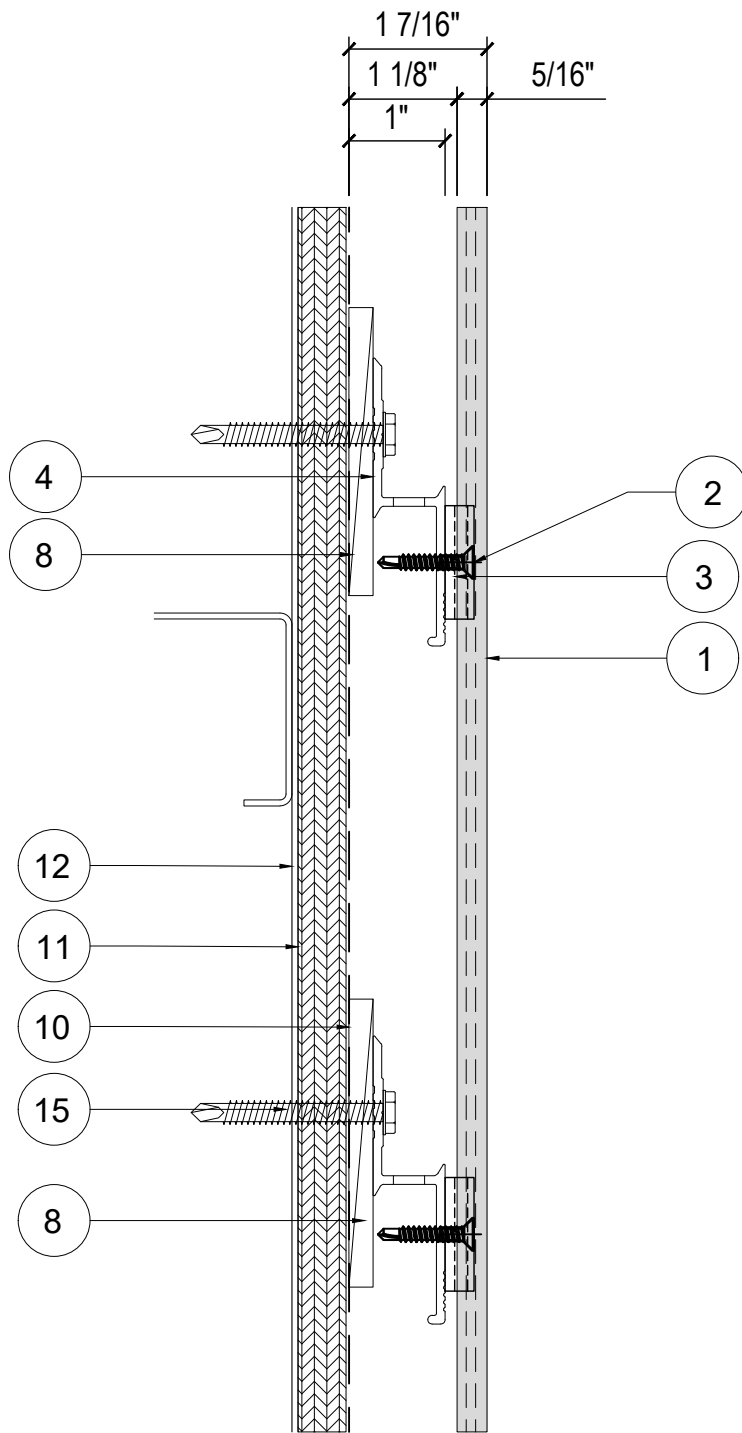
DETAIL NAME:

**VERTICAL TERMINATION
DETAIL (E)**

DWG. BY: ACE

CHK. BY: ACE

PG. NO: 7 OF 28



EASYMEG



STANDARD DETAIL CREATION

09/08/2023

REV.

ISSUANCE

DATE

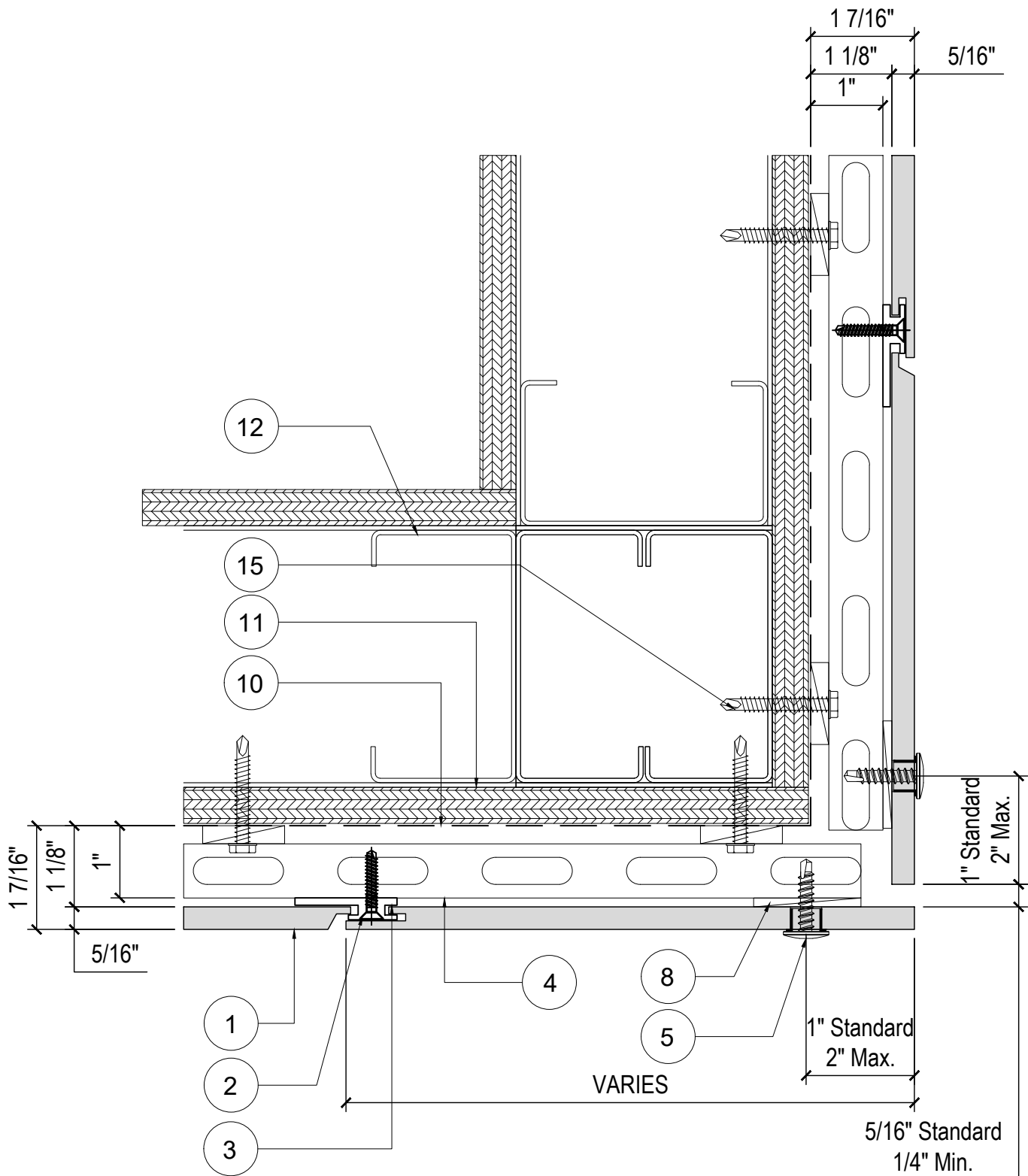
DETAIL NAME:

**VERTICAL MIDDLE SUPPORT
DETAIL (F)**

DWG. BY: ACE

CHK. BY: ACE

PG. NO: 8 OF 28



EASYMEG



STANDARD DETAIL CREATION

09/08/2023

REV.

ISSUANCE

DATE

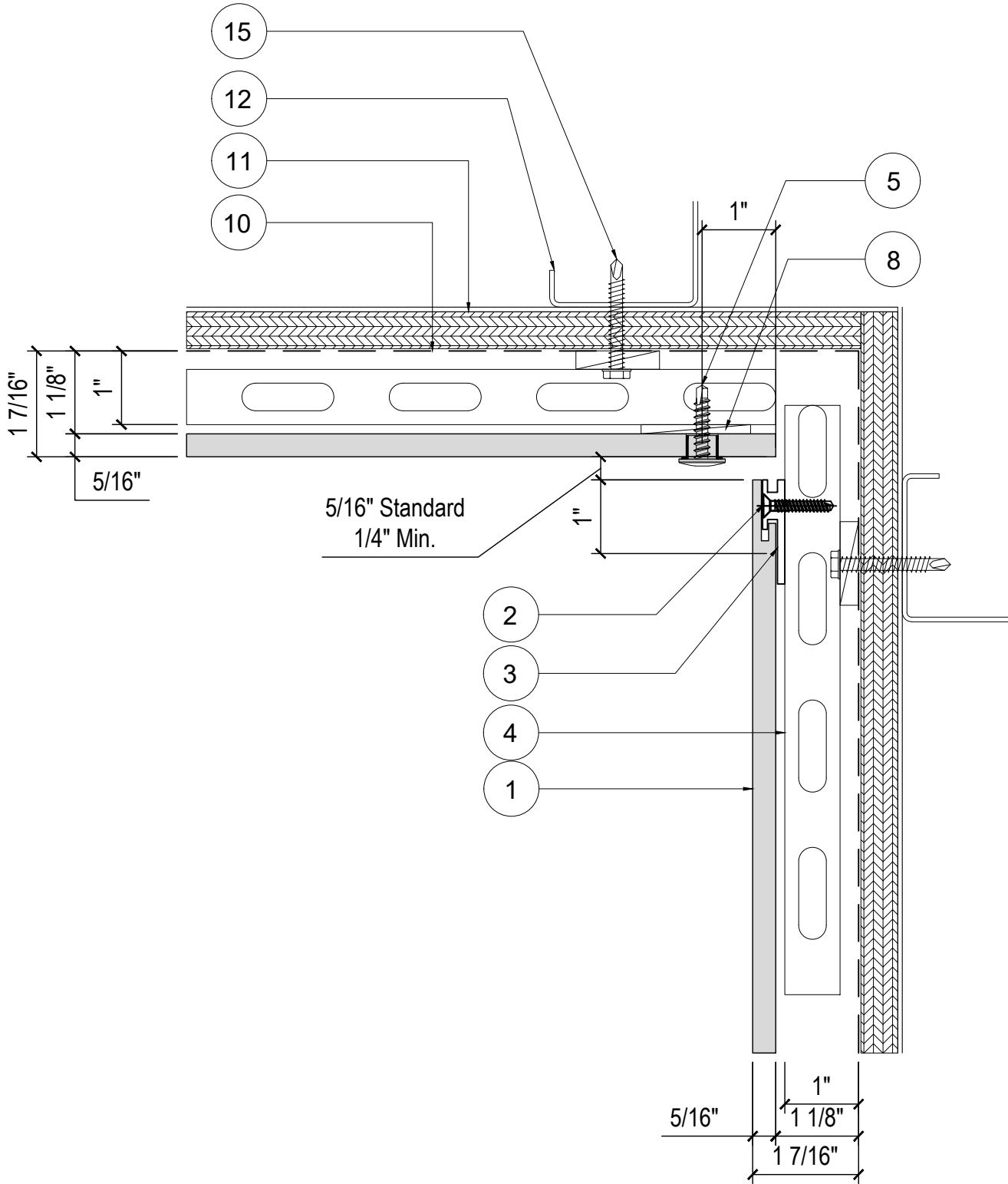
DETAIL NAME:

**VERTICAL OUTSIDE
CORNER DETAIL (G1)**

DWG. BY: ACE

CHK. BY: ACE

PG. NO: 9 OF 28



EASYMEG



STANDARD DETAIL CREATION

09/08/2023

REV.

ISSUANCE

DATE

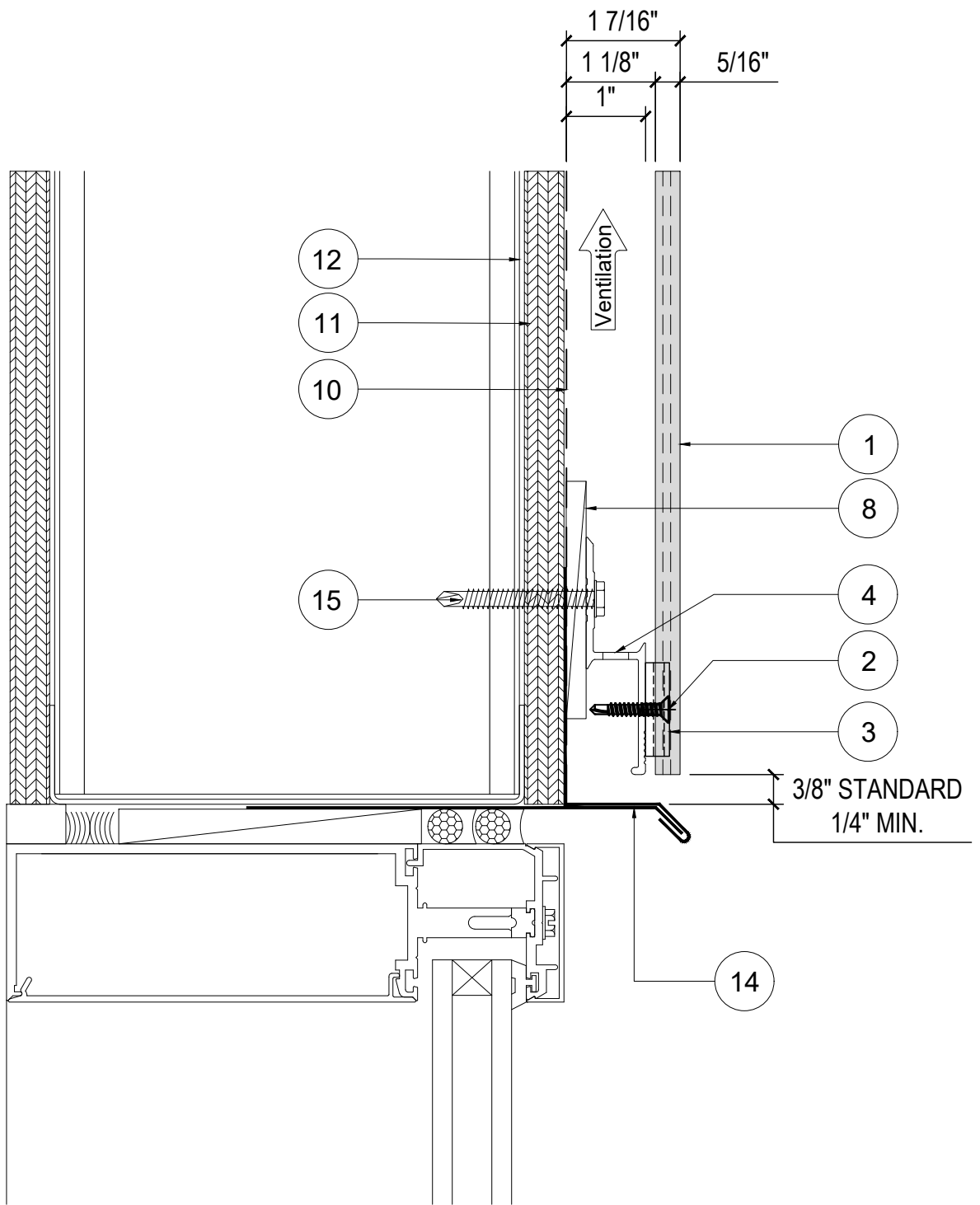
DETAIL NAME:

**VERTICAL INSIDE
CORNER DETAIL (H)**

DWG. BY: ACE

CHK. BY: ACE

PG. NO: 11 OF 28



EASYMEG



STANDARD DETAIL CREATION

09/08/2023

REV.

ISSUANCE

DATE

DETAIL NAME:

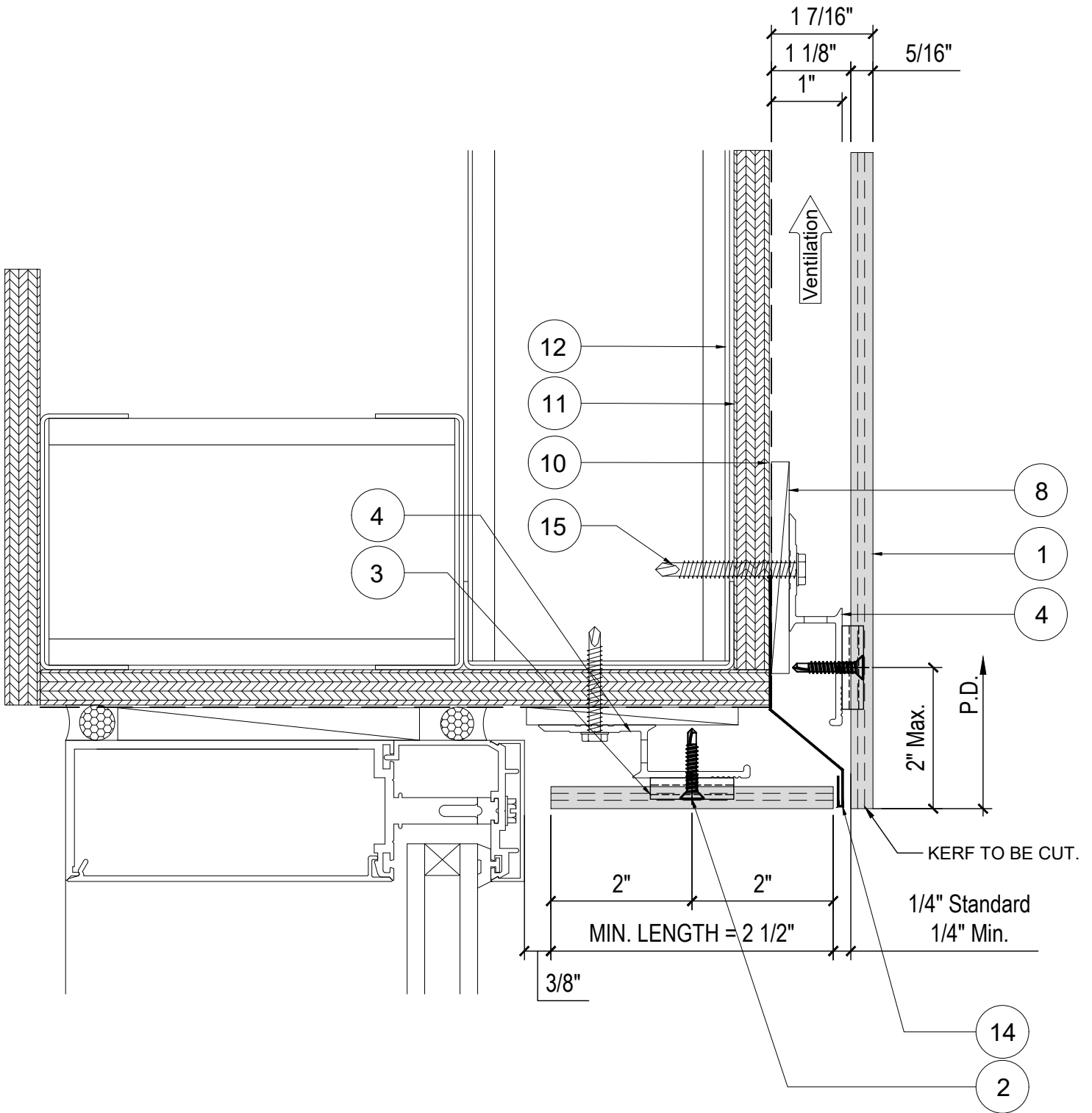
WINDOW HEAD
DETAIL (J1)

DWG. BY: ACE

CHK. BY: ACE

PG. NO: 12 OF 28

MIN LENGTH = 2 1/2" - 2" TO ALLOW FOR COVERAGE OF CLIP + 1/4" OVERAGE ON EACH SIDE
 PANEL LENGTH > 4" 2 CLIPS ARE REQUIRED



EASYMEG



STANDARD DETAIL CREATION

09/08/2023

REV.

ISSUANCE

DATE

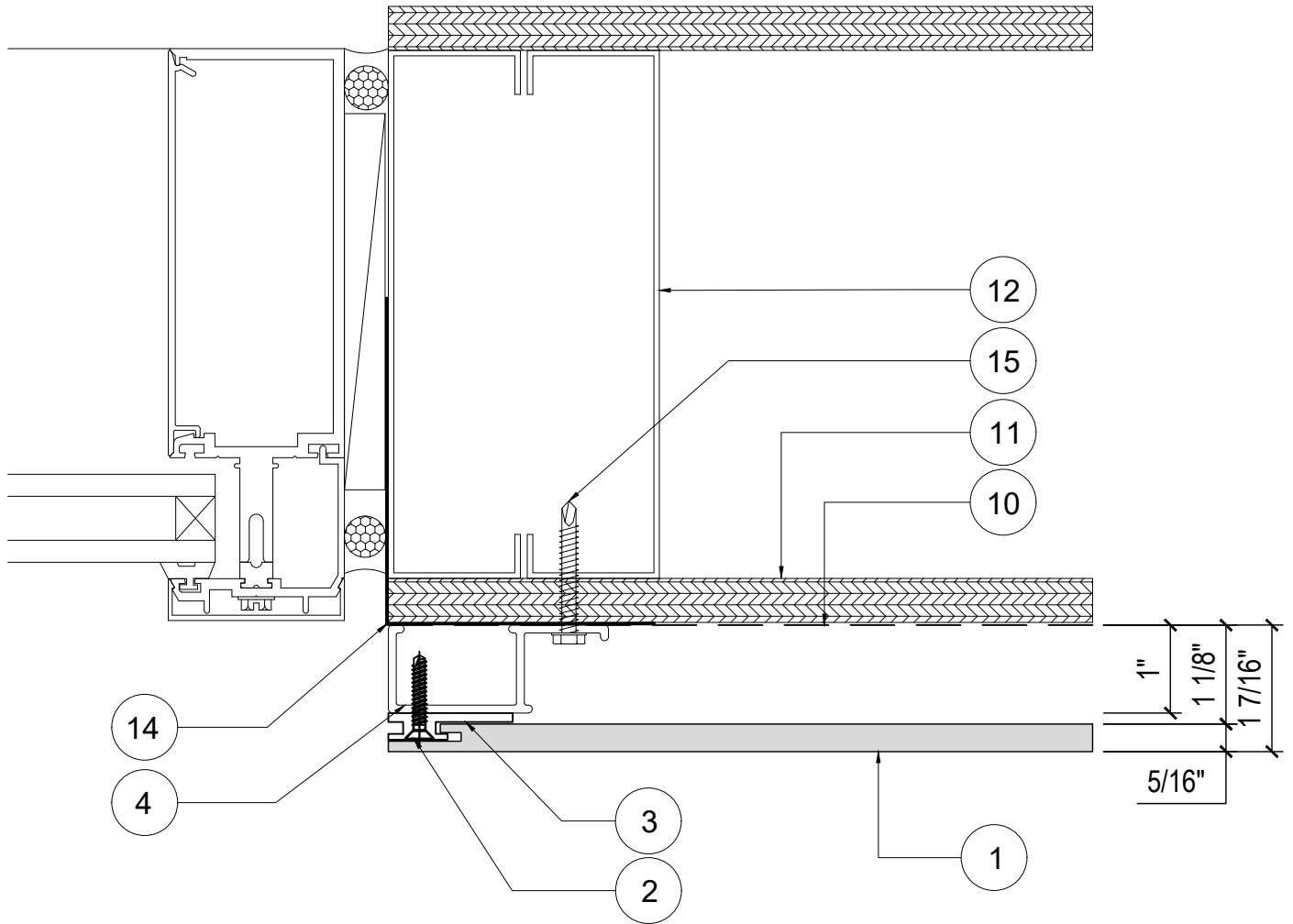
DETAIL NAME:

WINDOW HEAD
 DETAIL (J2)

DWG. BY: ACE

CHK. BY: ACE

PG. NO: 13 OF 28



EASYMEG



STANDARD DETAIL CREATION

09/08/2023

REV.

ISSUANCE

DATE

DETAIL NAME:

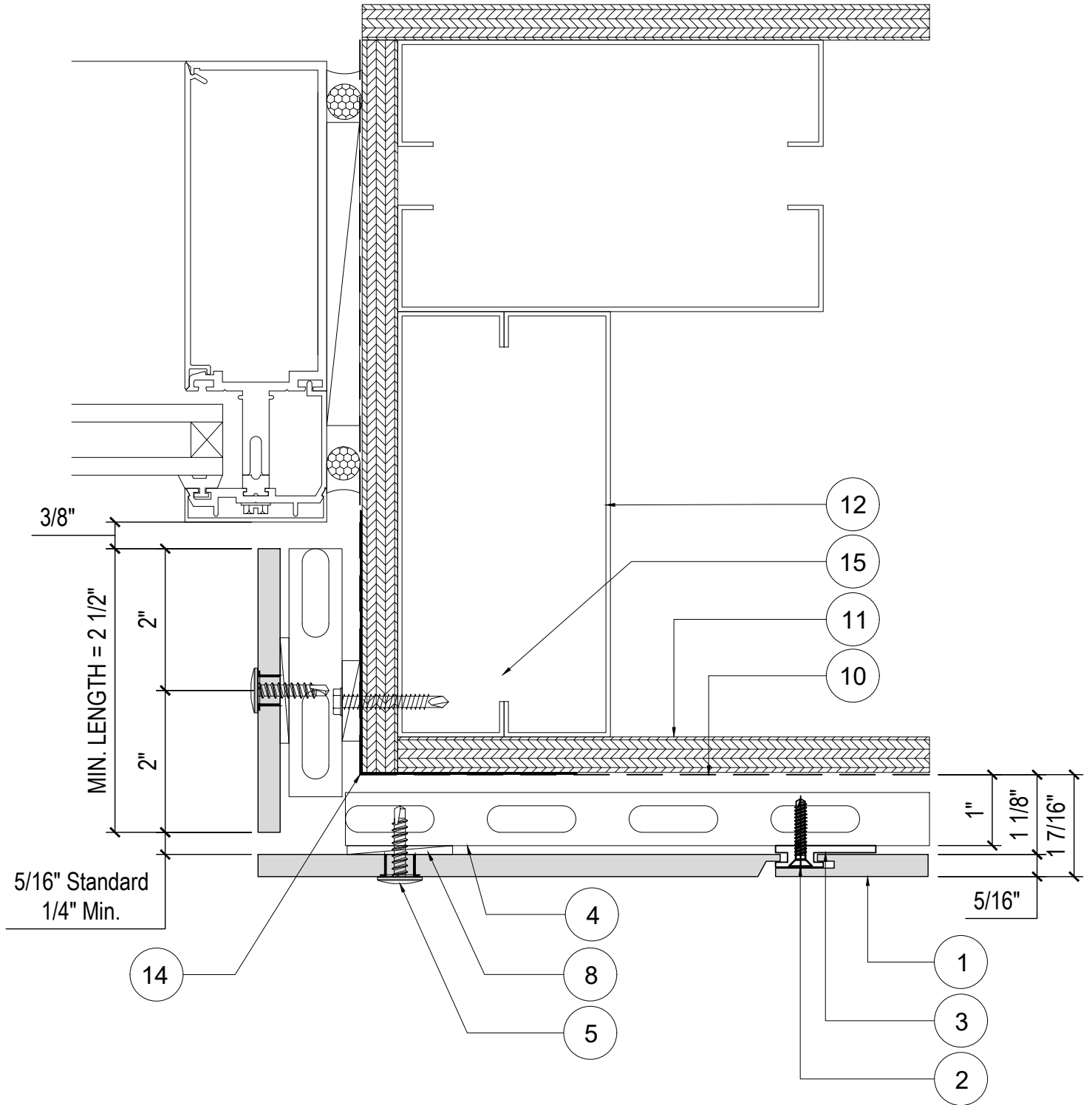
WINDOW JAMB
DETAIL (K1)

DWG. BY: ACE

CHK. BY: ACE

PG. NO: 14 OF 28

MIN LENGTH = 2 1/2" - 2" TO ALLOW FOR COVERAGE OF CLIP + 1/4" OVERAGE ON EACH SIDE
 PANEL LENGTH > 4" 2 CLIPS ARE REQUIRED



EASYMEG



STANDARD DETAIL CREATION

09/08/2023

REV.

ISSUANCE

DATE

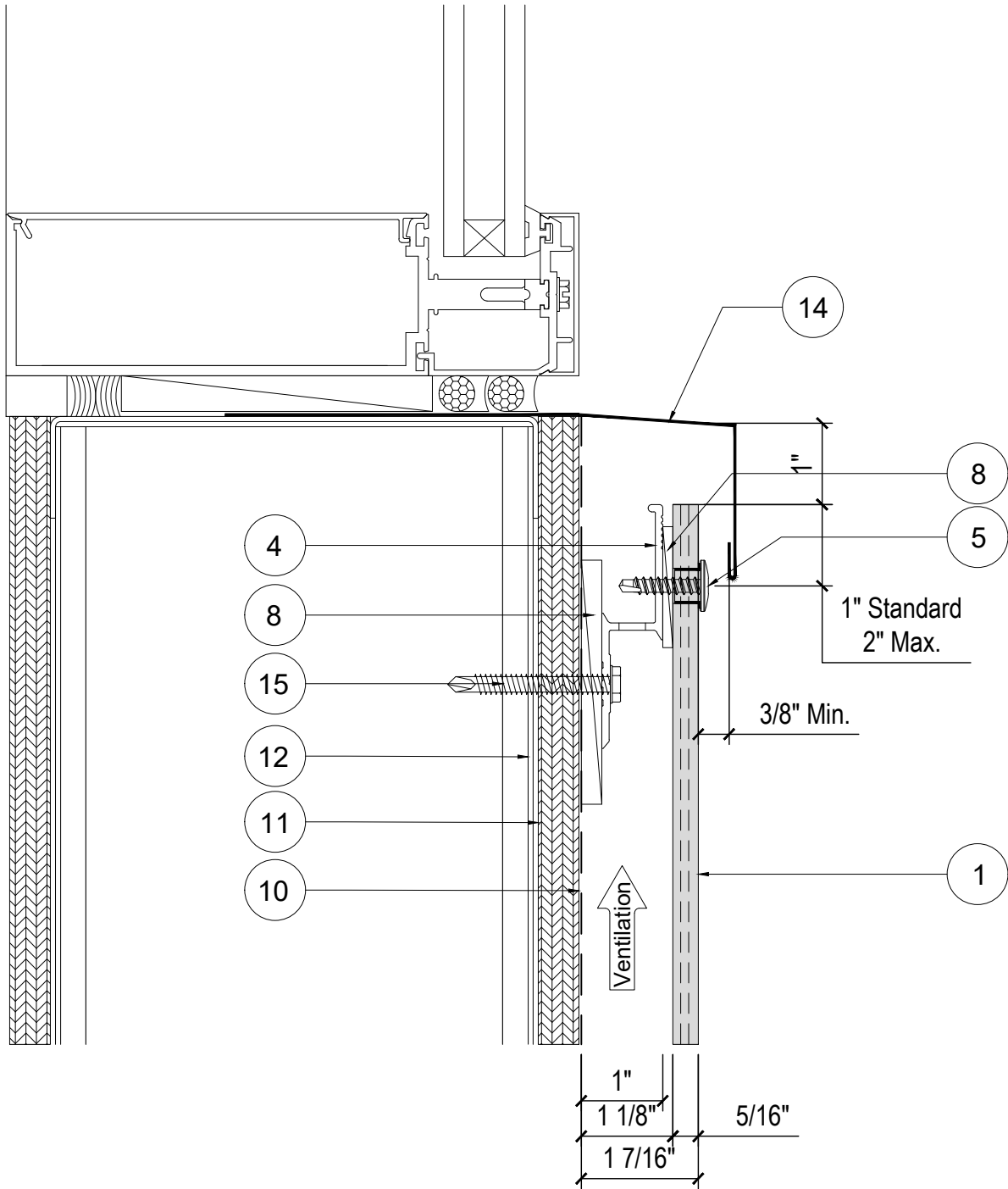
DETAIL NAME:

WINDOW JAMB
DETAIL (K2)

DWG. BY: ACE

CHK. BY: ACE

PG. NO: 15 OF 28



EASYMEG



STANDARD DETAIL CREATION

09/08/2023

REV.

ISSUANCE

DATE

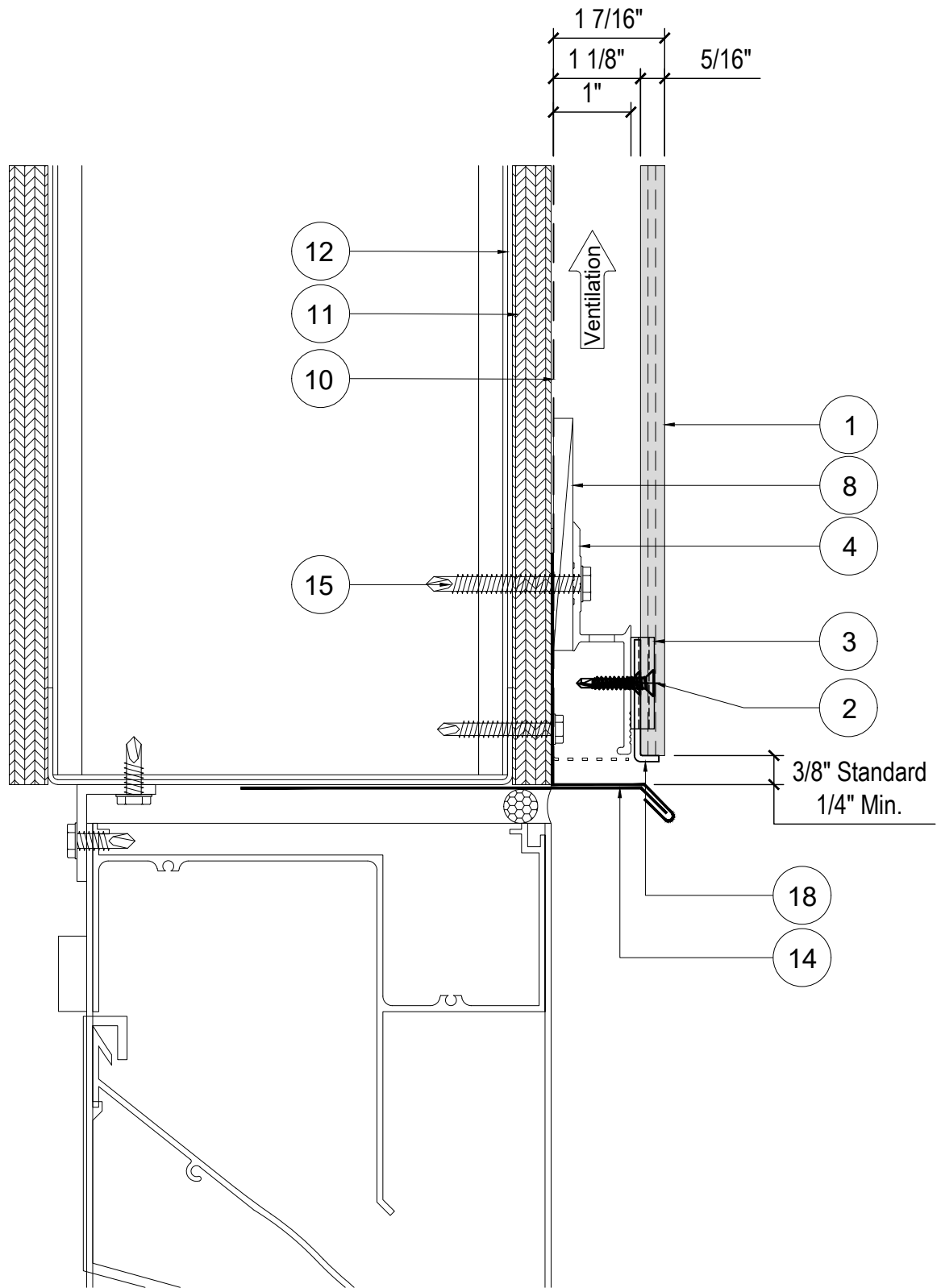
DETAIL NAME:

WINDOW SILL
DETAIL (L)

DWG. BY: ACE

CHK. BY: ACE

PG. NO: 16 OF 28



EASYMEG



STANDARD DETAIL CREATION

09/08/2023

REV.

ISSUANCE

DATE

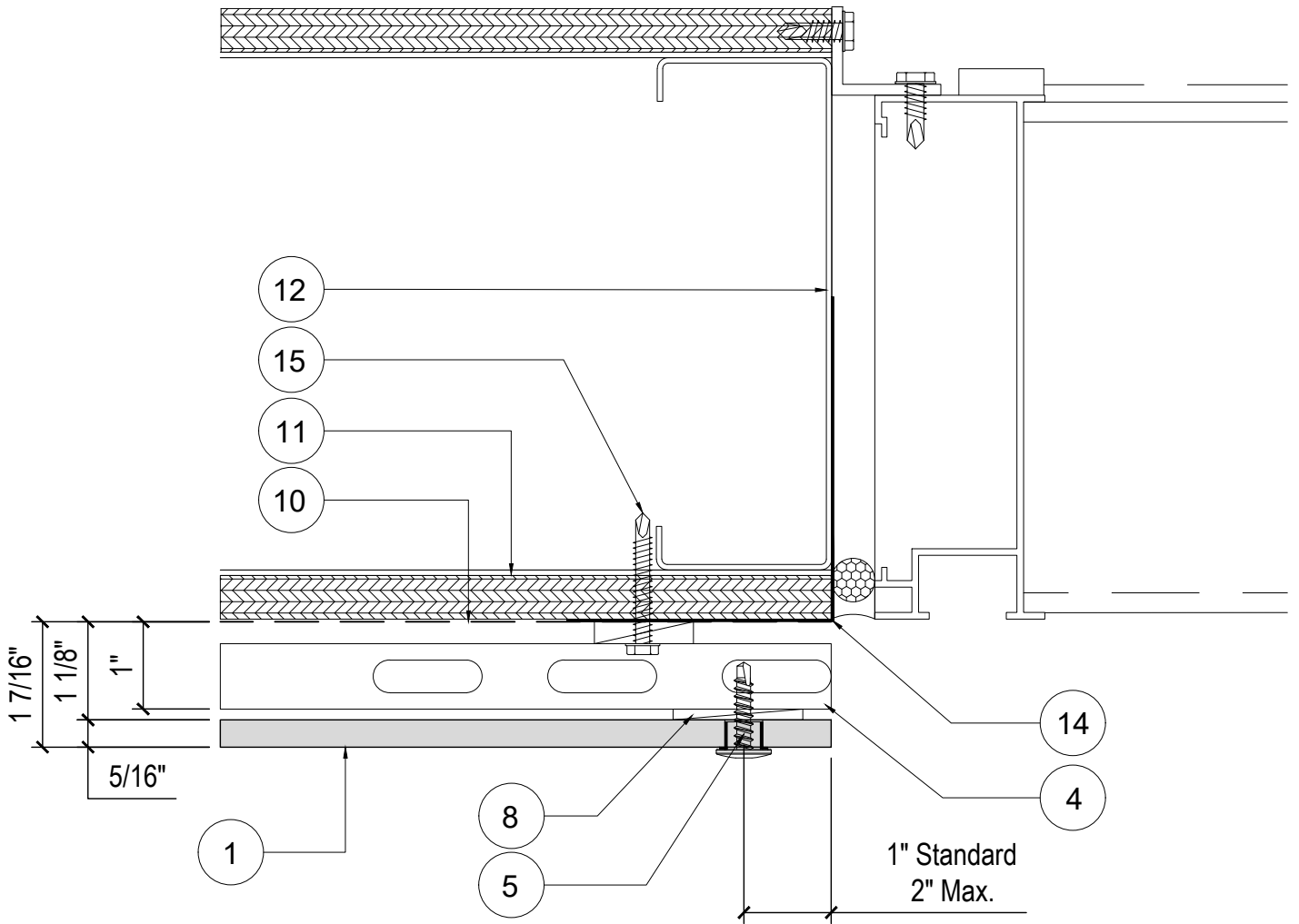
DETAIL NAME:

**LOUVER HEAD
DETAIL (M)**

DWG. BY: ACE

CHK. BY: ACE

PG. NO: 17 OF 28



EASYMEG



STANDARD DETAIL CREATION

09/08/2023

REV.

ISSUANCE

DATE

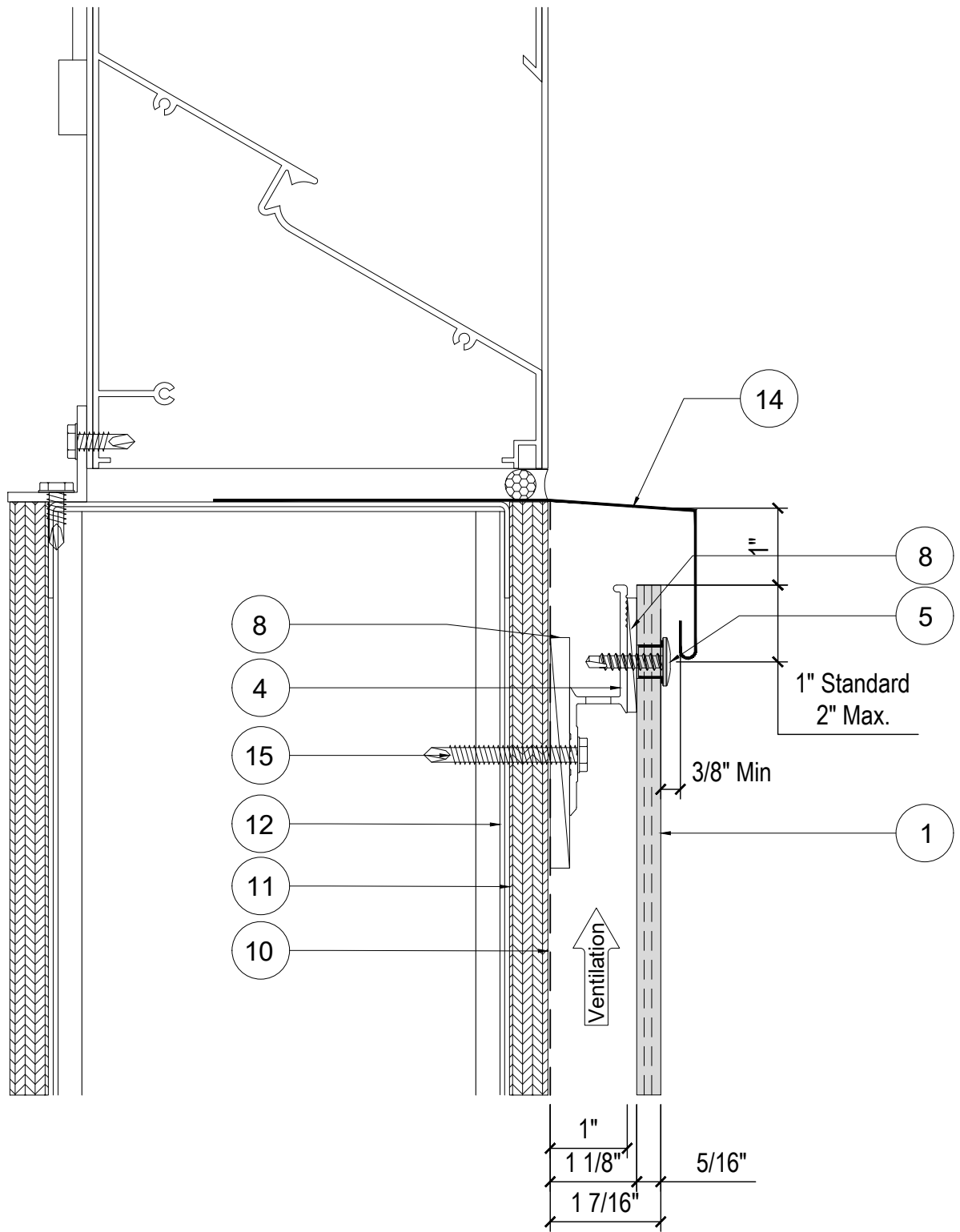
DETAIL NAME:

**LOUVER JAMB
DETAIL (N)**

DWG. BY: ACE

CHK. BY: ACE

PG. NO: 18 OF 28



EASYMEG



STANDARD DETAIL CREATION

09/08/2023

REV.

ISSUANCE

DATE

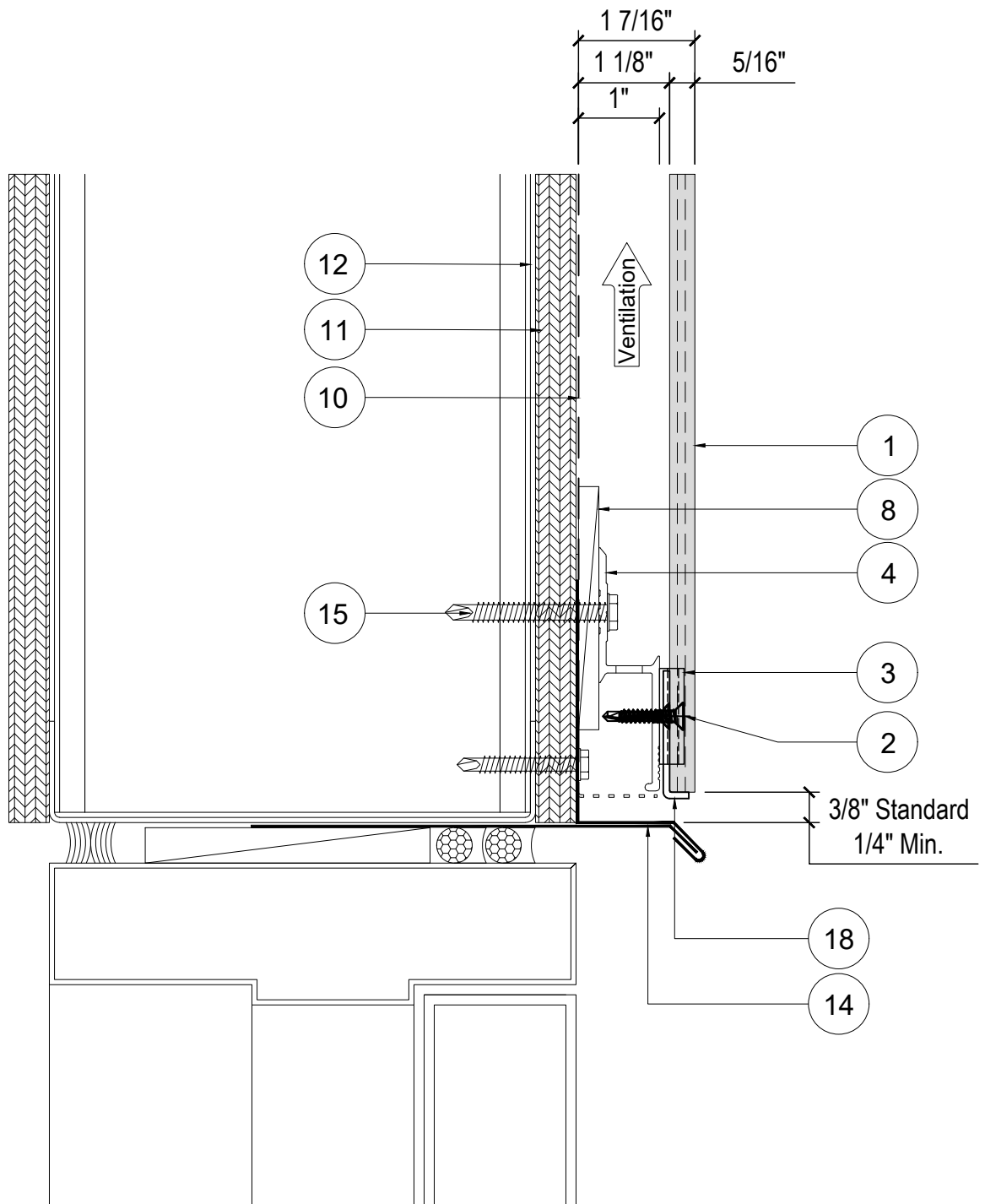
DETAIL NAME:

**LOUVER SILL
DETAIL (P)**

DWG. BY: ACE

CHK. BY: ACE

PG. NO: 19 OF 28



EASYMEG



STANDARD DETAIL CREATION

09/08/2023

DETAIL NAME:

H.M. DOOR HEAD
DETAIL (Q)

REV.

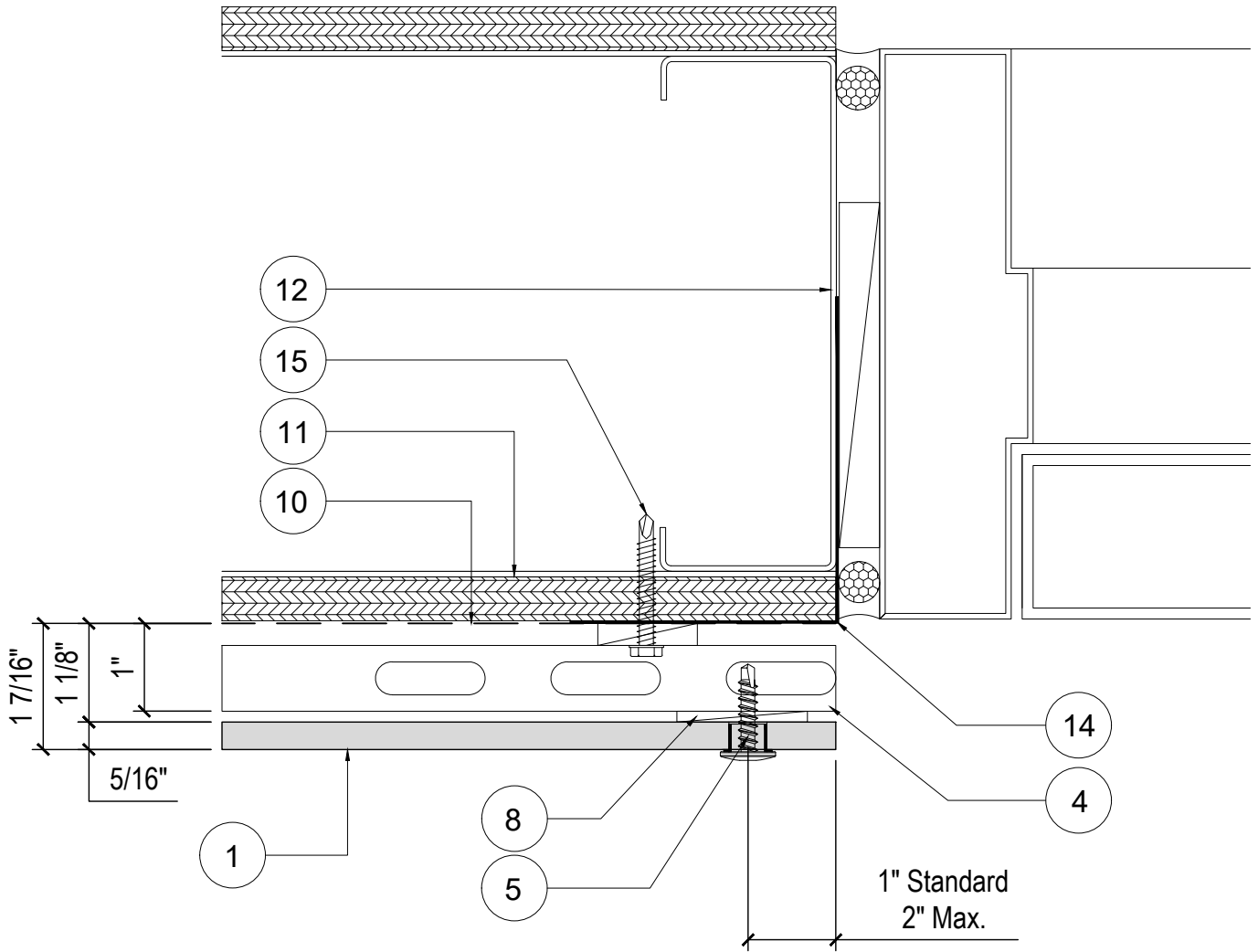
ISSUANCE

DATE

DWG. BY: ACE

CHK. BY: ACE

PG. NO: 20 OF 28



EASYMEG



STANDARD DETAIL CREATION

09/08/2023

REV.

ISSUANCE

DATE

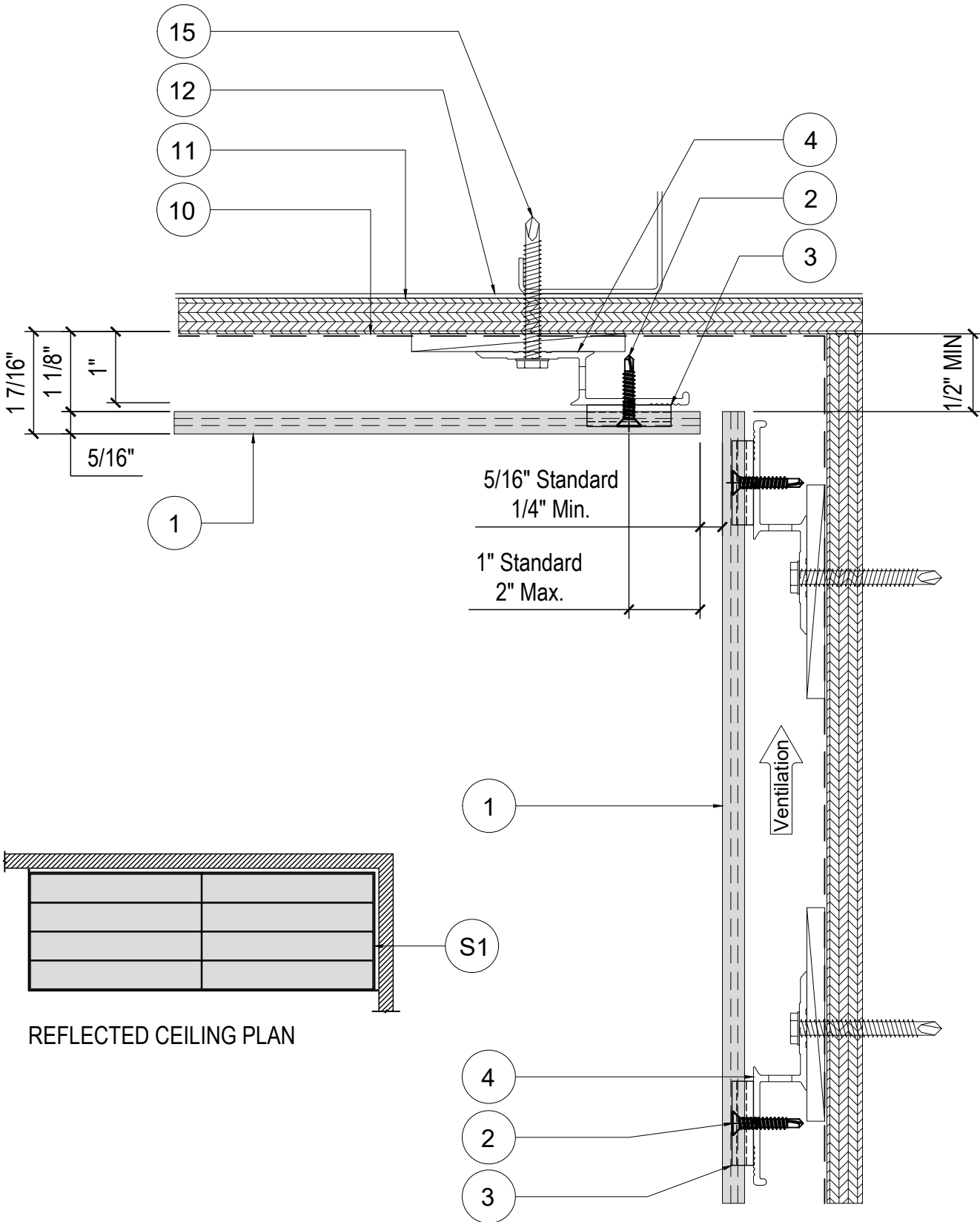
DETAIL NAME:

H.M. DOOR JAMB
DETAIL (R)

DWG. BY: ACE

CHK. BY: ACE

PG. NO: 21 OF 28



EASYMEG



STANDARD DETAIL CREATION

09/08/2023

REV.

ISSUANCE

DATE

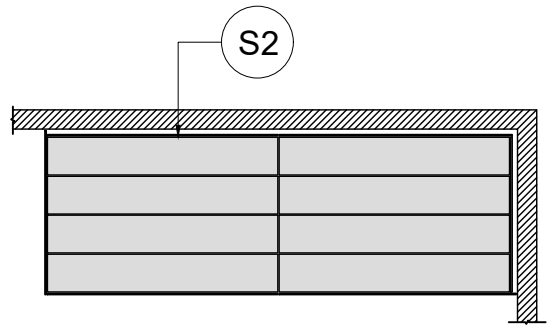
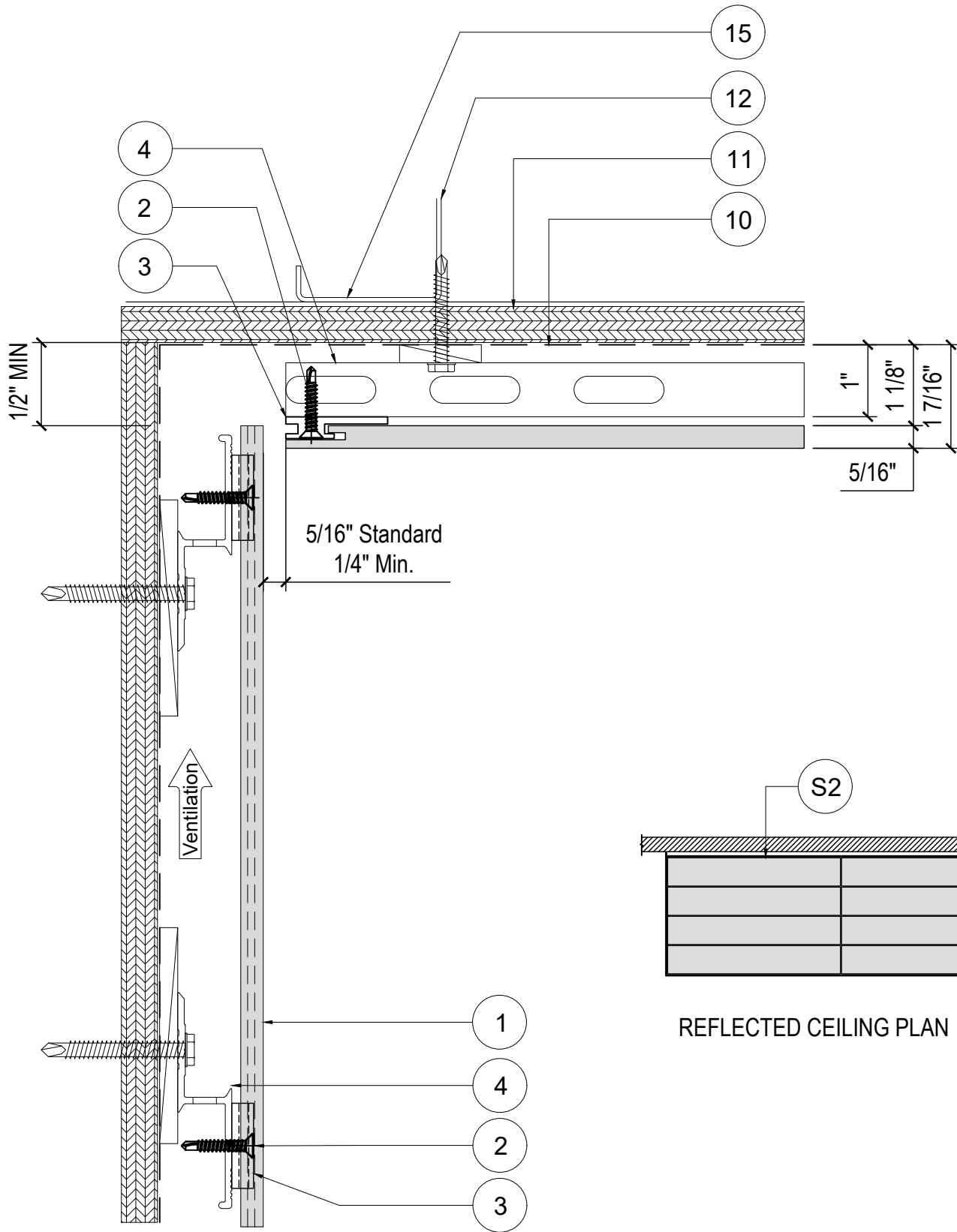
DETAIL NAME:

**PANEL SOFFIT TRANSITION
DETAIL (S1)**

DWG. BY: ACE

CHK. BY: ACE

PG. NO: 22 OF 28



REFLECTED CEILING PLAN

EASYMEG



STANDARD DETAIL CREATION

09/08/2023

REV.

ISSUANCE

DATE

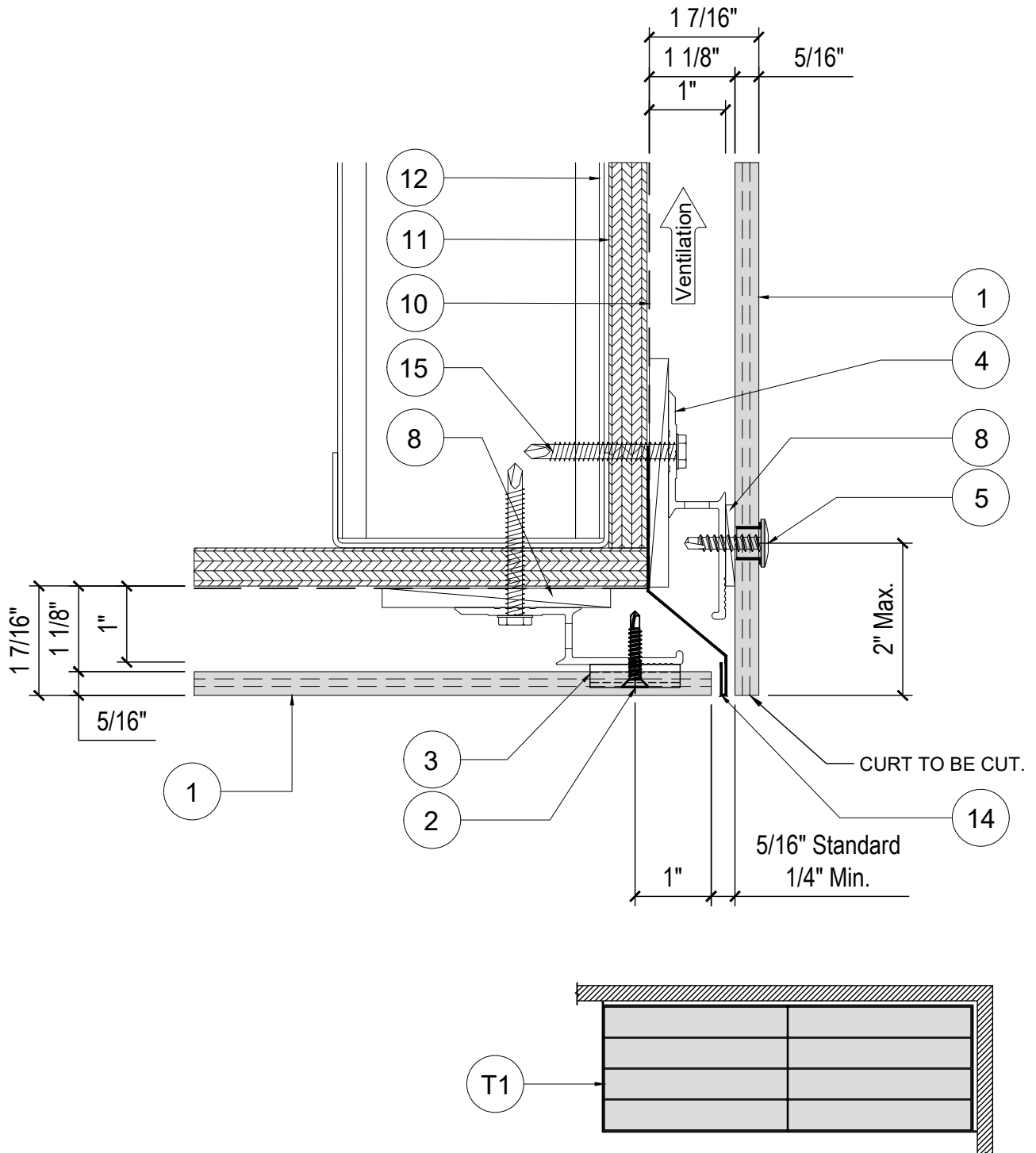
DETAIL NAME:

**PANEL SOFFIT TRANSITION
DETAIL (S2)**

DWG. BY: ACE

CHK. BY: ACE

PG. NO: 23 OF 28



REFLECTED CEILING PLAN

EASYMEG



STANDARD DETAIL CREATION

09/08/2023

REV.

ISSUANCE

DATE

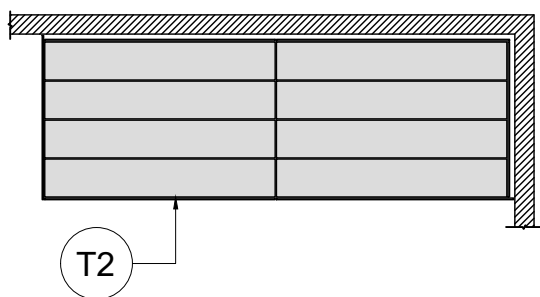
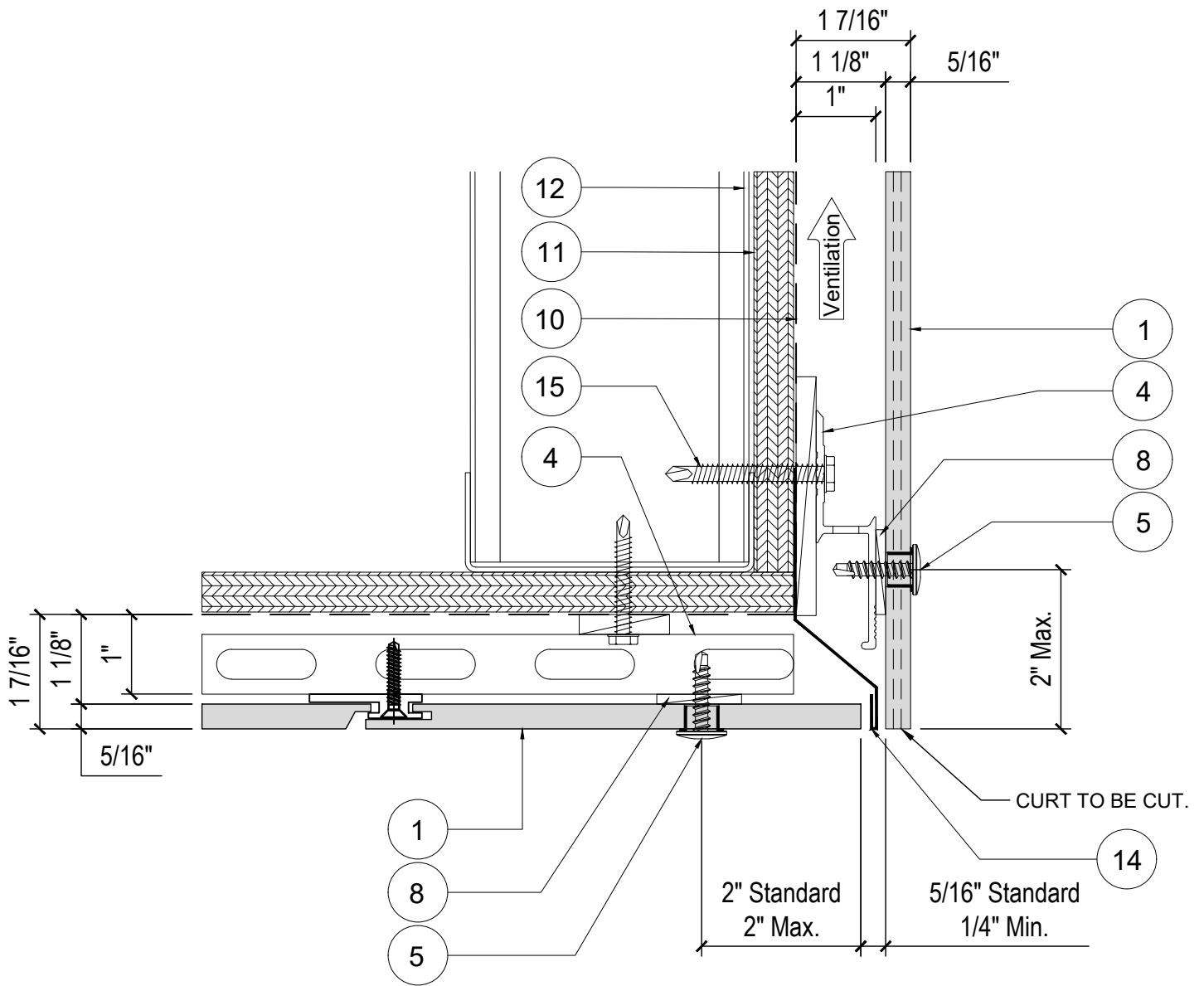
DETAIL NAME:

PANEL SOFFIT TRANSITION
DETAIL (T1)

DWG. BY: ACE

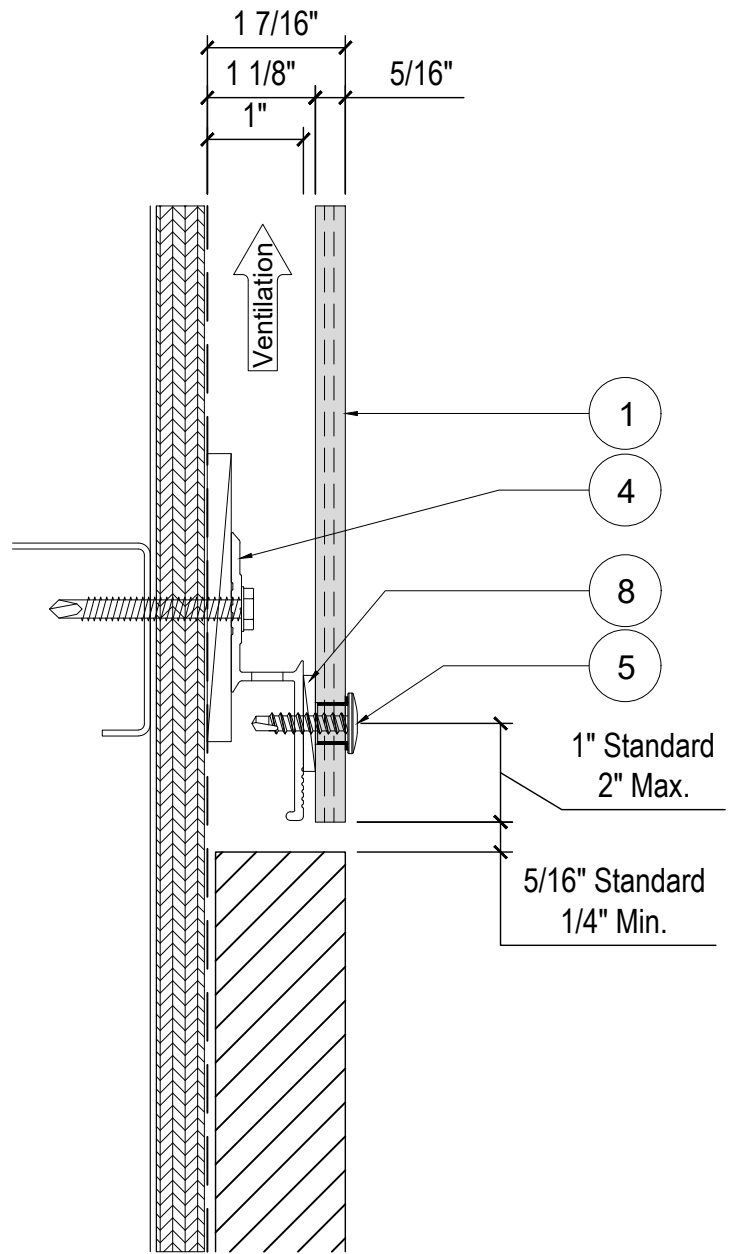
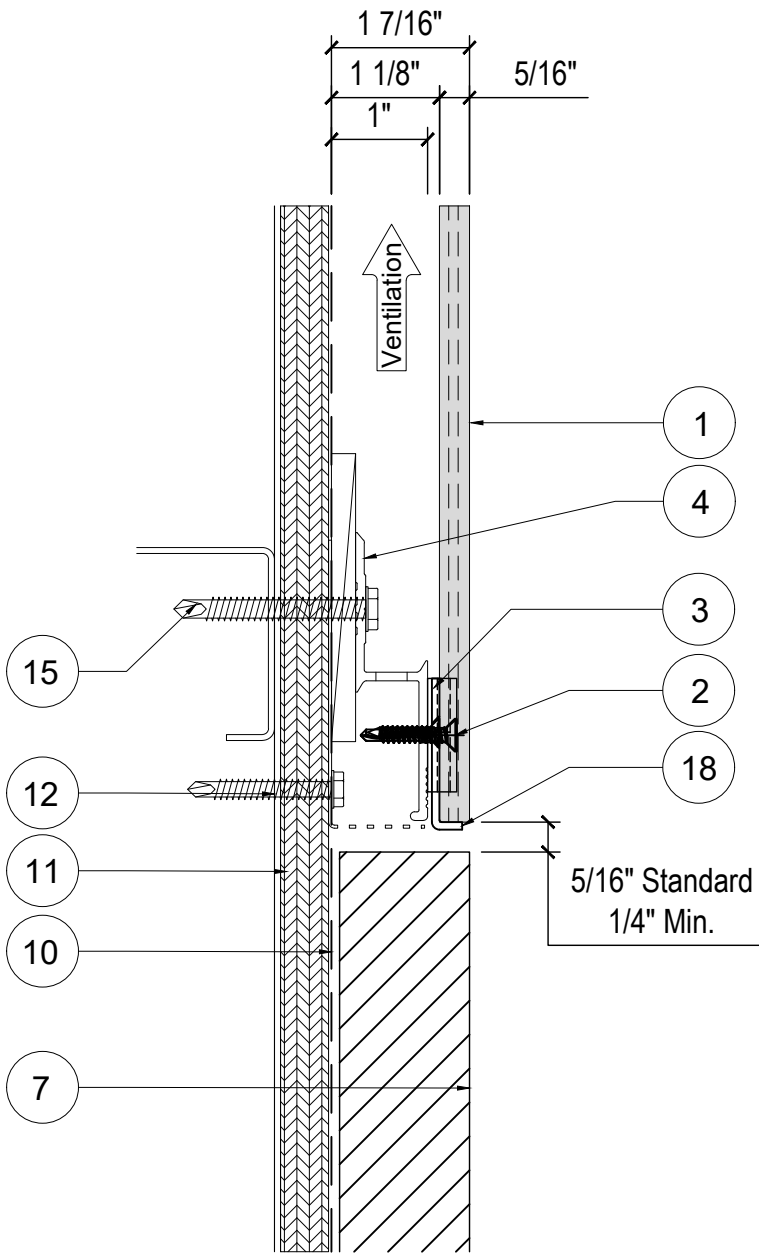
CHK. BY: ACE

PG. NO: 24 OF 28



REFLECTED CEILING PLAN

EASYMEG	STANDARD DETAIL CREATION	09/08/2023	DETAIL NAME: PANEL SOFFIT TRANSITION DETAIL (T2)		
	ISSUANCE	DATE	DWG. BY: ACE	CHK. BY: ACE	PG. NO: 25 OF 28



EASYMEG



STANDARD DETAIL CREATION

09/08/2023

REV.

ISSUANCE

DATE

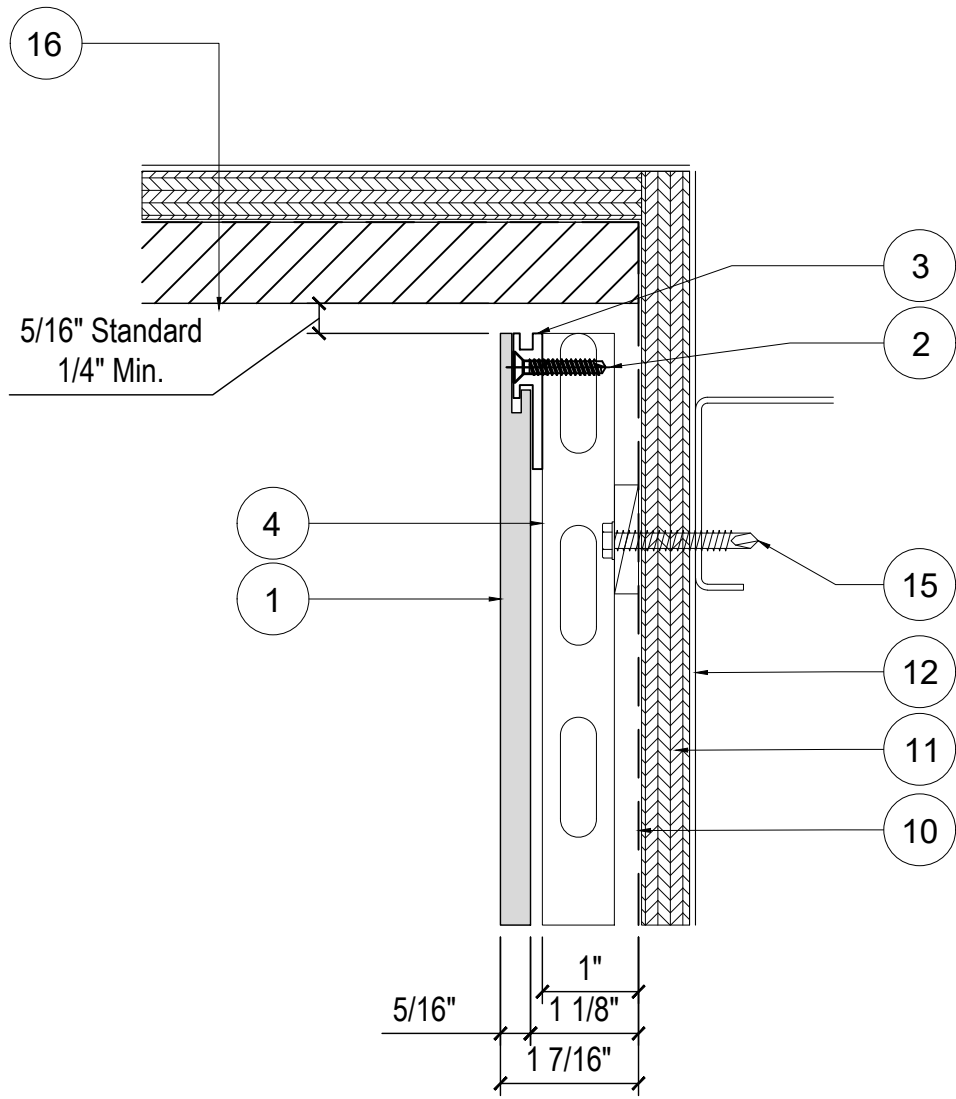
DETAIL NAME:

**HORIZONTAL TRANSITION
DETAIL @ ARCH. PANEL (U)**

DWG. BY: ACE

CHK. BY: ACE

PG. NO: 26 OF 28



EASYMEG



STANDARD DETAIL CREATION

09/08/2023

REV.

ISSUANCE

DATE

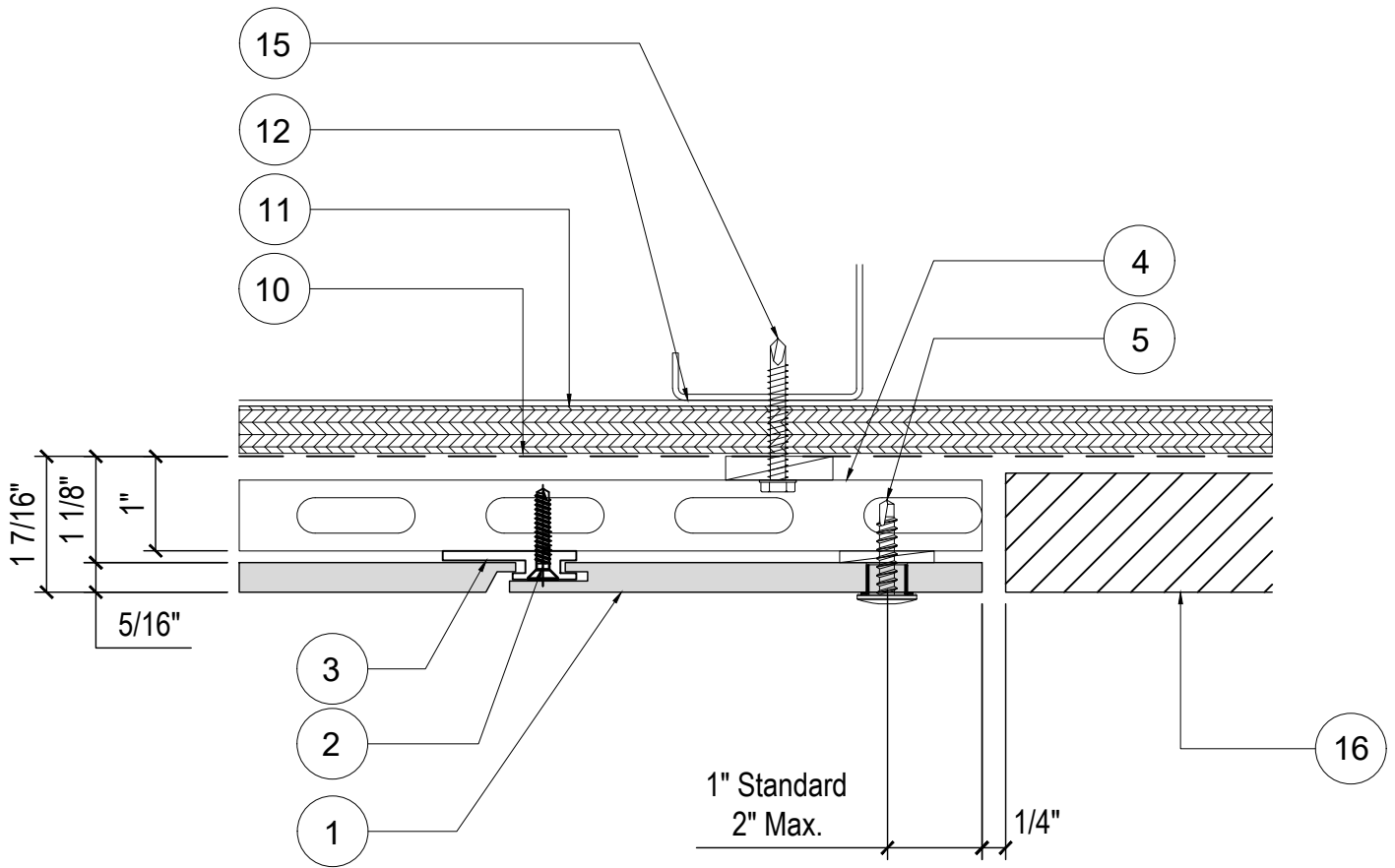
DETAIL NAME:

**VERTICAL TRANSITION
DETAIL @ ARCH. PANEL (V)**

DWG. BY: ACE

CHK. BY: ACE

PG. NO: 27 OF 28



EASYMEG



STANDARD DETAIL CREATION

09/08/2023

REV.

ISSUANCE

DATE

DETAIL NAME:

**VERTICAL TRANSITION
DETAIL @ ARCH. PANEL (W)**

DWG. BY: ACE

CHK. BY: ACE

PG. NO: 28 OF 28