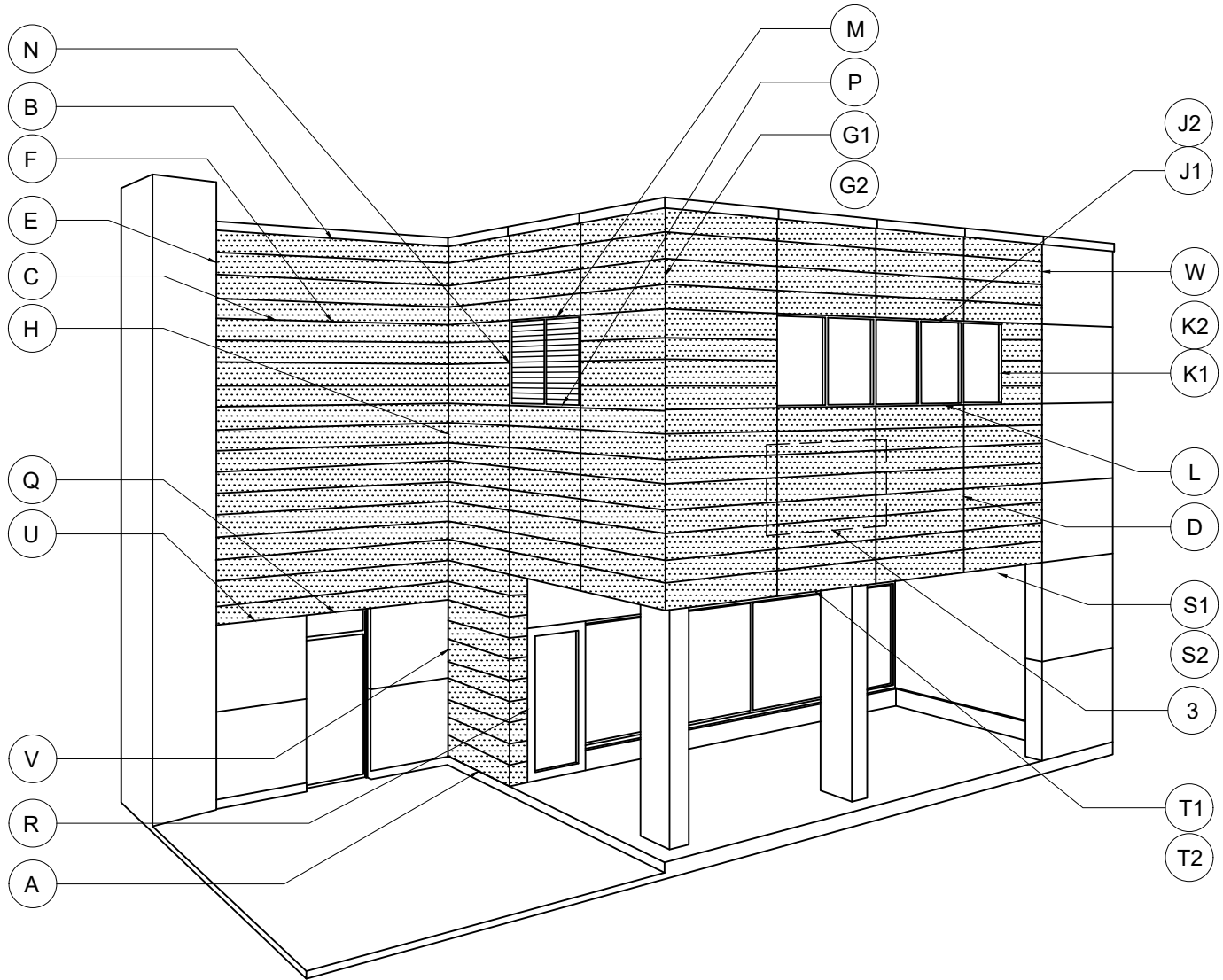


# ABET LAMINATI - EASY MEG HORIZONTAL 1" STANDOFF DETAILS



**EASYMEG**

ABET LAMINATI



ANNOTATION CHANGES

08/16/2024



STANDARD DETAIL CREATION

06/15/2023

REV.

ISSUANCE

DATE

DETAIL NAME:

DWG. BY: ACE

CHK. BY: ACE

PG. NO: OF 28

## TABLE OF CONTENTS

<u>Page No:</u>		<u>Details:</u>
00	DETAIL LOCATOR	
01	TABLE OF CONTENTS	
02	PARTIAL PANEL ELEVATION	(0)
03	BOTTOM TERMINATION	(A)
04	TOP TERMINATION DETAIL	(B)
05	HORIZONTAL JOINT DETAIL	(C)
06	VERTICAL JOINT DETAIL	(D)
07	VERTICAL TERMINATION DETAIL	(E)
08	PLAN MIDDLE SUPPORT DETAIL	(F)
09	OUTSIDE CORNER DETAIL (Option 1)	(G1)
10	OUTSIDE CORNER DETAIL (Option 2)	(G2)
11	VERTICAL INSIDE CORNER DETAIL	(H)
12	WINDOW HEAD DETAIL (Option 1)	(J1)
13	WINDOW HEAD DETAIL (Option 2)	(J2)
14	WINDOW JAMB DETAIL (Option 1)	(K1)
15	WINDOW JAMB DETAIL (Option 2)	(K2)
16	WINDOW SILL DETAIL	(L)
17	LOUVER HEAD DETAIL	(M)
18	LOUVER JAMB DETAIL	(N)
19	LOUVER SILL DETAIL	(P)
20	H.M. DOOR HEAD DETAIL	(Q)
21	H.M. DOOR JAMB DETAIL	(R)
22	PANEL/SOFFIT TRANSITION DETAIL (1)	(S1)
23	PANEL/SOFFIT TRANSITION DETAIL (2)	(S2)
24	PANEL/FASCIA TRANSITION DETAIL (1)	(T1)
25	PANEL/FASCIA TRANSITION DETAIL (2)	(T2)
26	VERTICAL TRANSITION DETAIL	(U)
27	VERTICAL TRANSITION DETAIL	(V)
28	HORIZONTAL TRANSITION DETAIL	(W)

## DISCLAIMER

ALL STRUCTURAL SUPPORTS ARE NOT BY ABET LAMINATI AND ARE SHOWN FOR CLARIFICATION PURPOSES ONLY.

THE FOLLOWING DETAILS ARE PROVIDED AS A GUIDELINE FOR PROPER PANEL AND ASSOCIATED COMPONENT INSTALLATION. THEY ARE BASED ON INDUSTRY ACCEPTED PRACTICES.

ITEMS SHOWN THAT ARE NOT PURCHASED FROM OR PROVIDED BY ABET ARE SHOWN FOR COORDINATION AND SYSTEM PERFORMANCE REQUIREMENTS ONLY.

# EASYMEG

## ABET LAMINATI



ANNOTATION CHANGES

08/16/2024



STANDARD DETAIL CREATION

06/15/2023

REV.

ISSUANCE

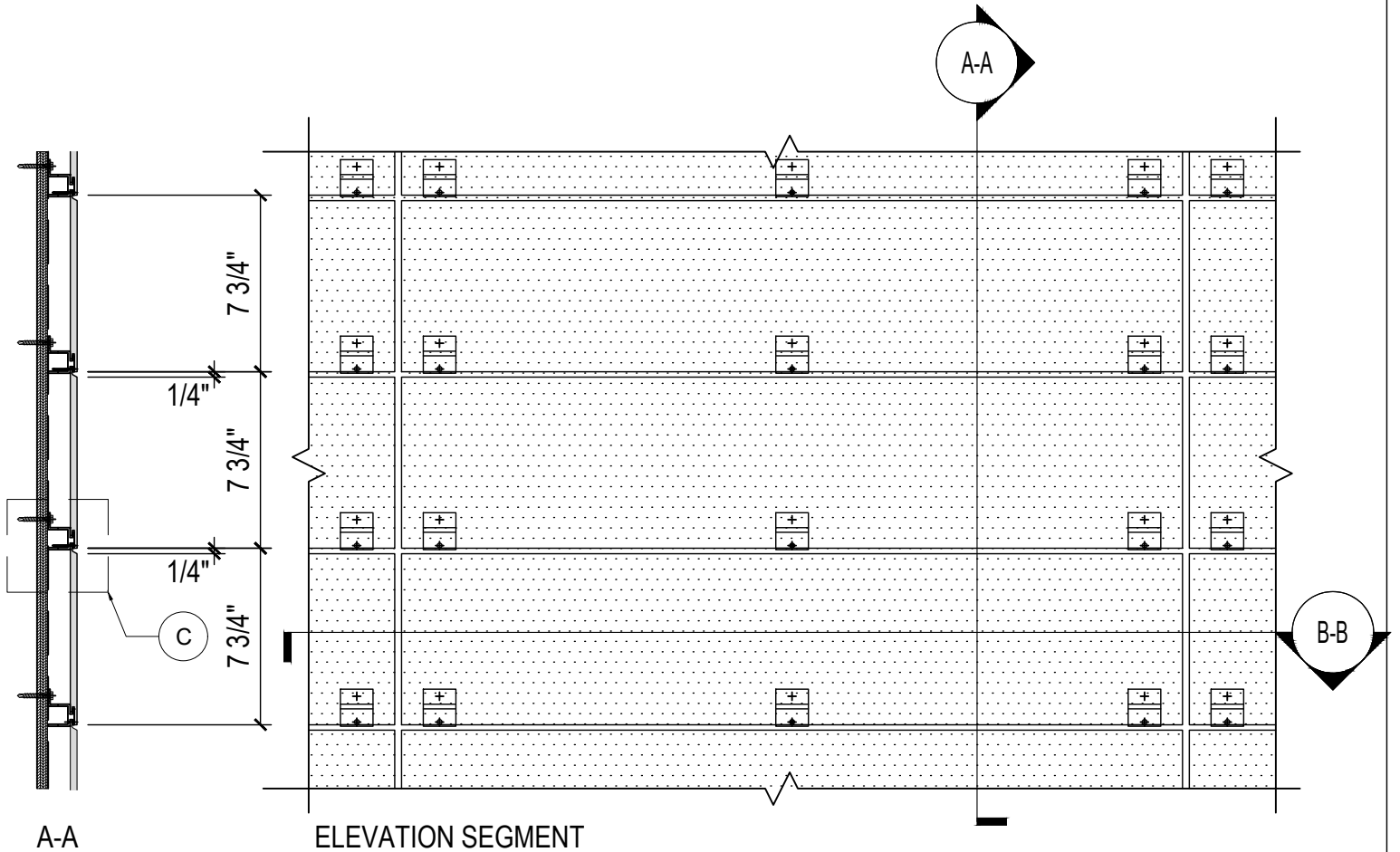
DATE

DETAIL NAME:

DWG. BY: ACE

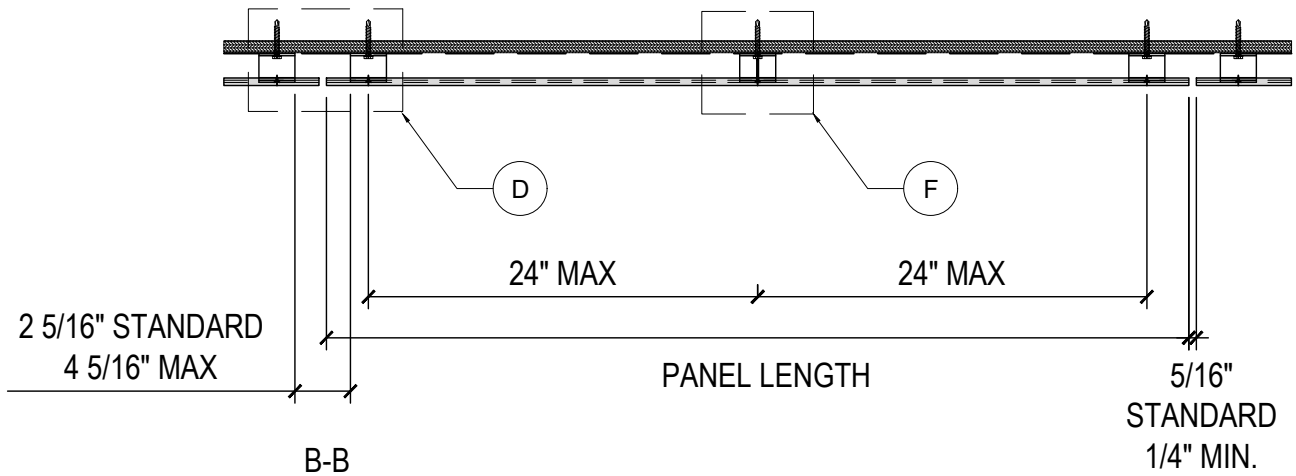
CHK. BY: ACE

PG. NO: 1 OF 28



A-A ELEVATION SEGMENT

TYPICAL 8" EASY MEG



B-B

**EASYMEG**

ABET LAMINATI



ANNOTATION CHANGES

08/16/2024



STANDARD DETAIL CREATION

06/15/2023

REV.

ISSUANCE

DATE

DETAIL NAME:

**ELEVATION SEGMENT  
HORIZONTAL APPLICATION**

DWG. BY: ACE

CHK. BY: ACE

PG. NO: 2 OF 28

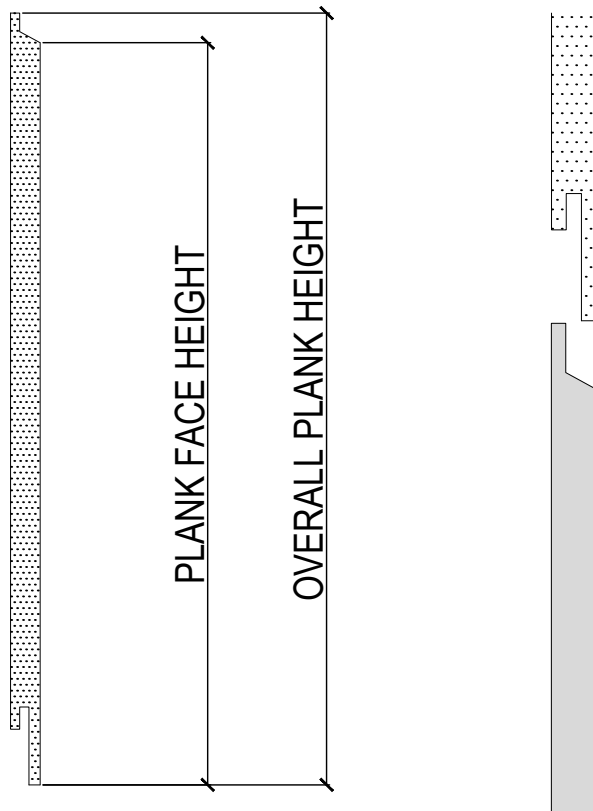
## 8MM MATERIAL EASY MEG PLANKS

<u>PANEL HEIGHT:</u>	<u>PLANK FACE HEIGHT:</u>	<u>OVERALL PLANK HEIGHT:</u>	<u>MAX LENGTH:</u>
8"	7-3/4"	8-3/16"	120"
12"	11-3/4"	12-3/16"	120"
16"	15-3/4"	16-3/16"	120"
24"	23-3/4"	24-3/16"	120"

## 8MM MATERIAL EASY MEG QSP COLLECTION

<u>PANEL HEIGHT:</u>	<u>PLANK FACE HEIGHT:</u>	<u>OVERALL PLANK HEIGHT:</u>	<u>MAX LENGTH:</u>
8"	7-3/16"	7-5/8"	96"
12"	11-3/16"	11-5/8"	96"
16"	15-15/16"	15-3/4"	96"
24"	23-15/16"	23-3/4"	96"

FOR ADDITIONAL SIZES, PLEASE CONTACT: [sales@abetlaminati.com](mailto:sales@abetlaminati.com)



**EASYMEG**

ABET LAMINATI



ANNOTATION CHANGES

08/16/2024



STANDARD DETAIL CREATION

06/15/2023

REV.

ISSUANCE

DATE

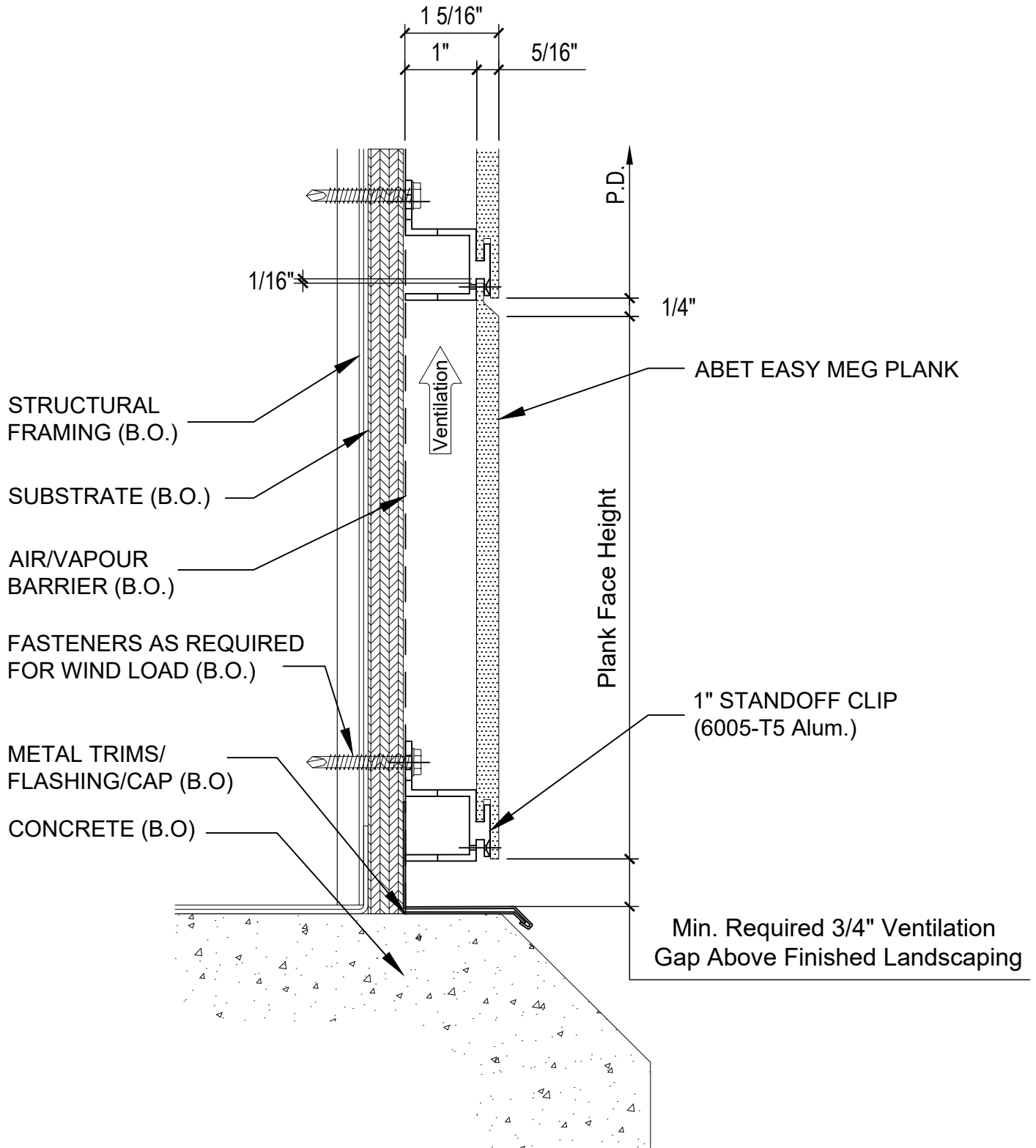
DETAIL NAME:

PANEL INFORMATION  
HORIZONTAL APPLICATION

DWG. BY: ACE

CHK. BY: ACE

PG. NO:2.1 OF 28



**EASYMEG**  
 ABET LAMINATI



ANNOTATION CHANGES

08/16/2024



STANDARD DETAIL CREATION

06/15/2023

REV.

ISSUANCE

DATE

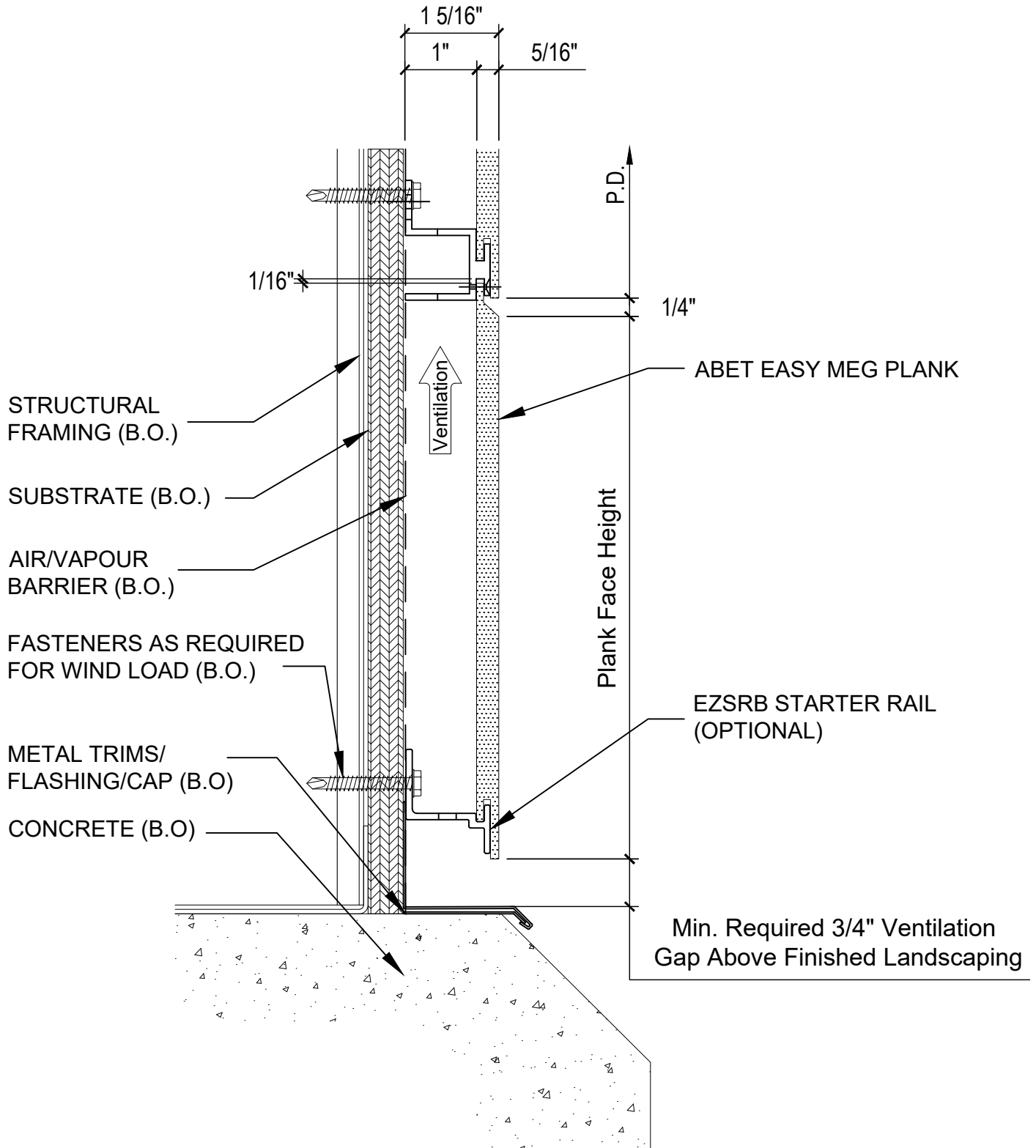
DETAIL NAME:

**BOTTOM TERMINATION  
 DETAIL (A)**

DWG. BY: ACE

CHK. BY: ACE

PG. NO: 3 OF 28



**EASYMEG**  
 ABET LAMINATI



ANNOTATION CHANGES

08/16/2024



STANDARD DETAIL CREATION

06/15/2023

REV.

ISSUANCE

DATE

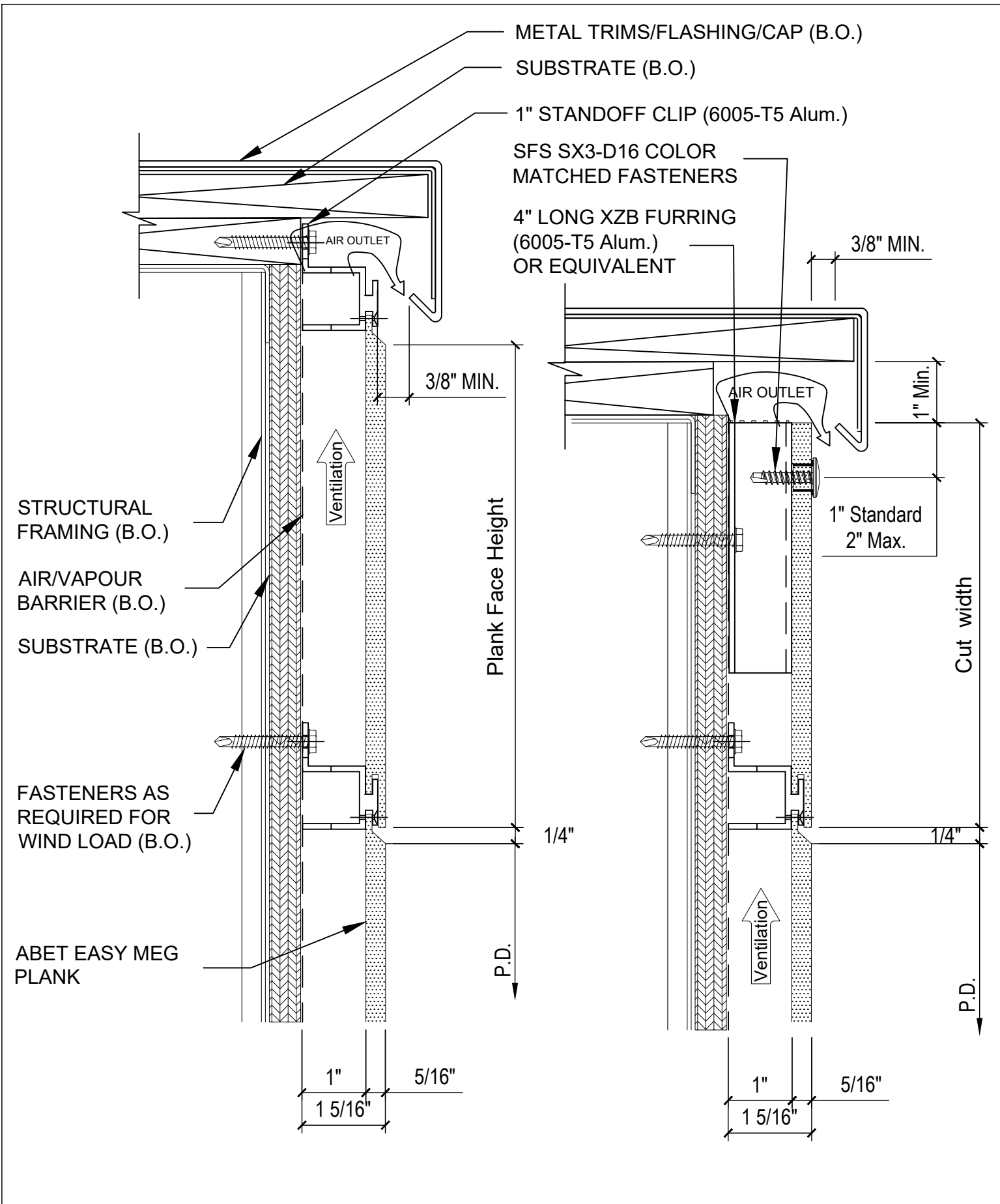
DETAIL NAME:

**BOTTOM TERMINATION  
 DETAIL (A.1)**

DWG. BY: ACE

CHK. BY: ACE

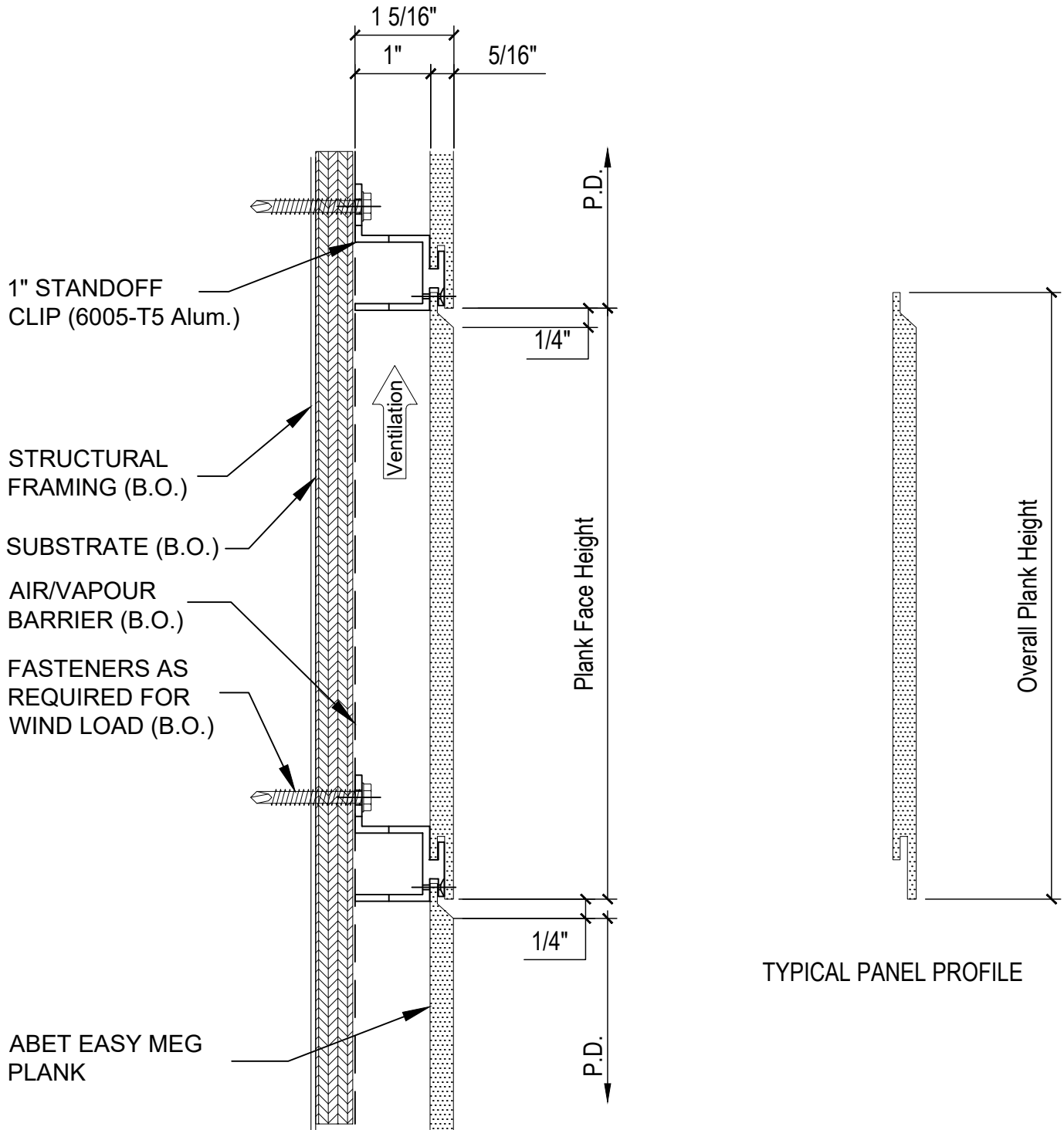
PG. NO:3.1 OF 28



**EASYMEG**  
 ABET LAMINATI

①	ANNOTATION CHANGES	08/16/2024
②	STANDARD DETAIL CREATION	06/15/2023
REV.	ISSUANCE	DATE

DETAIL NAME:		
<b>TOP TERMINATION DETAIL (B)</b>		
DWG. BY: ACE	CHK. BY: ACE	PG. NO: 4 OF 28



**EASYMEG**  
 ABET LAMINATI



ANNOTATION CHANGES

08/16/2024



STANDARD DETAIL CREATION

06/15/2023

REV.

ISSUANCE

DATE

DETAIL NAME:

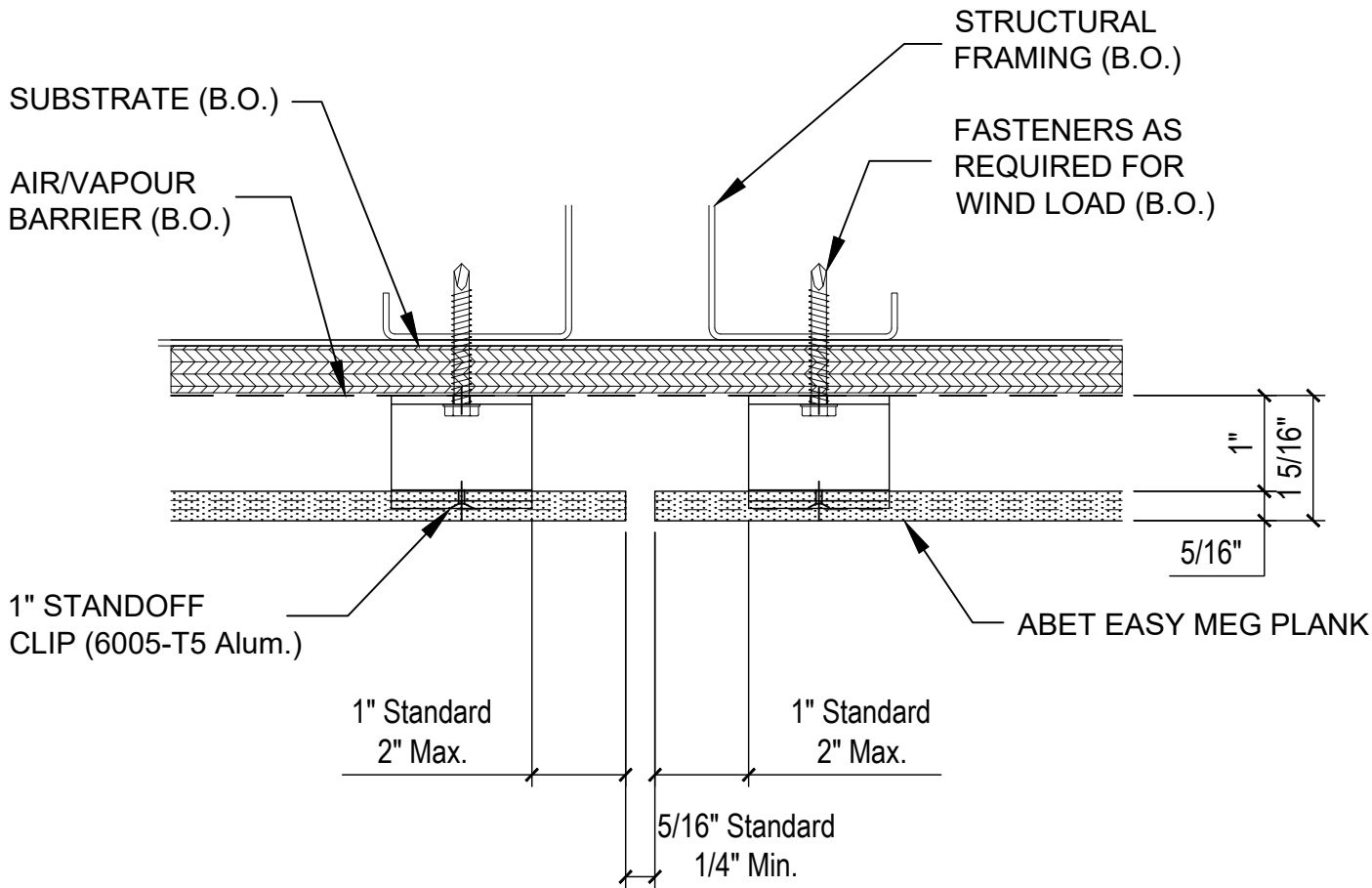
TYPICAL HORIZONTAL  
 JOINT DETAIL (C)

DWG. BY: ACE

CHK. BY: ACE

PG. NO: 5 OF 28





**EASYMEG**  
 ABET LAMINATI



ANNOTATION CHANGES

08/16/2024



STANDARD DETAIL CREATION

06/15/2023

REV.

ISSUANCE

DATE

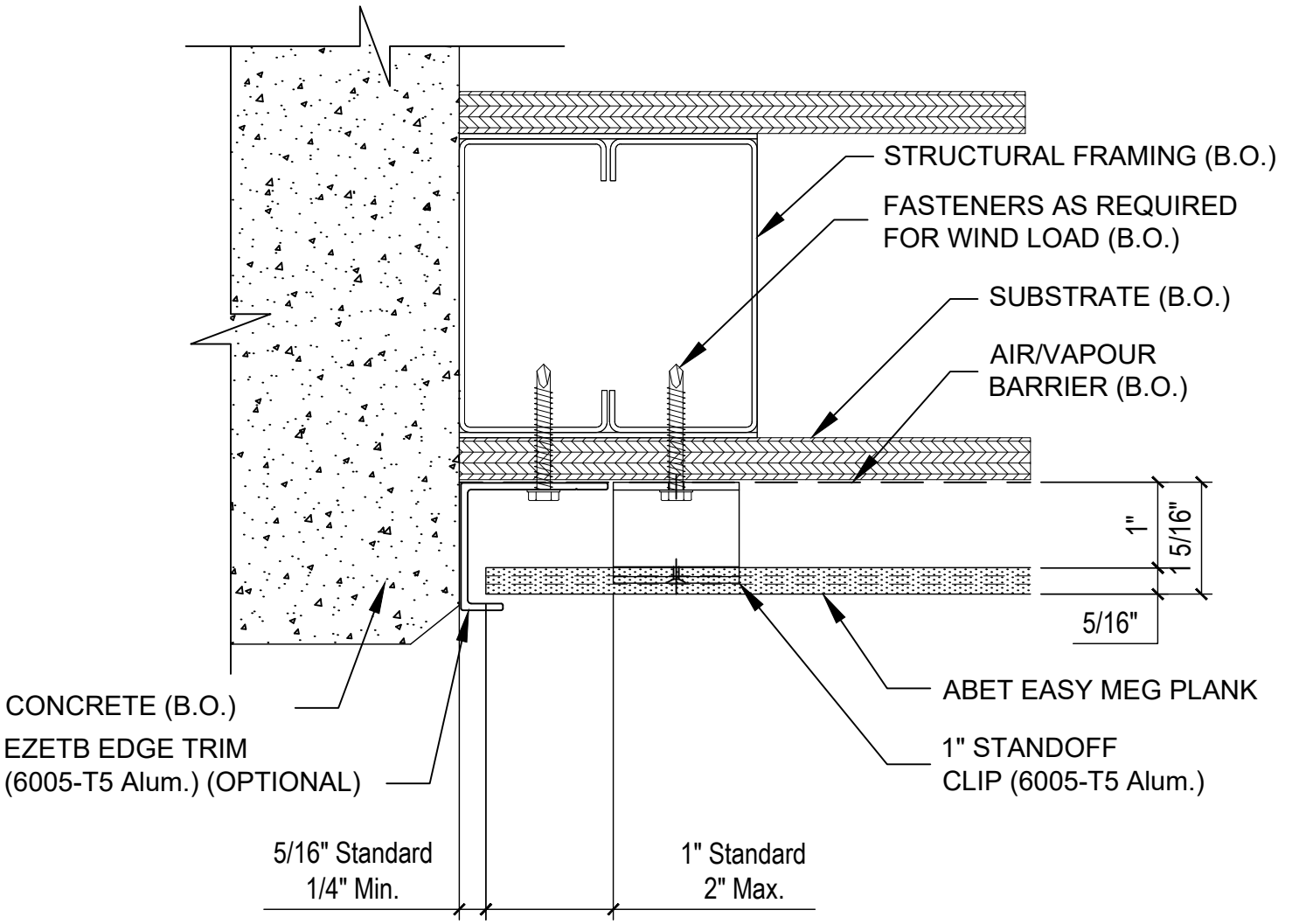
DETAIL NAME:

**TYPICAL VERTICAL  
 JOINT DETAIL (D)**

DWG. BY: ACE

CHK. BY: ACE

PG. NO: 6 OF 28



**EASYMEG**  
ABET LAMINATI



ANNOTATION CHANGES

08/16/2024



STANDARD DETAIL CREATION

06/15/2023

REV.

ISSUANCE

DATE

DETAIL NAME:

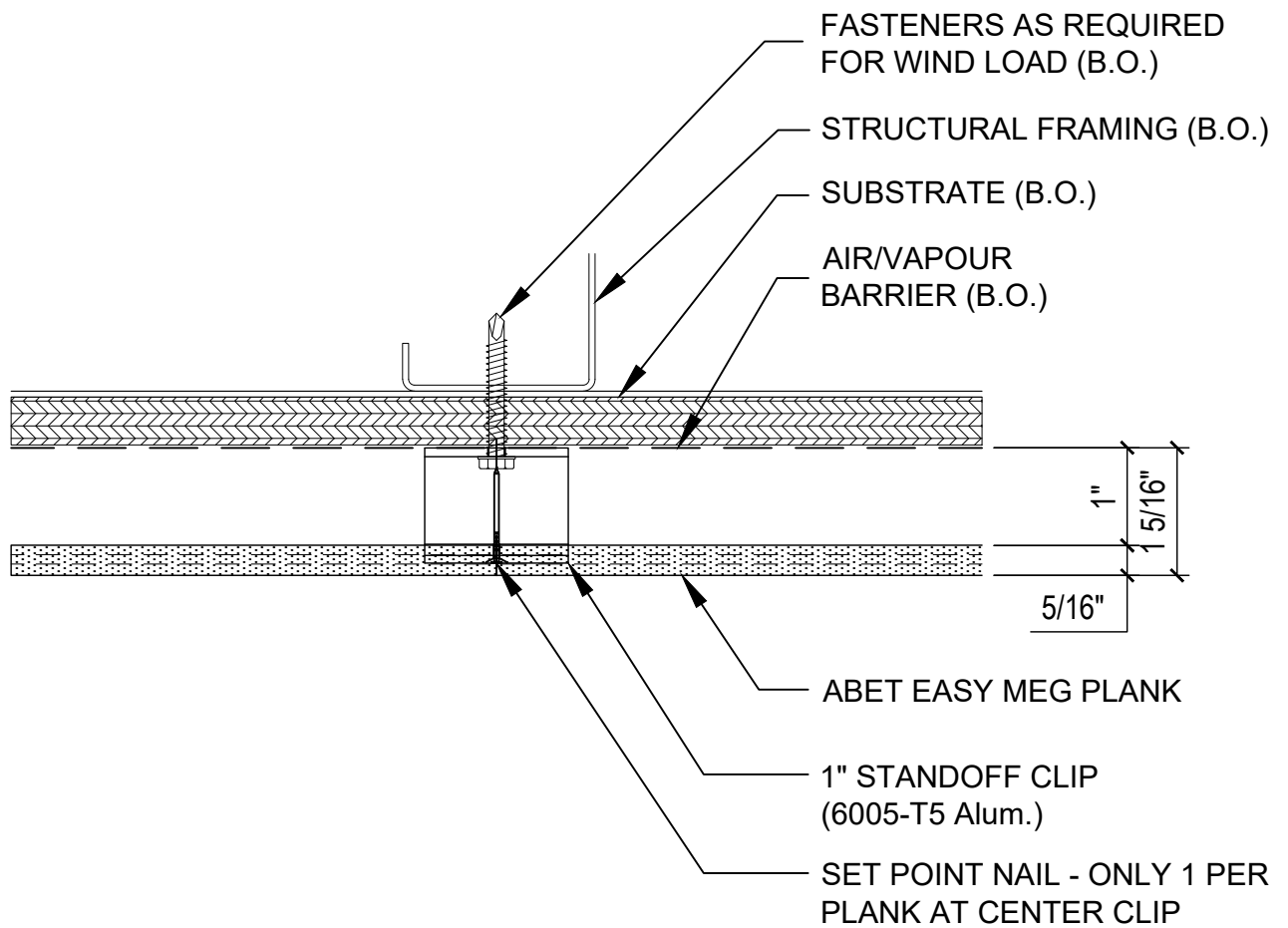
**VERTICAL TERMINATION  
DETAIL (E)**

DWG. BY: ACE

CHK. BY: ACE

PG. NO: 7 OF 28

SET POINT NAIL IS USED AT THE CENTERMOST CLIP ON THE PLANK  
 ONLY 1 SET POINT NAIL IS TO BE USED PER PLANK



**EASYMEG**  
 ABET LAMINATI



ANNOTATION CHANGES

08/16/2024



STANDARD DETAIL CREATION

06/15/2023

REV.

ISSUANCE

DATE

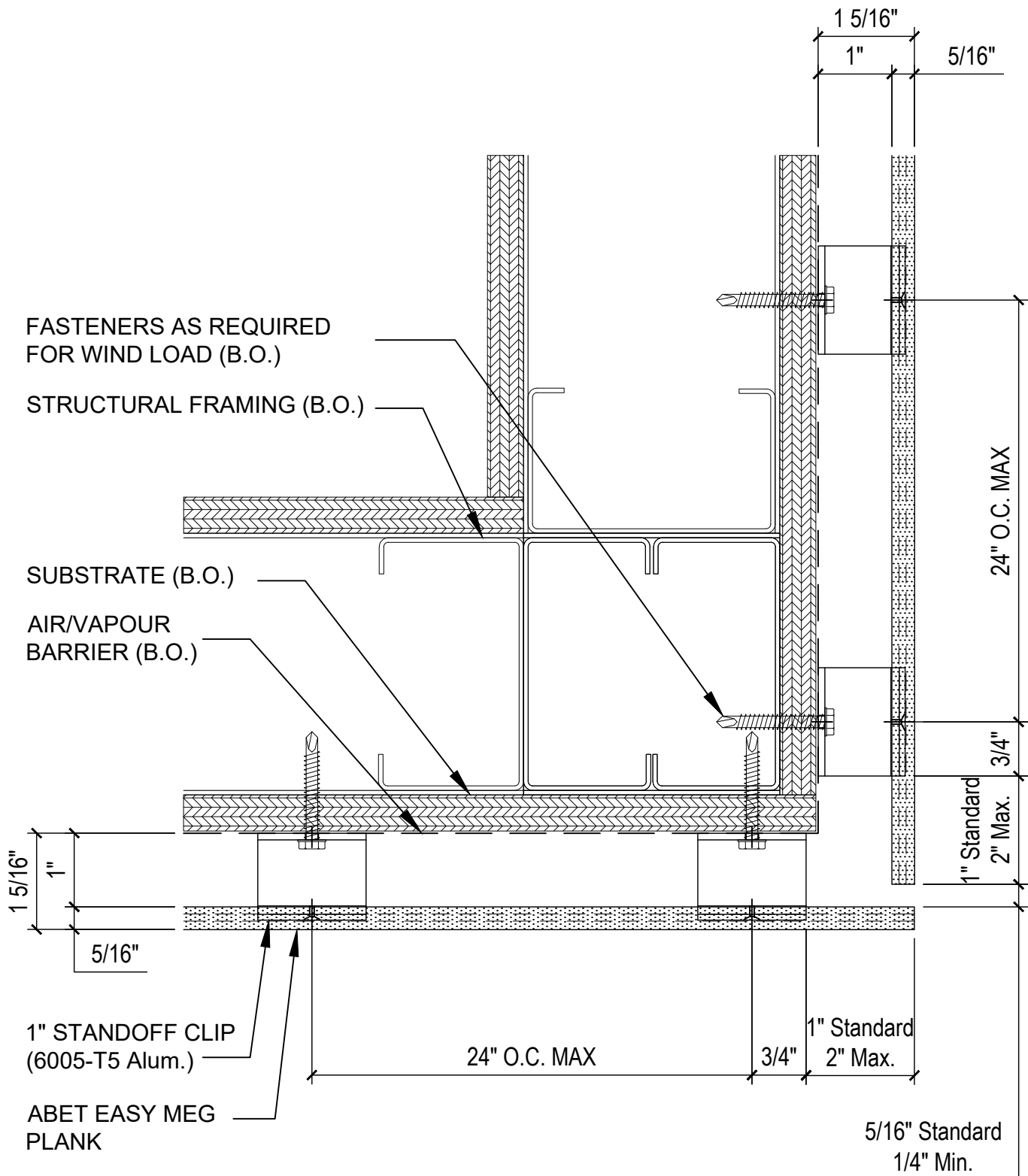
DETAIL NAME:

PLAN MIDDLE SUPPORT  
 DETAIL (F)

DWG. BY: ACE

CHK. BY: ACE

PG. NO: 8 OF 28



**EASYMEG**  
 ABET LAMINATI



ANNOTATION CHANGES

08/16/2024



STANDARD DETAIL CREATION

06/15/2023

REV.

ISSUANCE

DATE

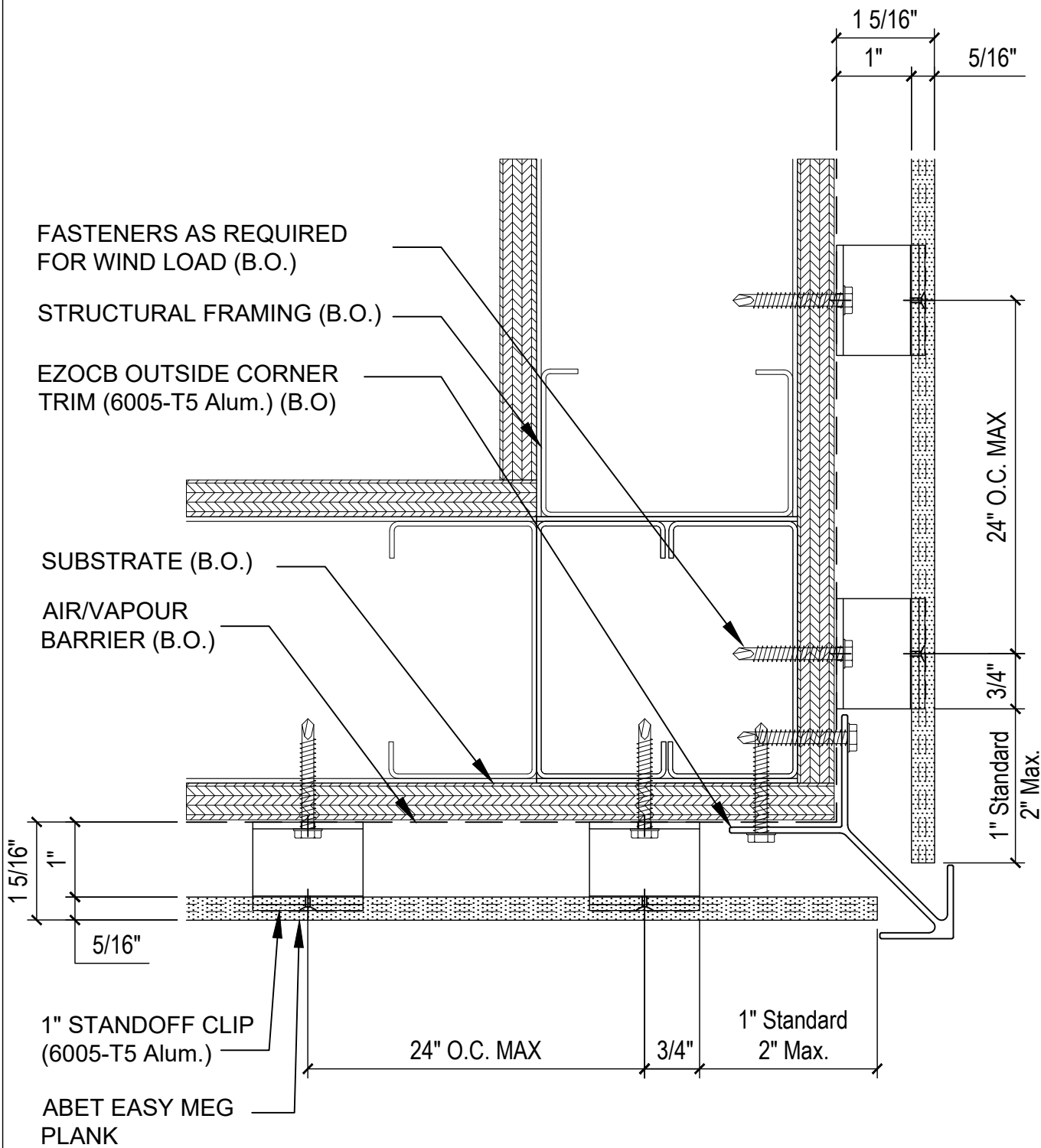
DETAIL NAME:

VERTICAL OUTSIDE  
 CORNER DETAIL (G1)

DWG. BY: ACE

CHK. BY: ACE

PG. NO: 9 OF 28



**EASYMEG**  
 ABET LAMINATI



ANNOTATION CHANGES

08/16/2024



STANDARD DETAIL CREATION

06/15/2023

REV.

ISSUANCE

DATE

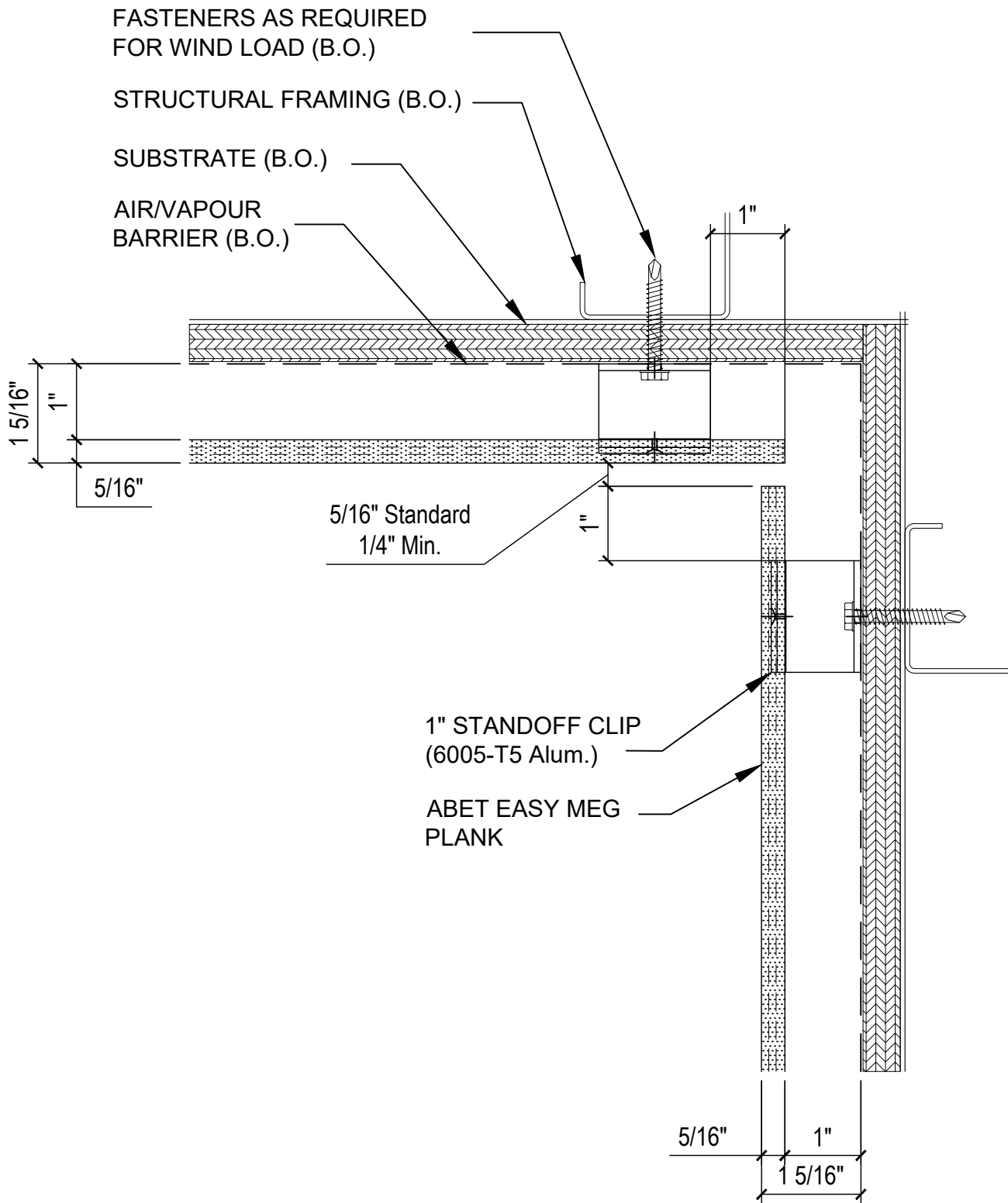
DETAIL NAME:

**VERTICAL OUTSIDE  
 CORNER DETAIL (G2)**

DWG. BY: ACE

CHK. BY: ACE

PG. NO: 10 OF 28



**EASYMEG**  
 ABET LAMINATI



ANNOTATION CHANGES

08/16/2024



STANDARD DETAIL CREATION

06/15/2023

REV.

ISSUANCE

DATE

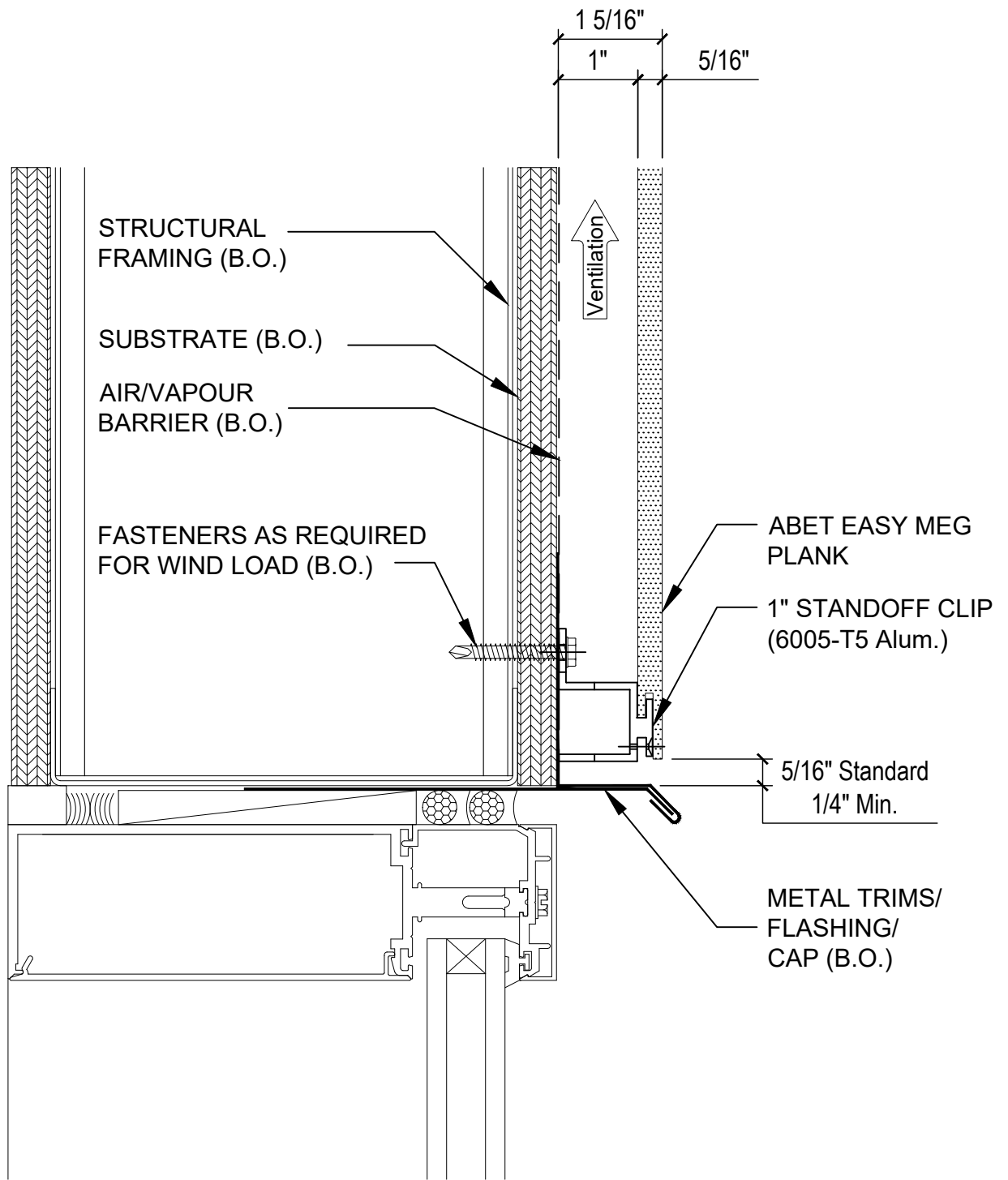
DETAIL NAME:

**VERTICAL INSIDE  
 CORNER DETAIL (H)**

DWG. BY: ACE

CHK. BY: ACE

PG. NO: 11 OF 28



**EASYMEG**  
 ABET LAMINATI



ANNOTATION CHANGES

08/16/2024



STANDARD DETAIL CREATION

06/15/2023

REV.

ISSUANCE

DATE

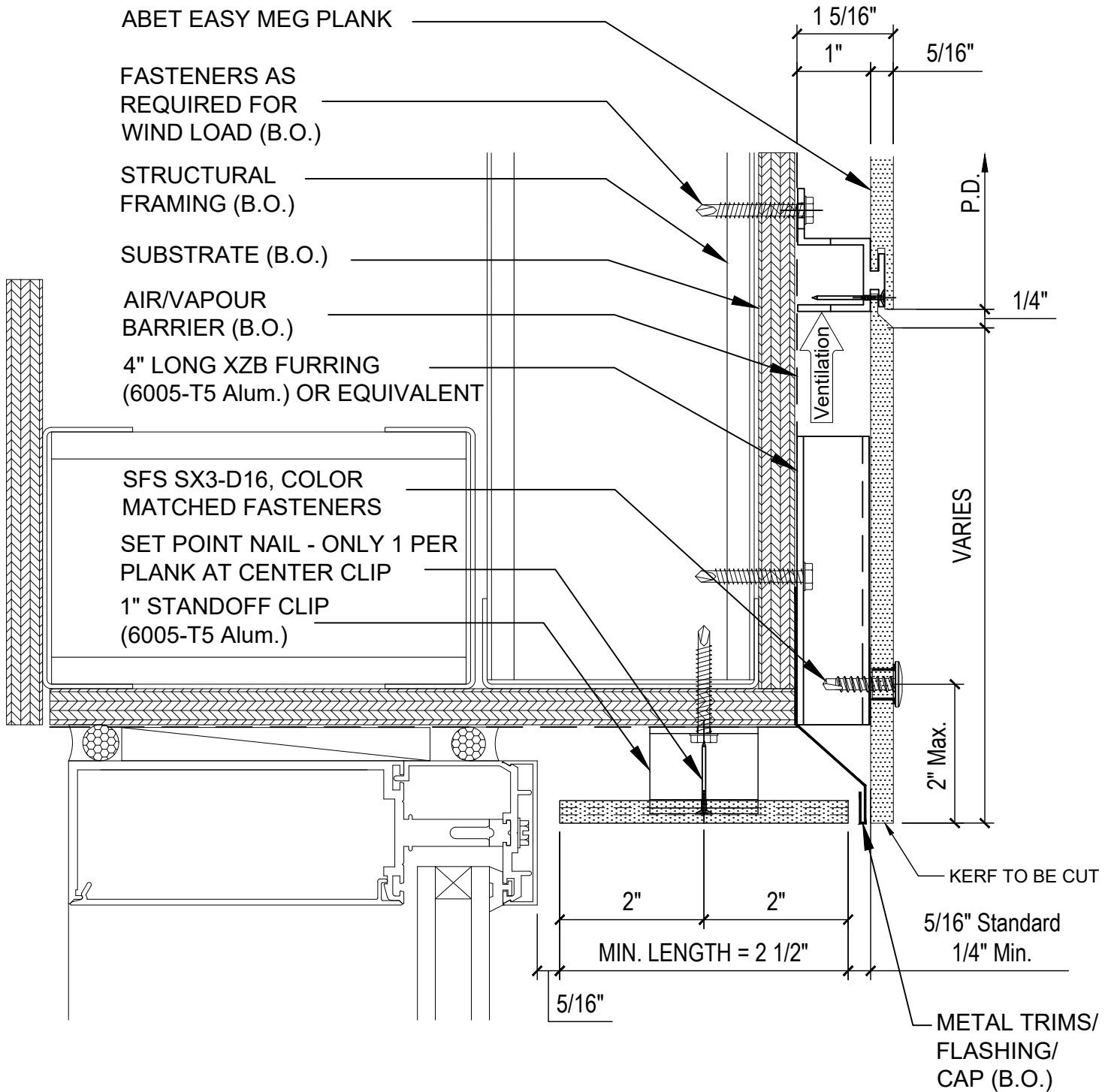
DETAIL NAME:

WINDOW HEAD  
 DETAIL (J1)

DWG. BY: ACE

CHK. BY: ACE

PG. NO: 12 OF 28



**EASYMEG**  
 ABET LAMINATI



ANNOTATION CHANGES

08/16/2024



STANDARD DETAIL CREATION

06/15/2023

REV.

ISSUANCE

DATE

DETAIL NAME:

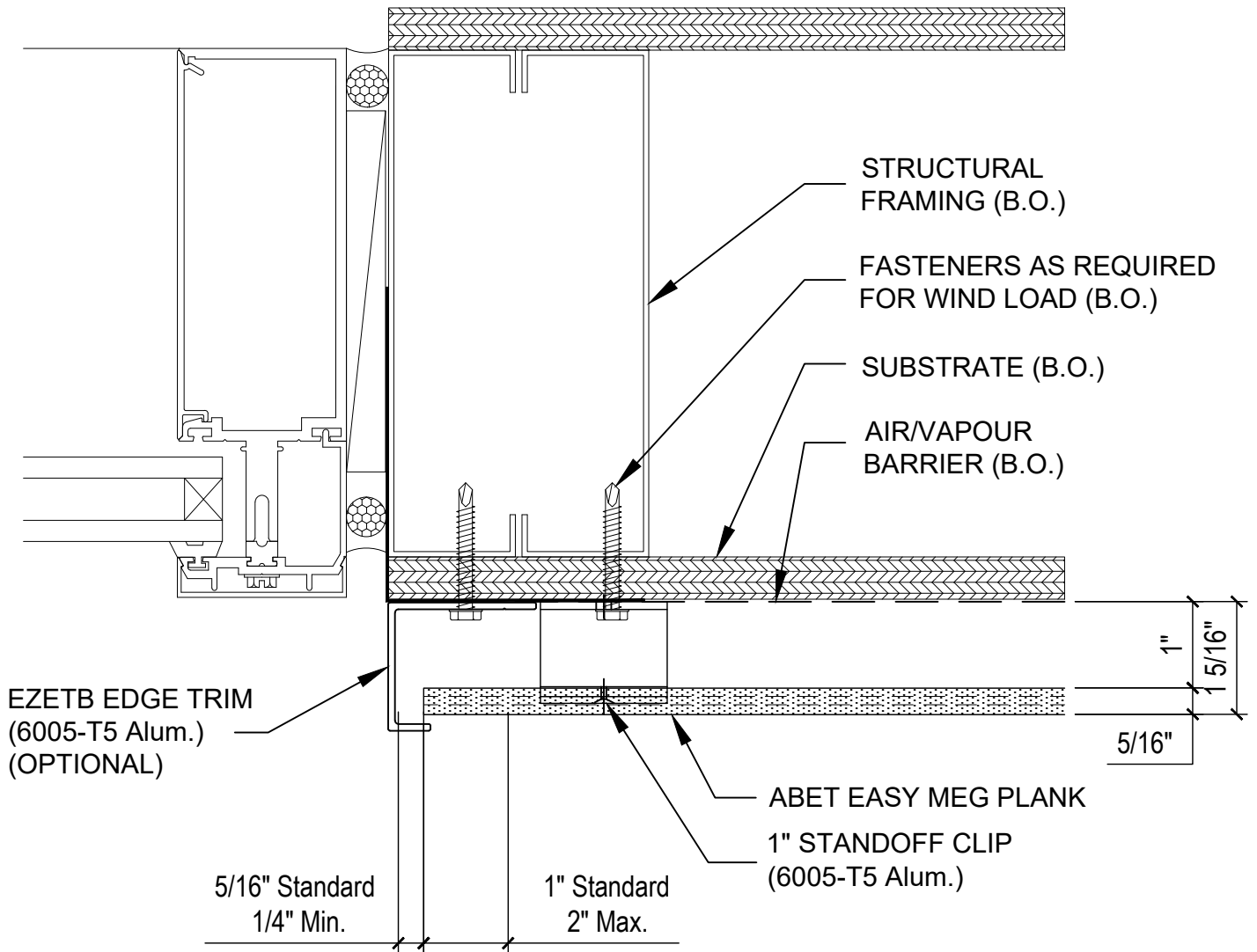
WINDOW HEAD  
 DETAIL (J2)

DWG. BY: ACE

CHK. BY: ACE

PG. NO: 13 OF 28





**EASYMEG**  
ABET LAMINATI



ANNOTATION CHANGES

08/16/2024



STANDARD DETAIL CREATION

06/15/2023

REV.

ISSUANCE

DATE

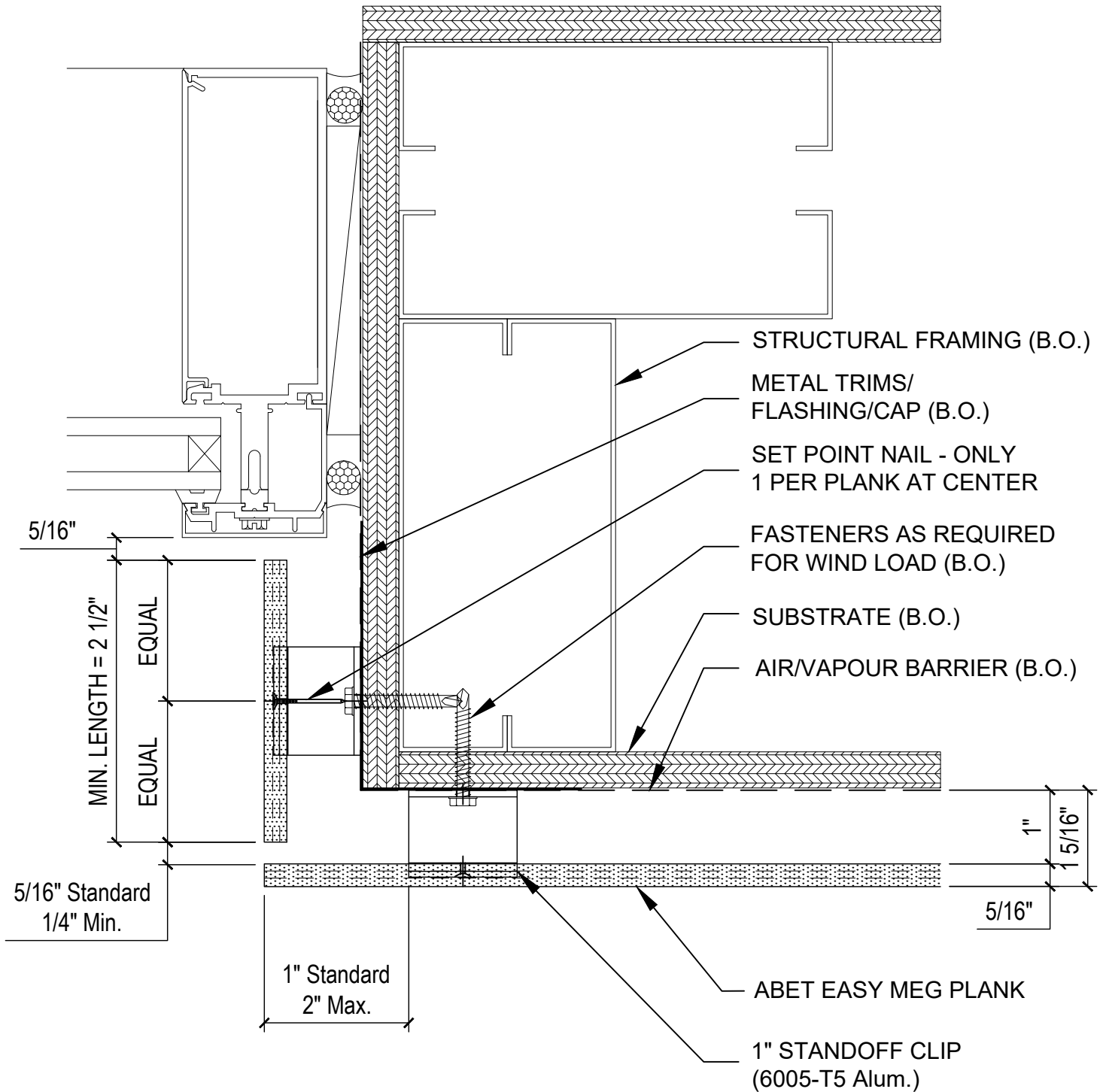
DETAIL NAME:

WINDOW JAMB  
DETAIL (K1)

DWG. BY: ACE

CHK. BY: ACE

PG. NO: 14 OF 28



**EASYMEG**  
ABET LAMINATI



ANNOTATION CHANGES

08/16/2024



STANDARD DETAIL CREATION

06/15/2023

REV.

ISSUANCE

DATE

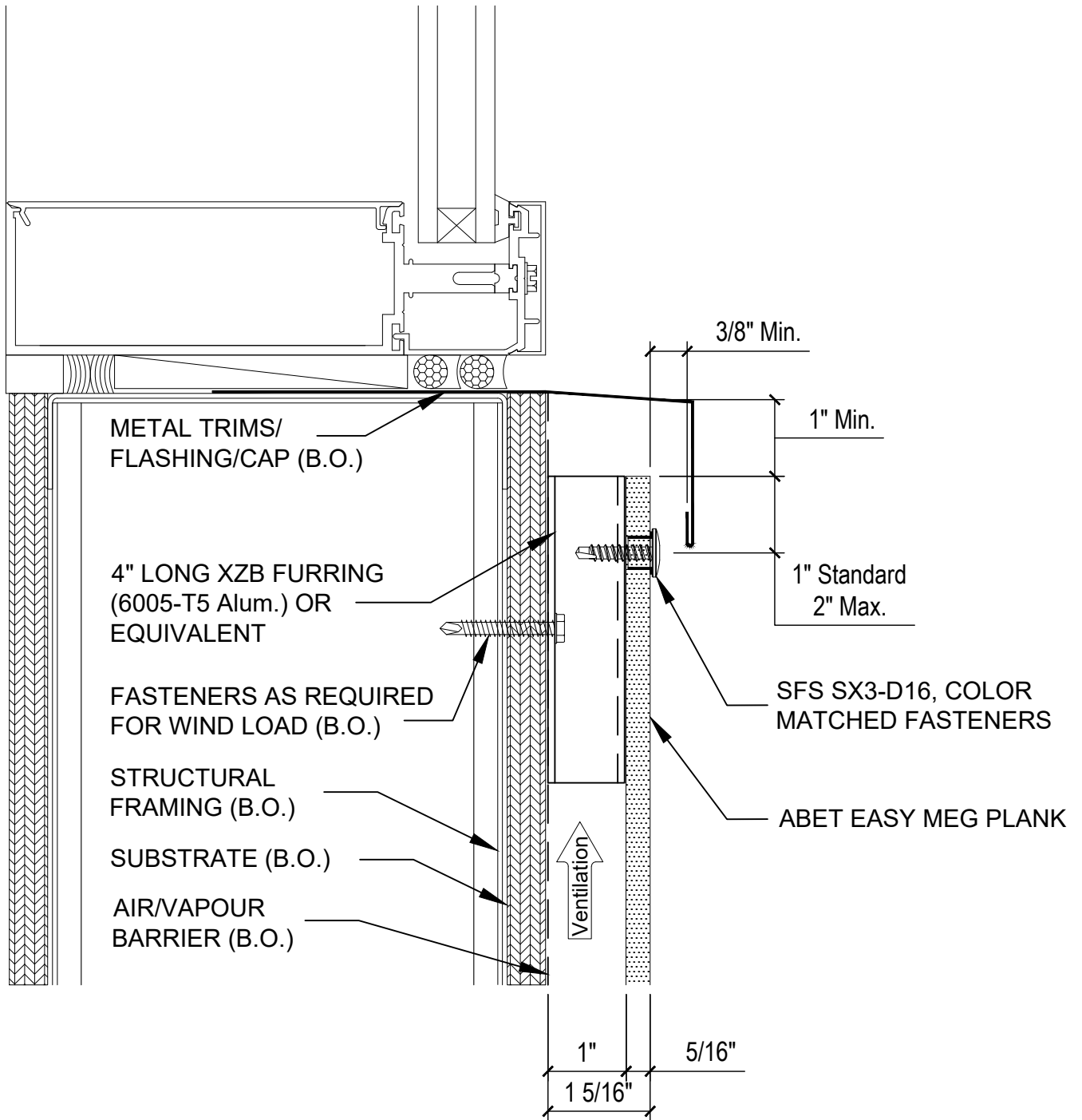
DETAIL NAME:

WINDOW JAMB  
DETAIL (K2)

DWG. BY: ACE

CHK. BY: ACE

PG. NO: 15 OF 28



**EASYMEG**

ABET LAMINATI



ANNOTATION CHANGES

08/16/2024



STANDARD DETAIL CREATION

06/15/2023

REV.

ISSUANCE

DATE

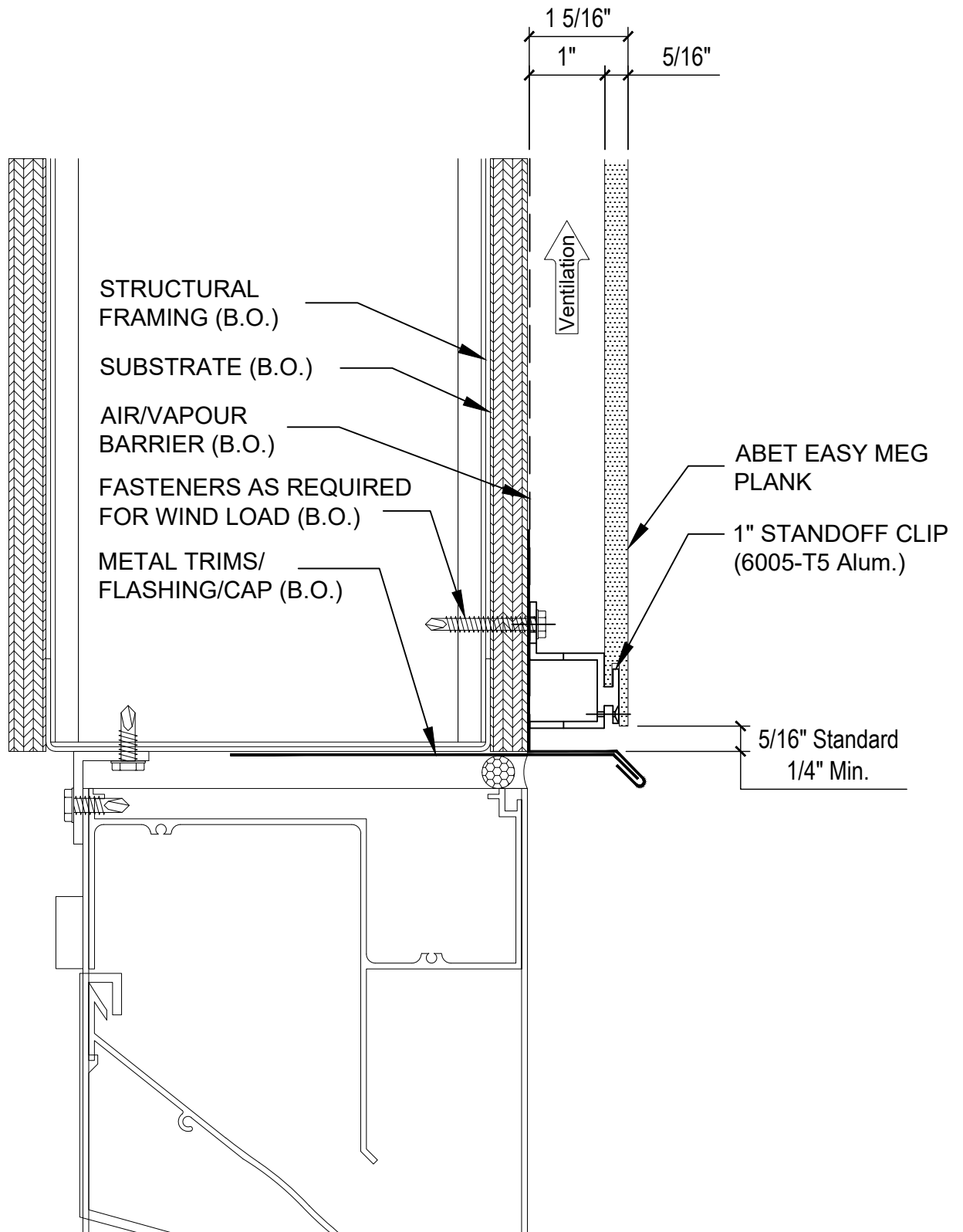
DETAIL NAME:

WINDOW SILL  
DETAIL (L)

DWG. BY: ACE

CHK. BY: ACE

PG. NO: 16 OF 28



**EASYMEG**  
 ABET LAMINATI



ANNOTATION CHANGES

08/16/2024



STANDARD DETAIL CREATION

06/15/2023

REV.

ISSUANCE

DATE

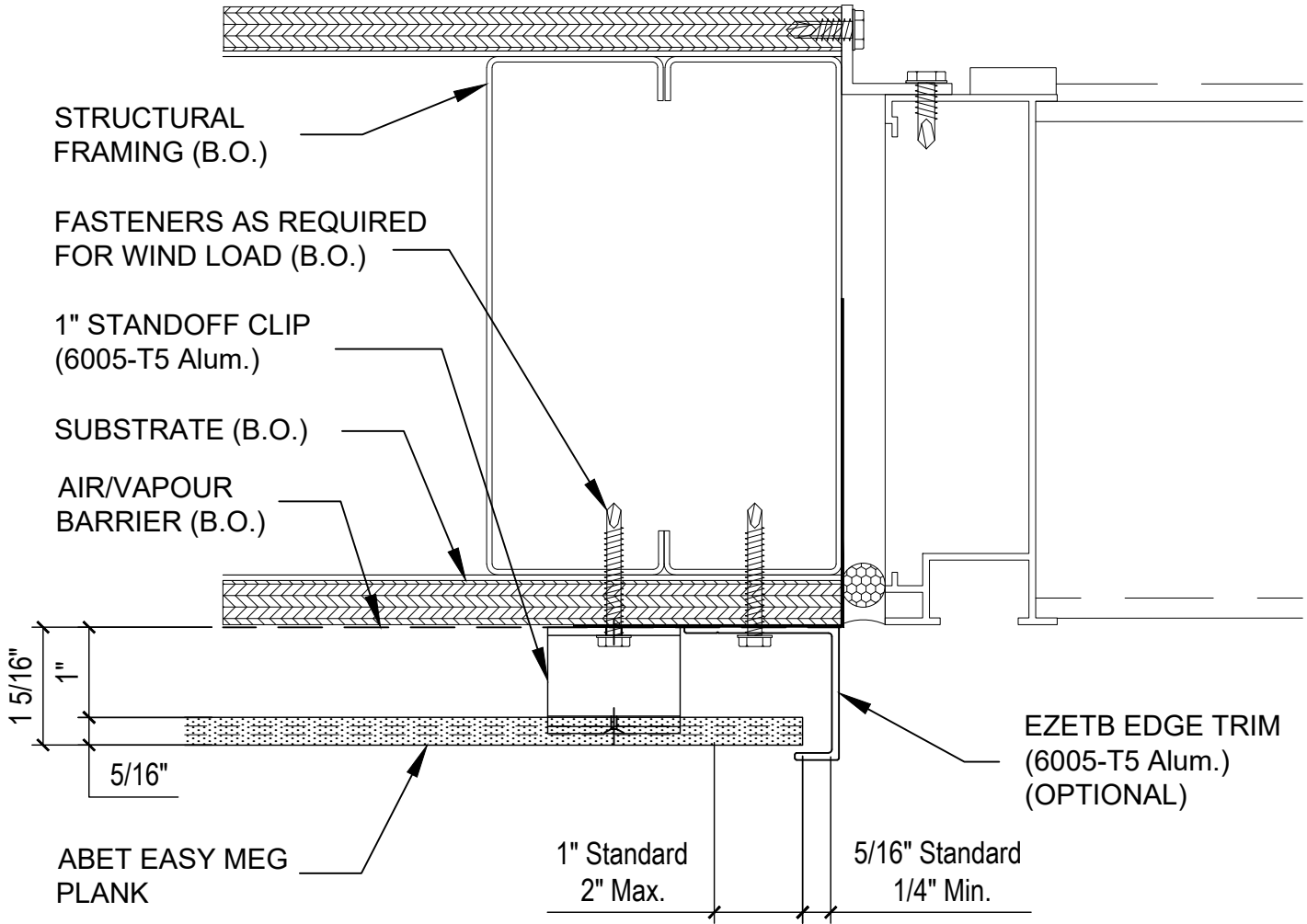
DETAIL NAME:

**LOUVER HEAD  
 DETAIL (M)**

DWG. BY: ACE

CHK. BY: ACE

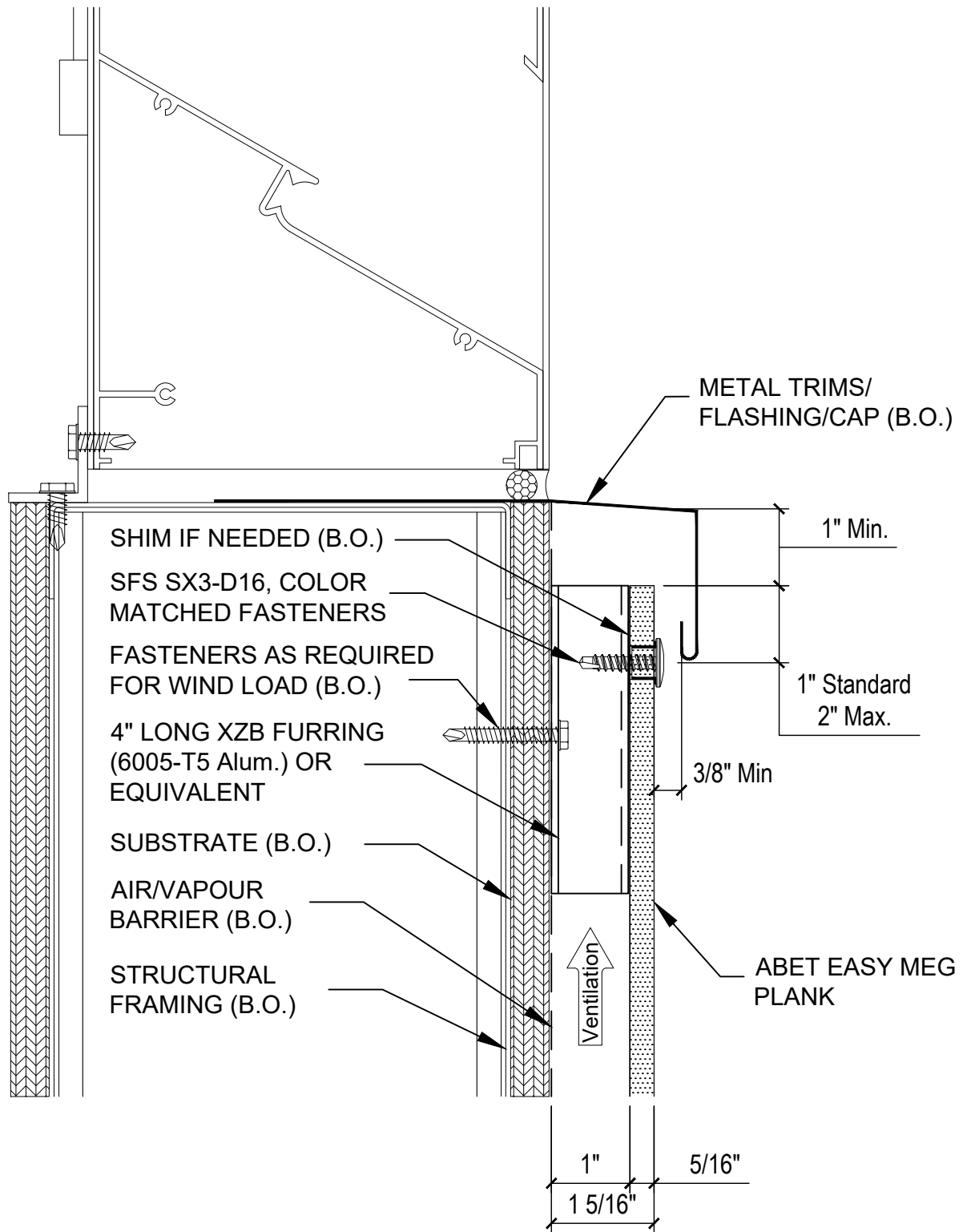
PG. NO: 17 OF 28



**EASYMEG**  
ABET LAMINATI

1	ANNOTATION CHANGES	08/16/2024
0	STANDARD DETAIL CREATION	06/15/2023
REV.	ISSUANCE	DATE

DETAIL NAME:		
<b>LOUVER JAMB DETAIL (N)</b>		
DWG. BY: ACE	CHK. BY: ACE	PG. NO: 18 OF 28



**EASYMEG**

ABET LAMINATI



ANNOTATION CHANGES

08/16/2024



STANDARD DETAIL CREATION

06/15/2023

REV.

ISSUANCE

DATE

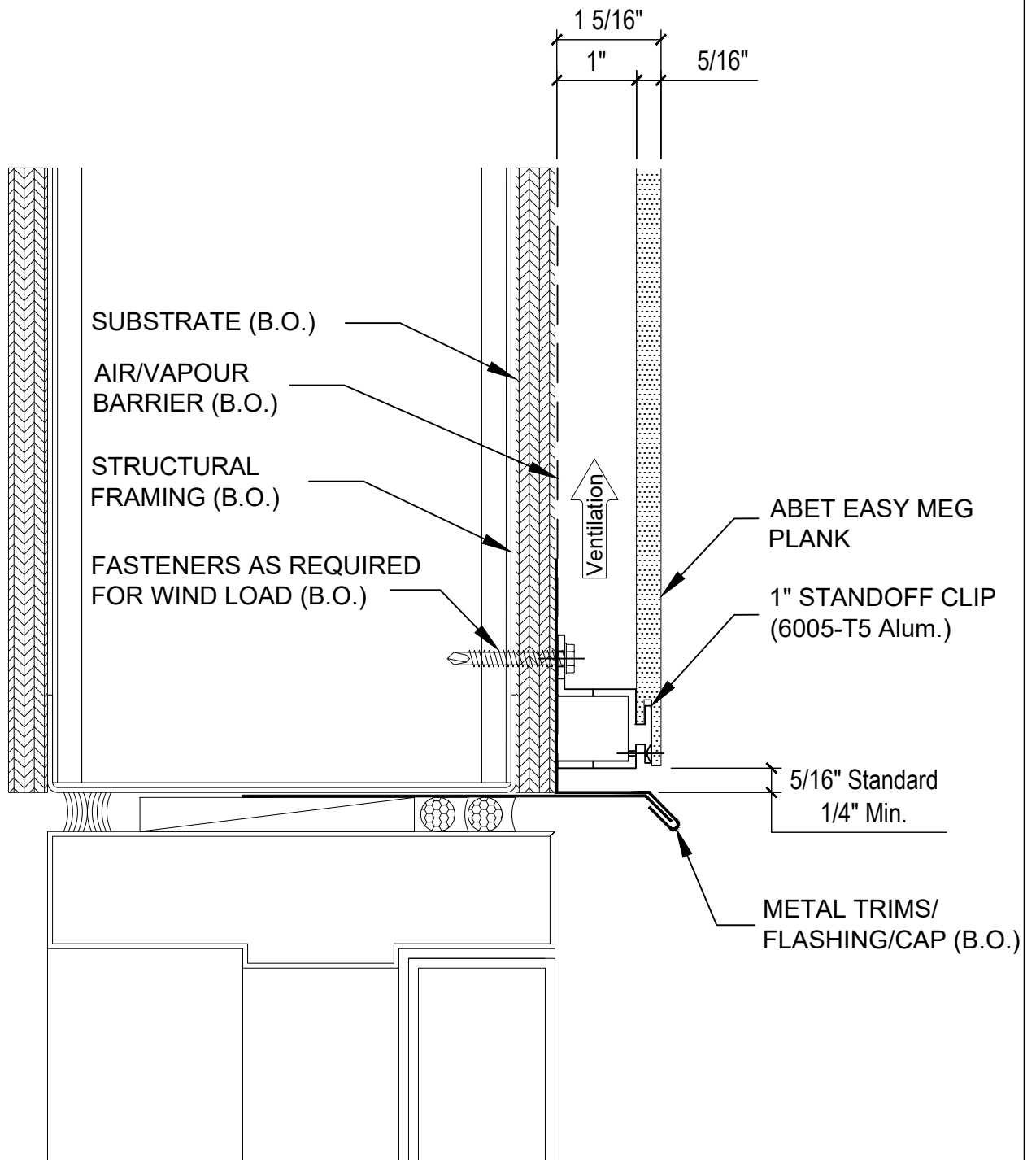
DETAIL NAME:

**LOUVER SILL  
DETAIL (P)**

DWG. BY: ACE

CHK. BY: ACE

PG. NO: 19 OF 28



**EASYMEG**  
 ABET LAMINATI

1

ANNOTATION CHANGES

08/16/2024

0

STANDARD DETAIL CREATION

06/15/2023

REV.

ISSUANCE

DATE

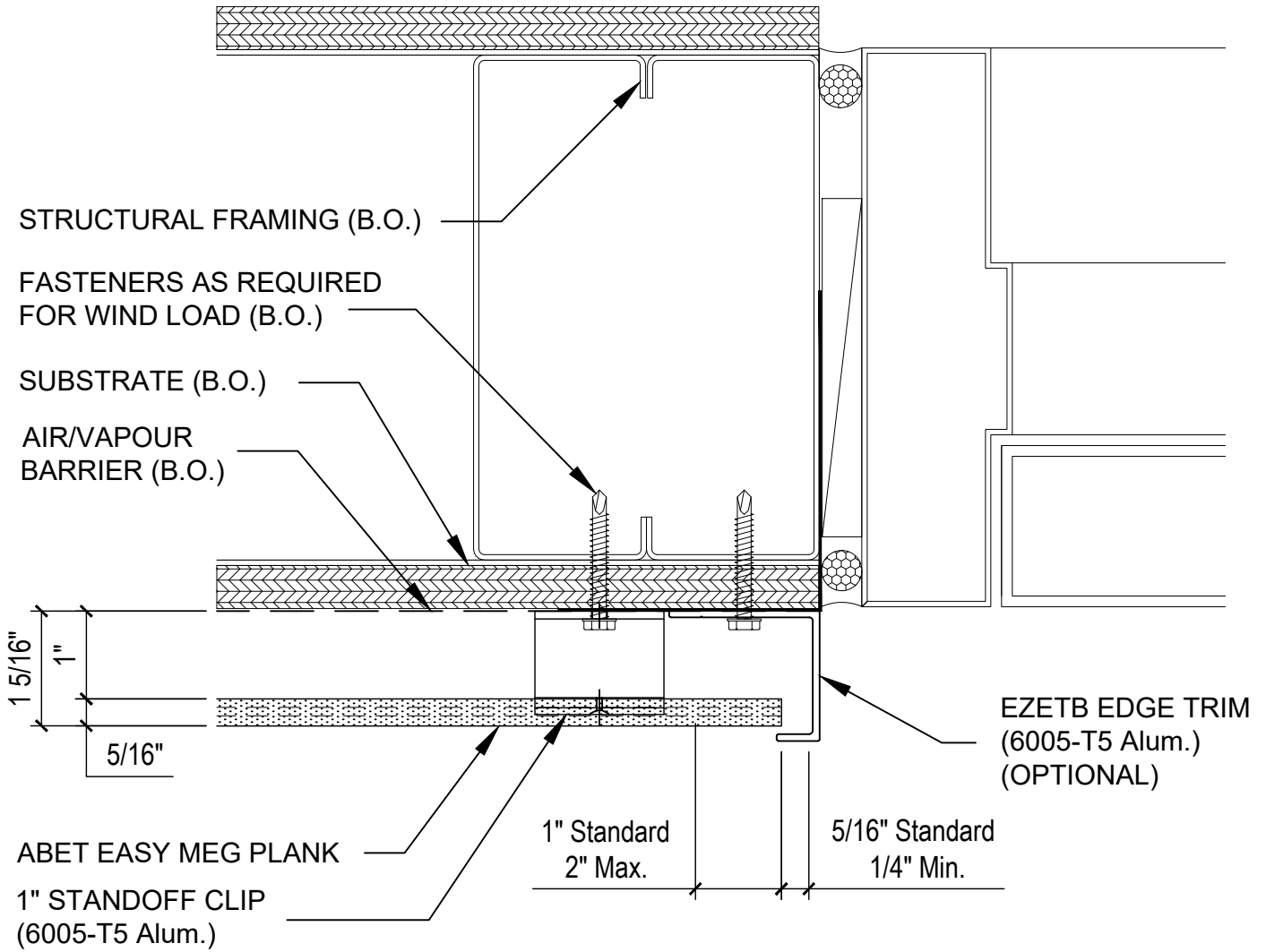
DETAIL NAME:

H.M. DOOR HEAD  
 DETAIL (Q)

DWG. BY: ACE

CHK. BY: ACE

PG. NO: 20 OF 28



**EASYMEG**  
ABET LAMINATI



ANNOTATION CHANGES

08/16/2024



STANDARD DETAIL CREATION

06/15/2023

REV.

ISSUANCE

DATE

DETAIL NAME:

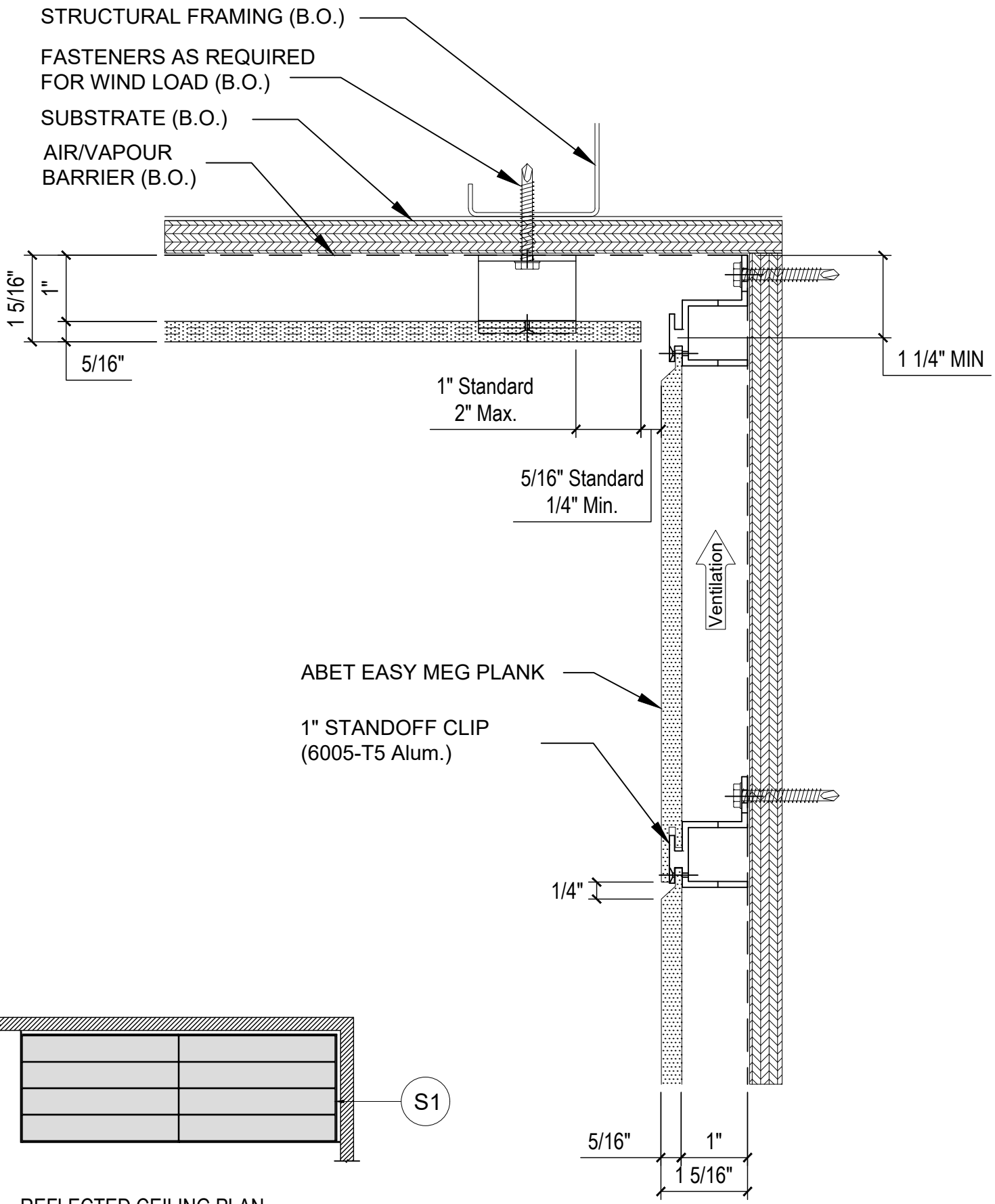
H.M. DOOR JAMB  
DETAIL (R)

DWG. BY: ACE

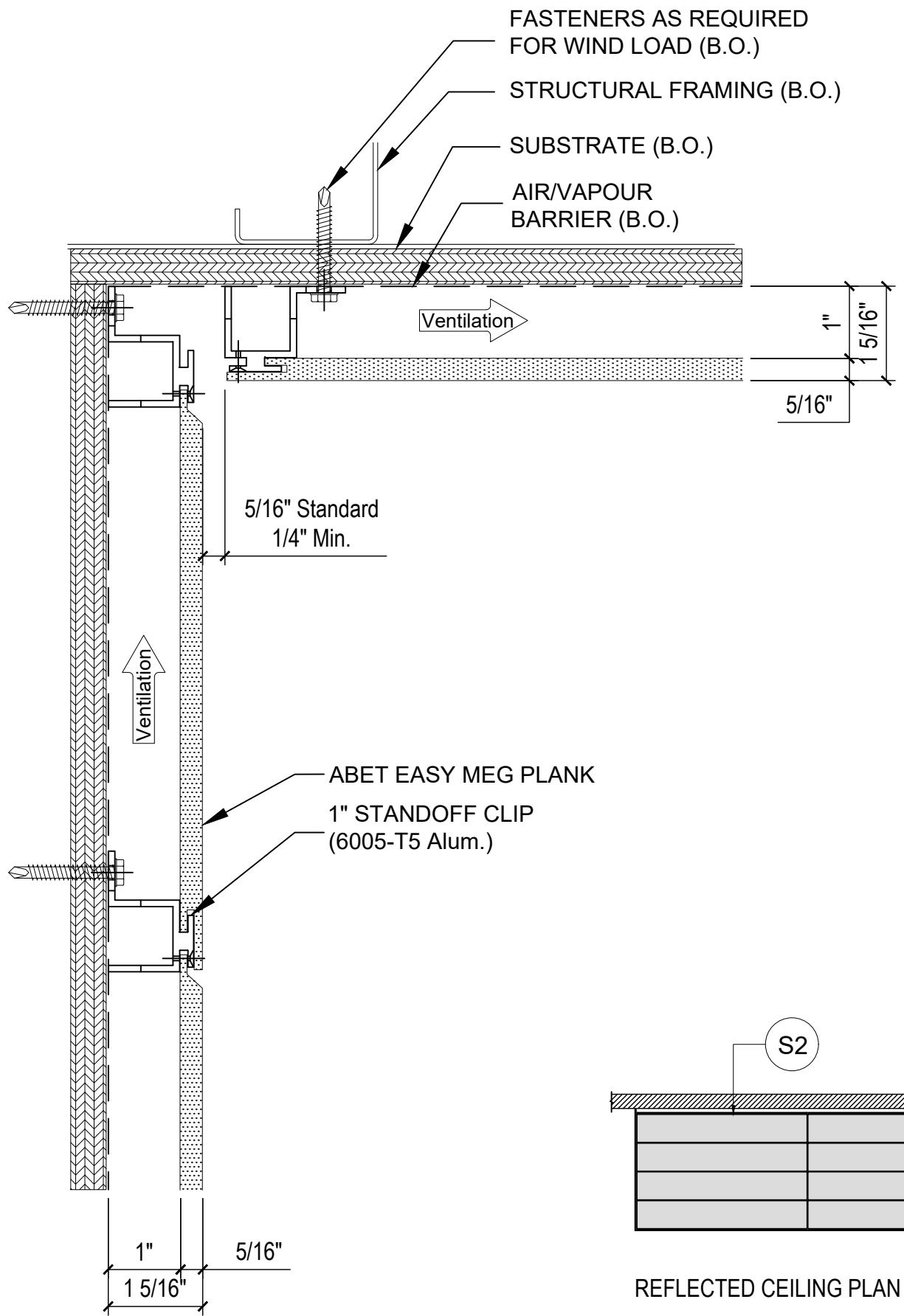
CHK. BY: ACE

PG. NO: 21 OF 28





<b>EASYMEG</b> ABET LAMINATI		ANNOTATION CHANGES	08/16/2024	DETAIL NAME: <b>PANEL SOFFIT TRANSITION          DETAIL (S1)</b>		
		STANDARD DETAIL CREATION	06/15/2023	DWG. BY: ACE	CHK. BY: ACE	PG. NO: 22 OF 28
	REV.	ISSUANCE	DATE	DWG. BY: ACE	CHK. BY: ACE	PG. NO: 22 OF 28



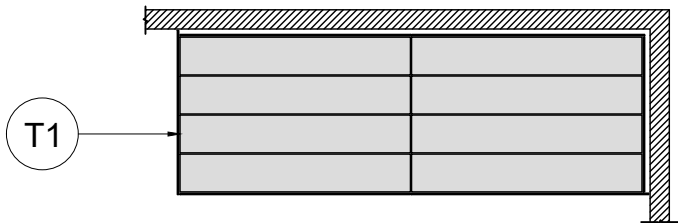
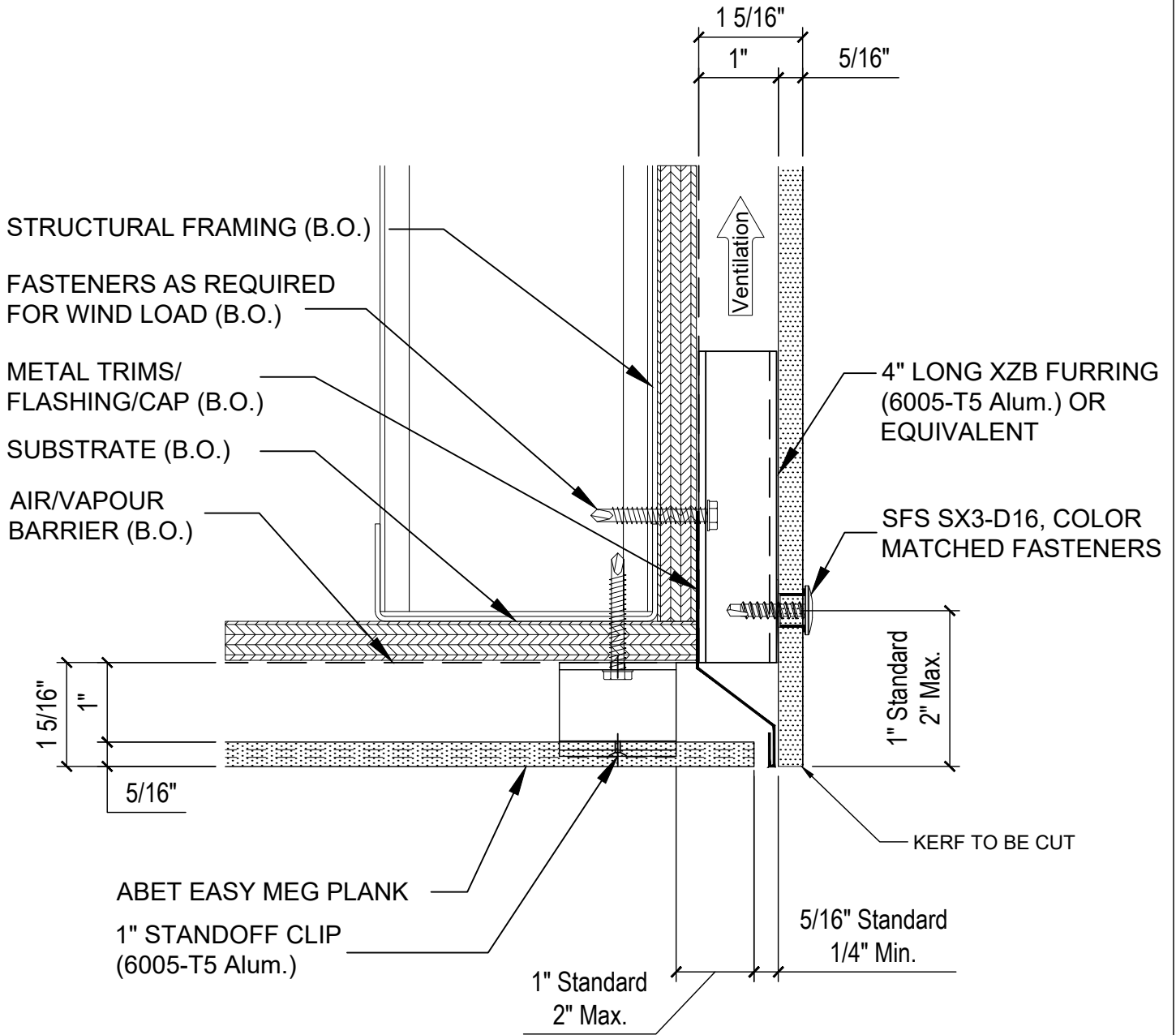
**EASYMEG**  
 ABET LAMINATI



△ A	ANNOTATION CHANGES
△ B	STANDARD DETAIL CREATION
REV.	ISSUANCE

08/16/2024
06/15/2023
DATE

DETAIL NAME:		
PANEL SOFFIT TRANSITION DETAIL (S2)		
DWG. BY: ACE	CHK. BY: ACE	PG. NO: 23 OF 28

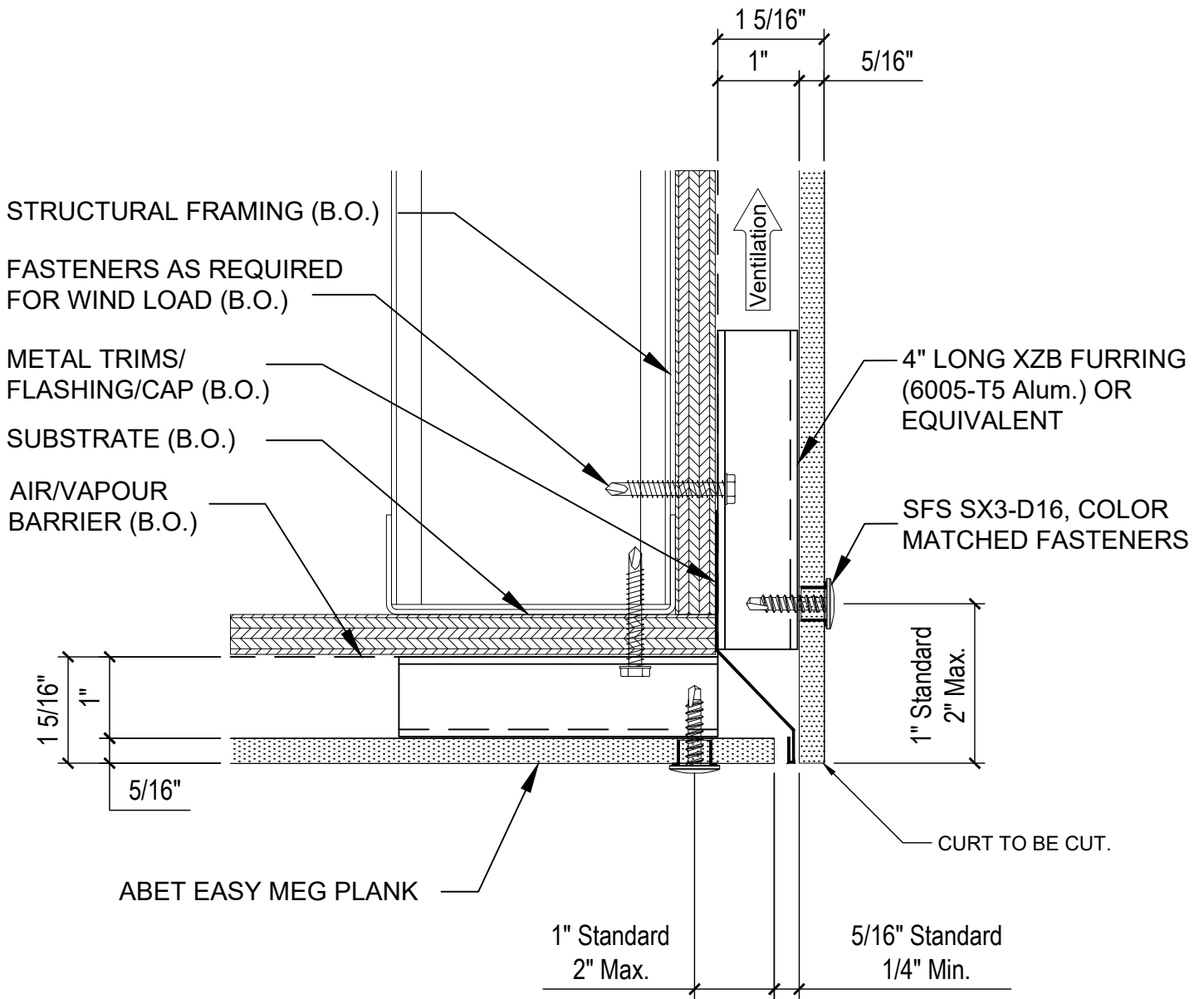


REFLECTED CEILING PLAN

**EASYMEG**  
 ABET LAMINATI

△	ANNOTATION CHANGES	08/16/2024
△	STANDARD DETAIL CREATION	06/15/2023
REV.	ISSUANCE	DATE

DETAIL NAME:		
PANEL SOFFIT TRANSITION DETAIL (T1)		
DWG. BY: ACE	CHK. BY: ACE	PG. NO: 24 OF 28



REFLECTED CEILING PLAN

**EASYMEG**  
ABET LAMINATI



ANNOTATION CHANGES

08/16/2024



STANDARD DETAIL CREATION

06/15/2023

REV.

ISSUANCE

DATE

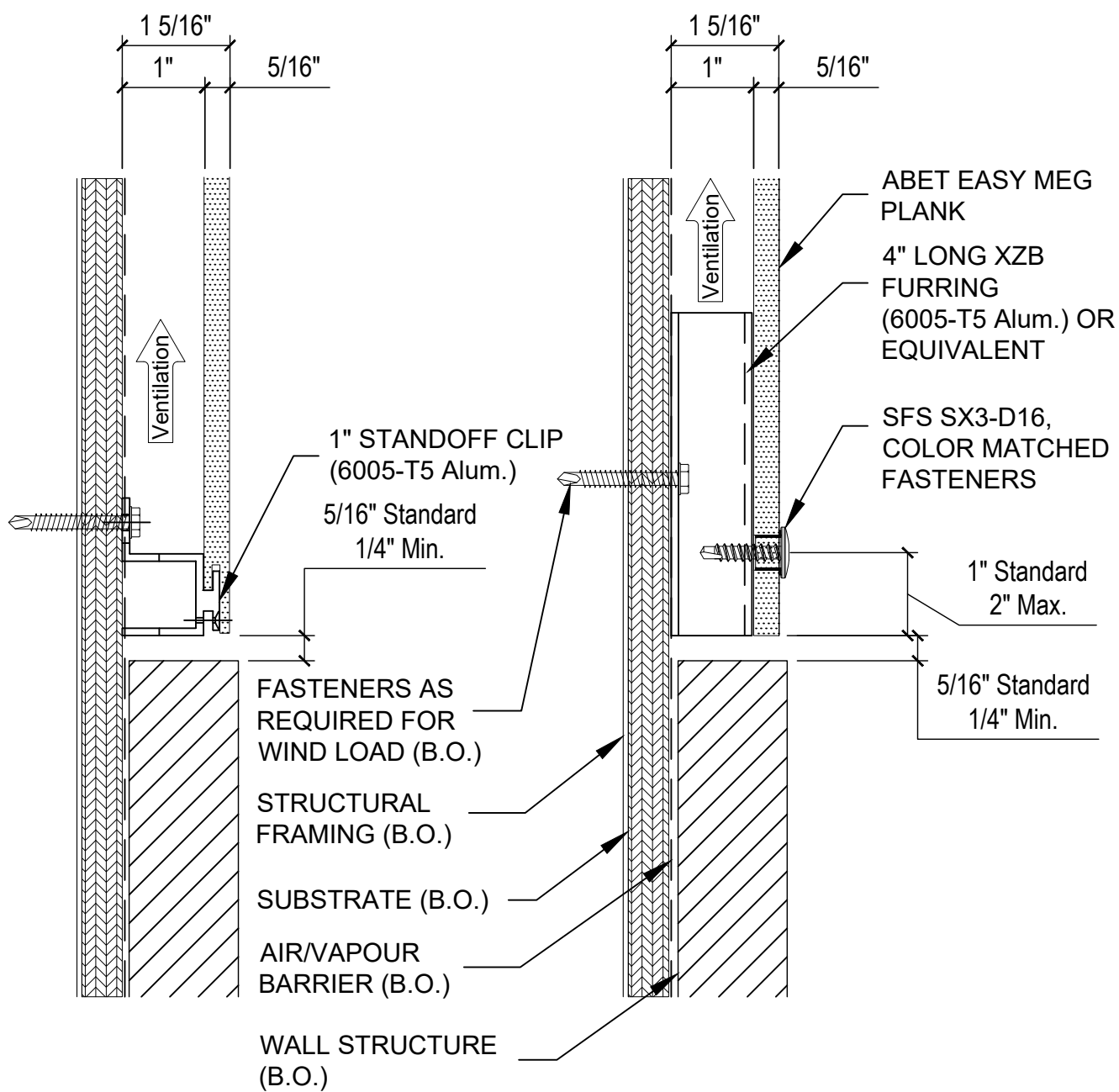
DETAIL NAME:

PANEL SOFFIT TRANSITION  
DETAIL (T2)

DWG. BY: ACE

CHK. BY: ACE

PG. NO: 25 OF 28

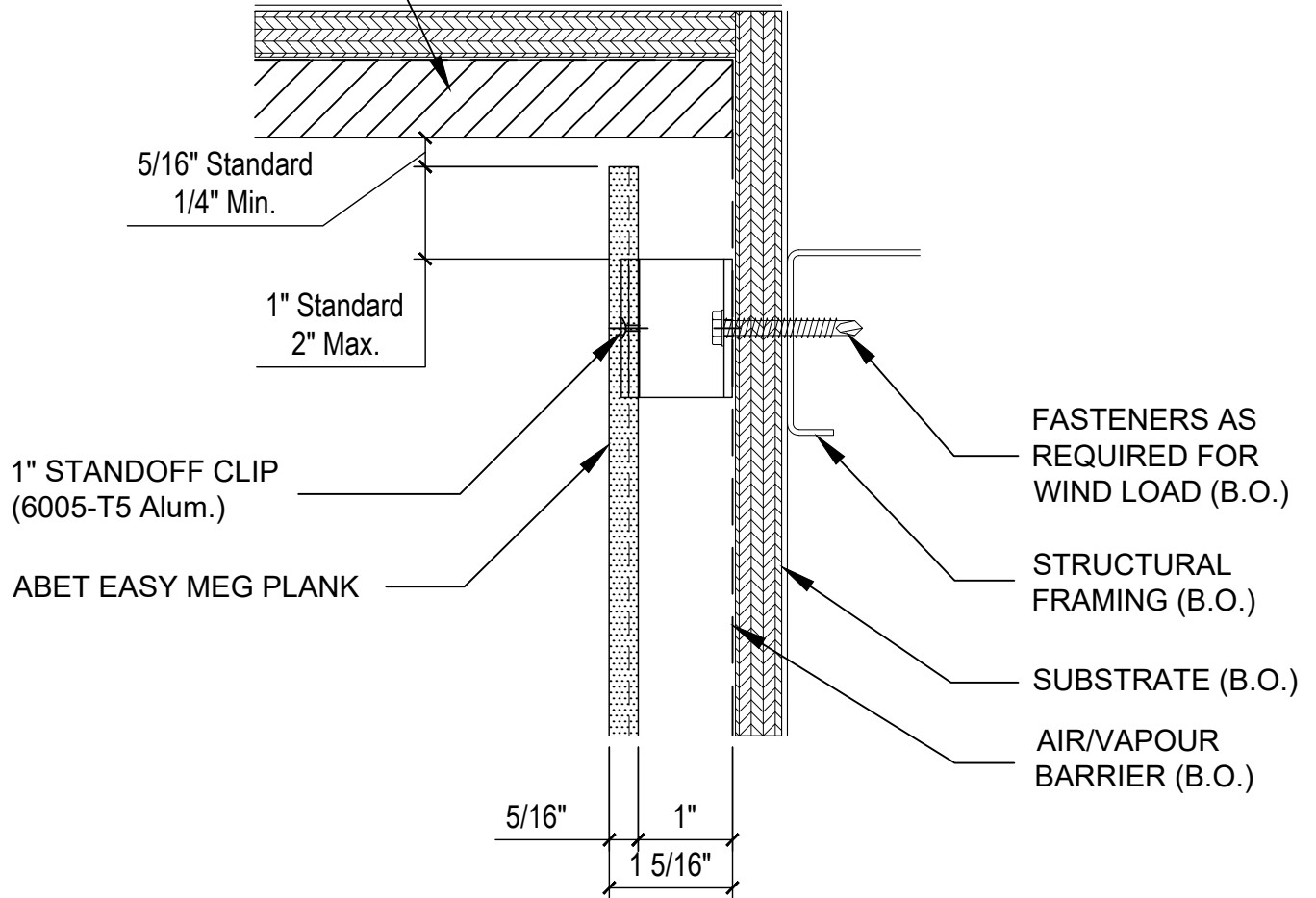


**EASYMEG**  
 ABET LAMINATI

△	ANNOTATION CHANGES	08/16/2024
△	STANDARD DETAIL CREATION	06/15/2023
REV.	ISSUANCE	DATE

DETAIL NAME:		
HORIZONTAL TRANSITION DETAIL @ ARCH. PANEL (U)		
DWG. BY: ACE	CHK. BY: ACE	PG. NO: 26 OF 28

WALL STRUCTURE/  
MATERIALS (B.O.)



**EASYMEG**  
ABET LAMINATI



ANNOTATION CHANGES

08/16/2024



STANDARD DETAIL CREATION

06/15/2023

REV.

ISSUANCE

DATE

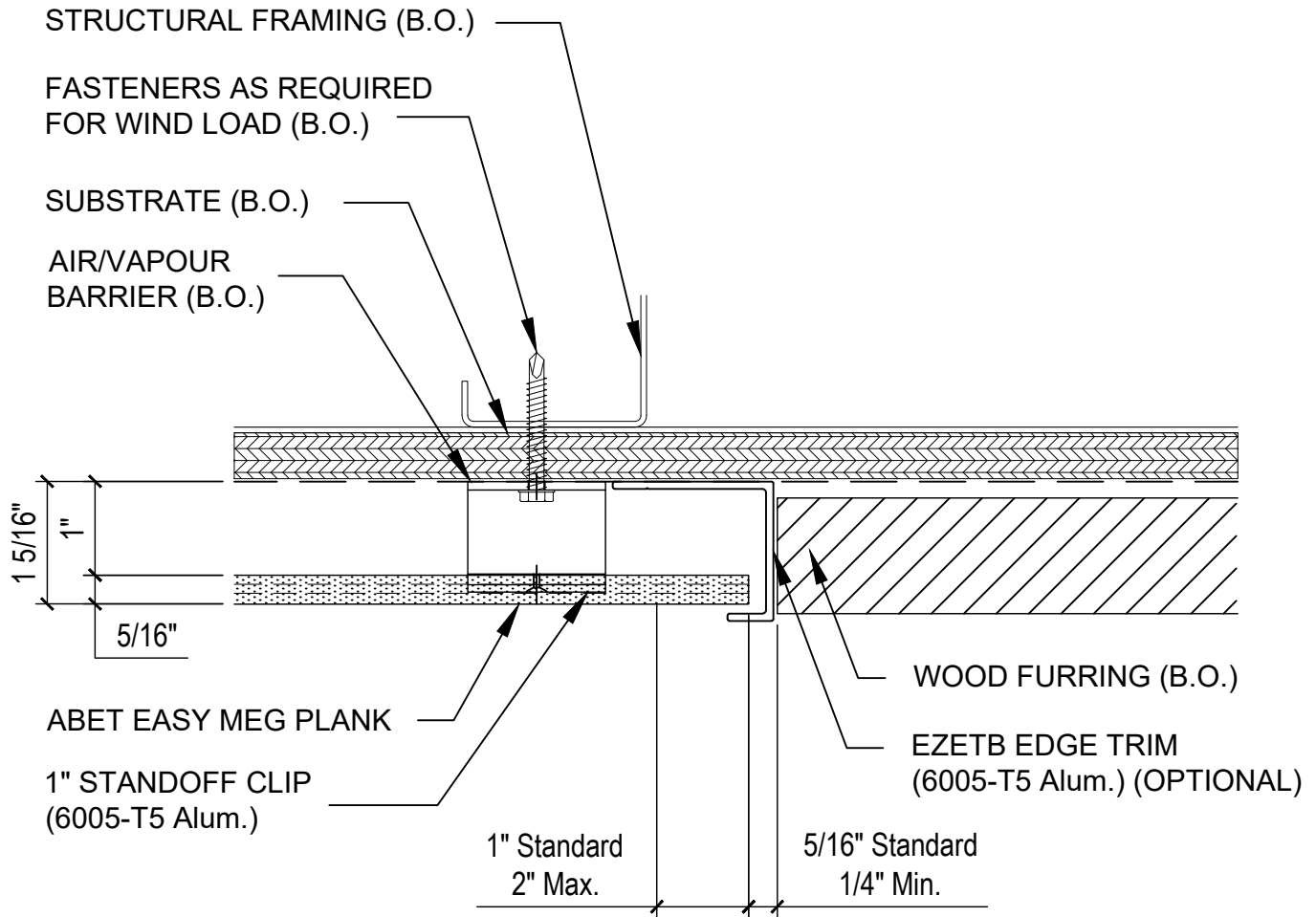
DETAIL NAME:

**VERTICAL TRANSITION  
DETAIL @ ARCH. PANEL (V)**

DWG. BY: ACE

CHK. BY: ACE

PG. NO: 27 OF 28



**EASYMEG**  
ABET LAMINATI



ANNOTATION CHANGES

08/16/2024



STANDARD DETAIL CREATION

06/15/2023

REV.

ISSUANCE

DATE

DETAIL NAME:

VERTICAL TRANSITION  
DETAIL @ ARCH. PANEL (W)

DWG. BY: ACE

CHK. BY: ACE

PG. NO: 28 OF 28